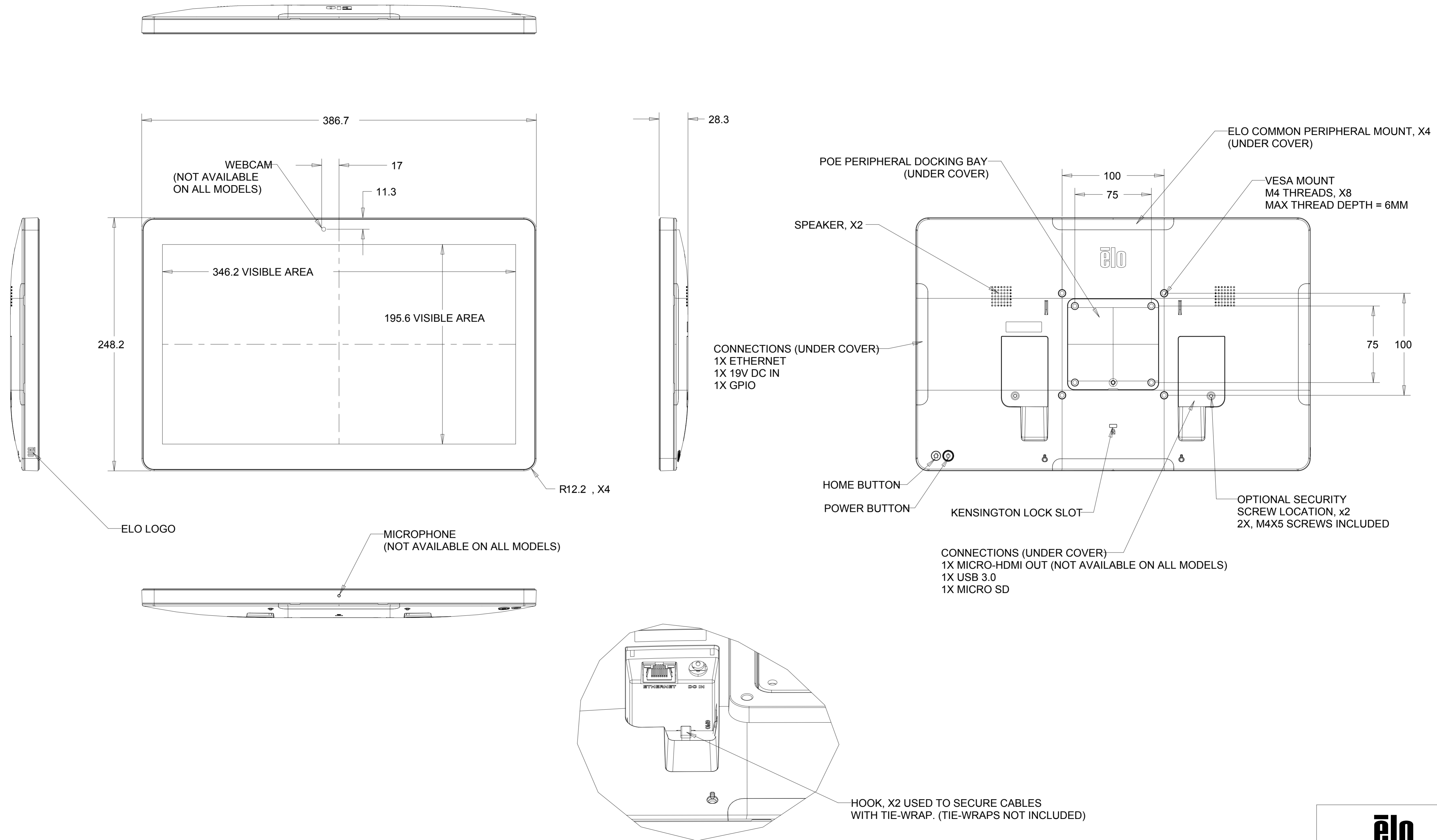


DIMENSIONAL DRAWING: 15in AAI02



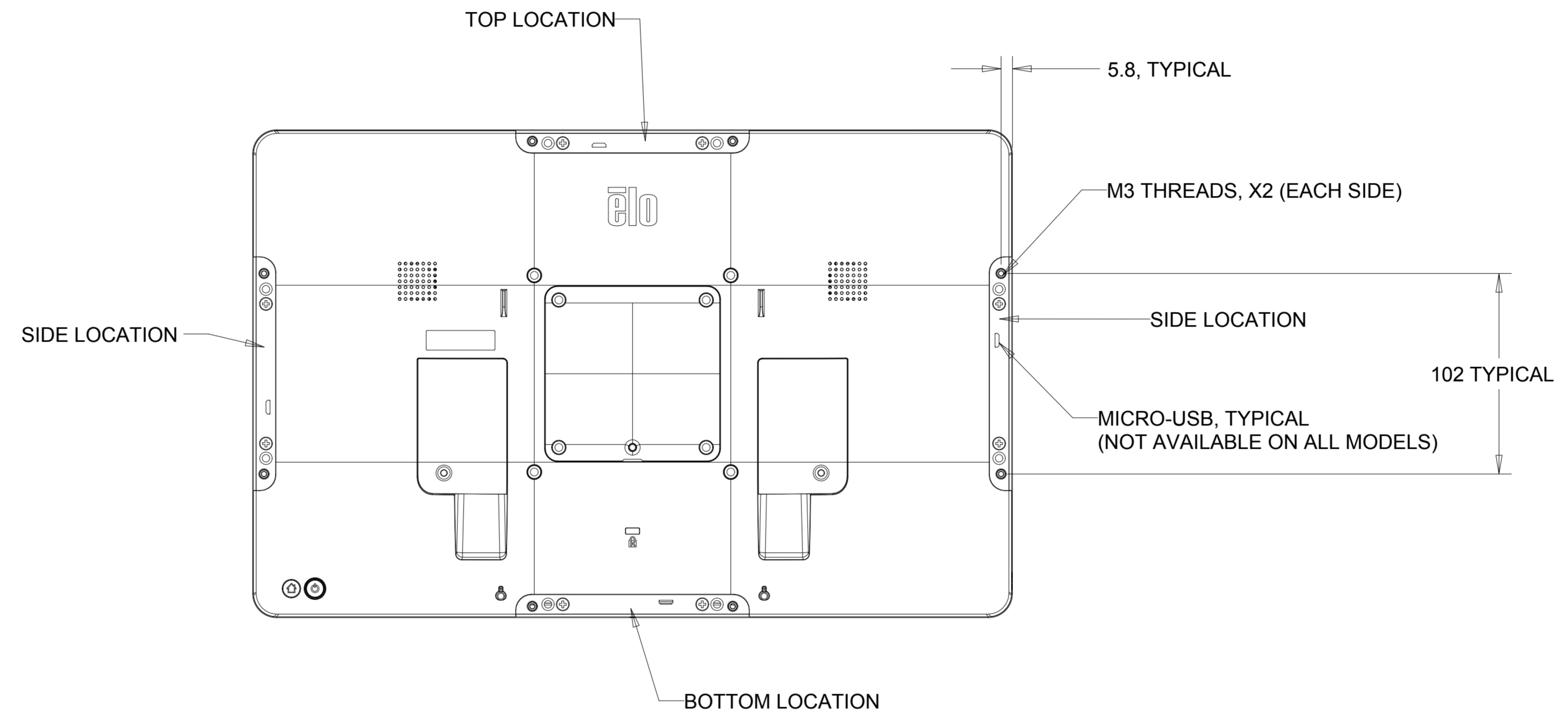
DIMENSIONS ARE IN MILLIMETERS

elo

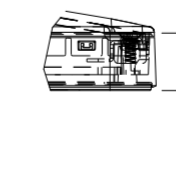
MS601904
DATE: 12/1/2017
REV: A

DIMENSIONAL DRAWING: 15in AAI02

ELO COMMON PERIPHERAL MOUNTING INTERFACE (1 PER SIDE)
(SEE WEBSITE FOR DIMENSIONAL DRAWINGS OF COMPATIBLE PERIPHERALS)



15.2 TOUCHSCREEN TO MOUNTING SURFACE



DIMENSIONS ARE IN MILLIMETERS

elo

MS601904

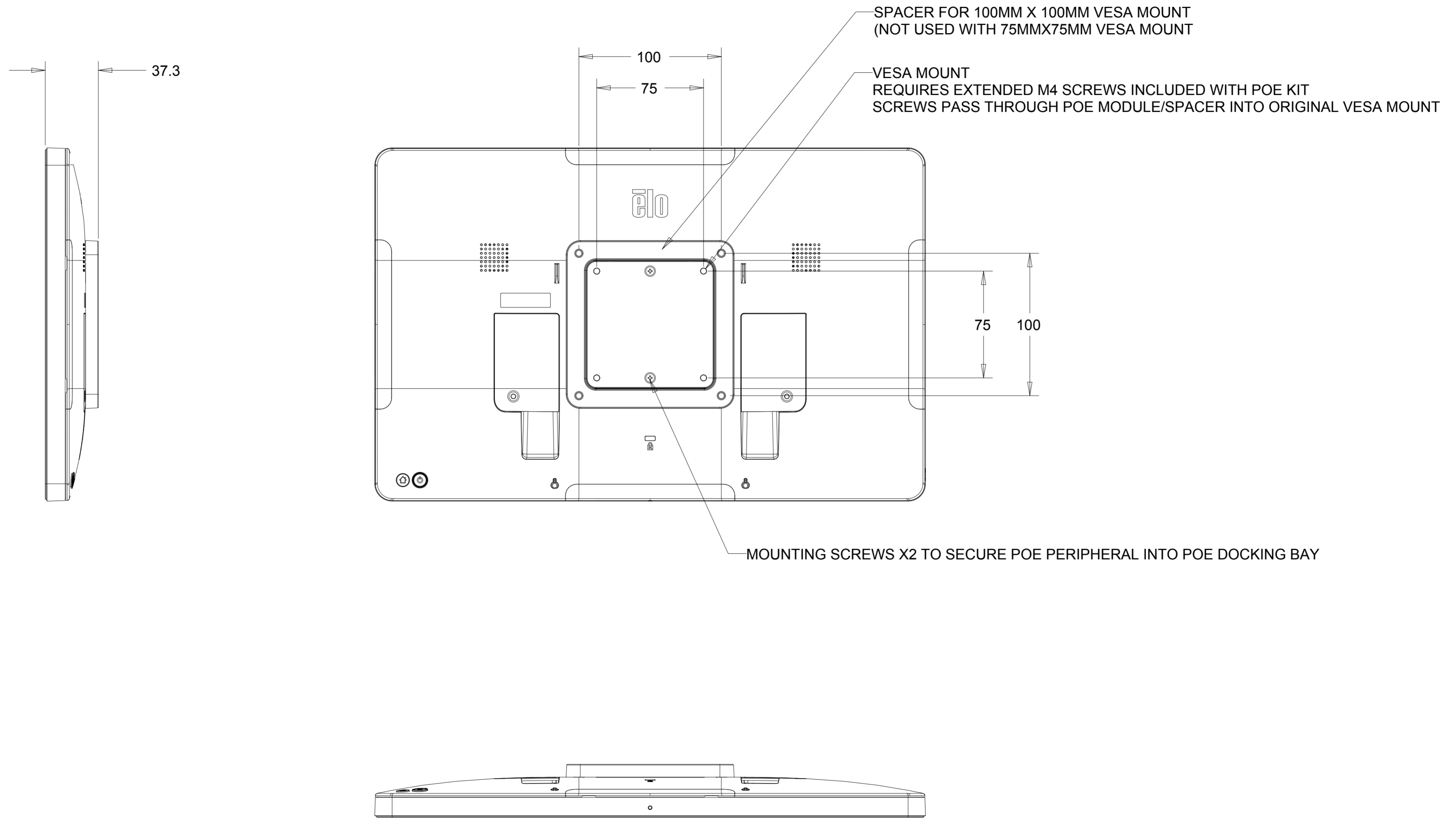
DATE: 12/1/2017

REV: A

DIMENSIONAL DRAWING: 15in AAI02

POWER OVER ETHERNET (POE) ADAPTER KIT P/N: E615169
(OPTIONAL KIT, PURCHASED SEPARATELY)
POE COVER REMOVED AND POE PERIPHERAL INSTALLED

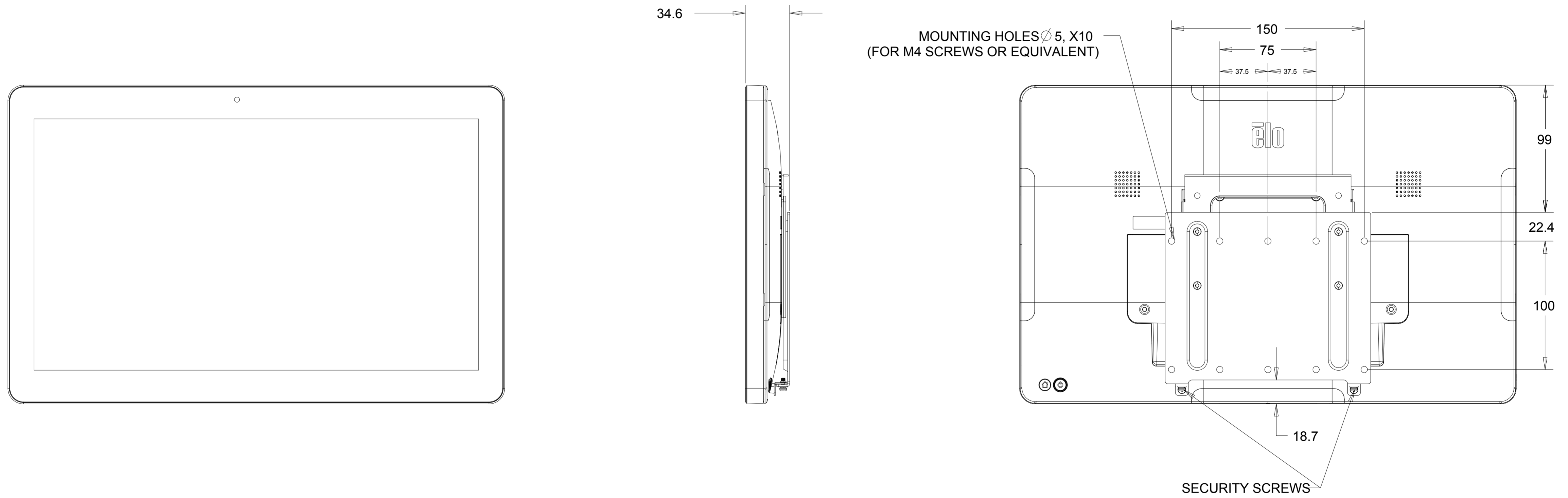
NOT COMPATIBLE WITH LOW-PROFILE WALLMOUNT (PAGE 4) P/N: E802400



DIMENSIONS ARE IN MILLIMETERS

DIMENSIONAL DRAWING: 15in AAI02

LOW-PROFILE WALLMOUNT KIT P/N: E802400
(OPTIONAL KIT, PURCHASED SEPARATELY)
NOT COMPATIBLE WITH POE ADAPTER KIT (PAGE 3) P/N: E615619



DIMENSIONS ARE IN MILLIMETERS

elo

MS601904

DATE: 12/1/2017

REV: A