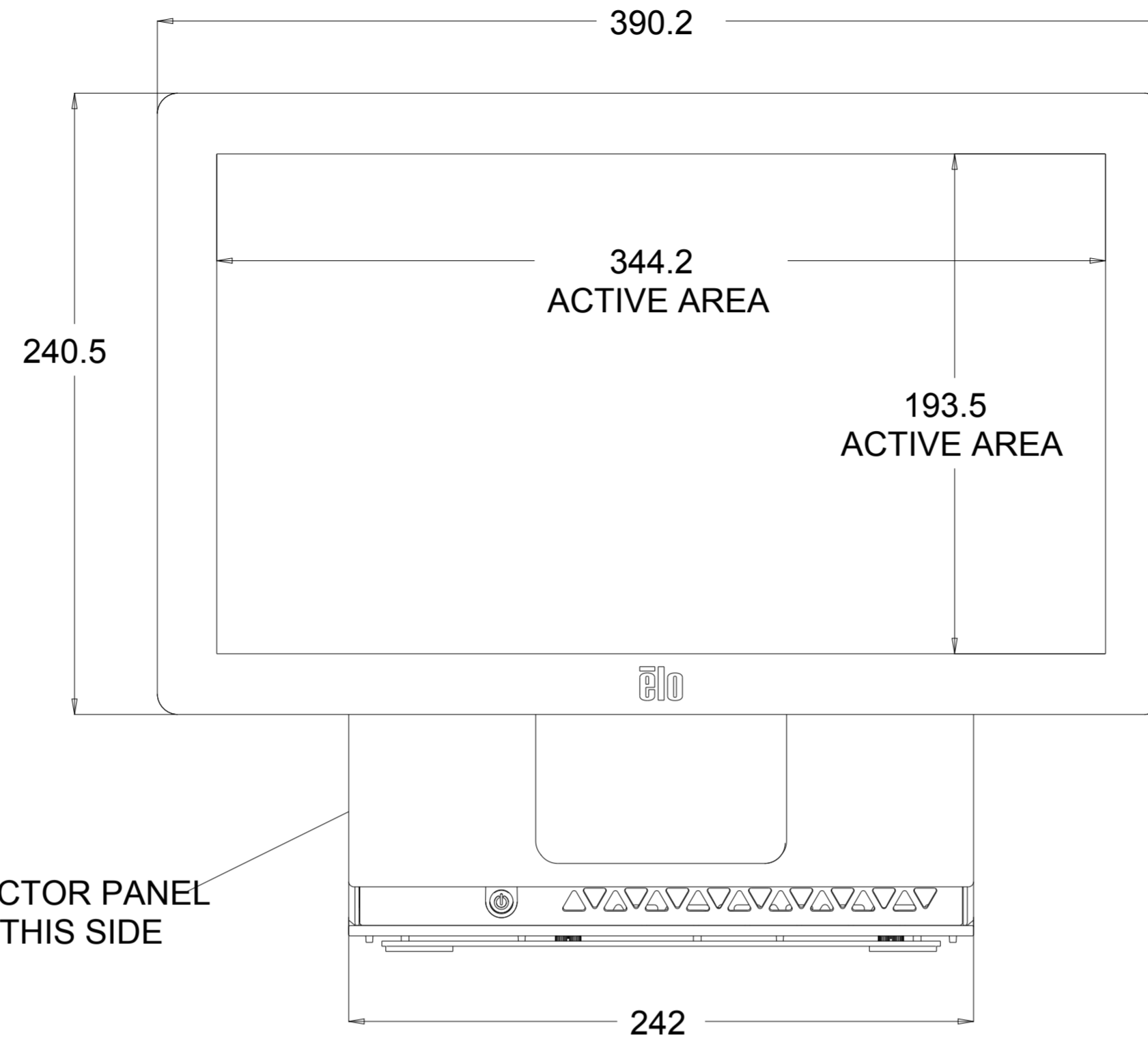
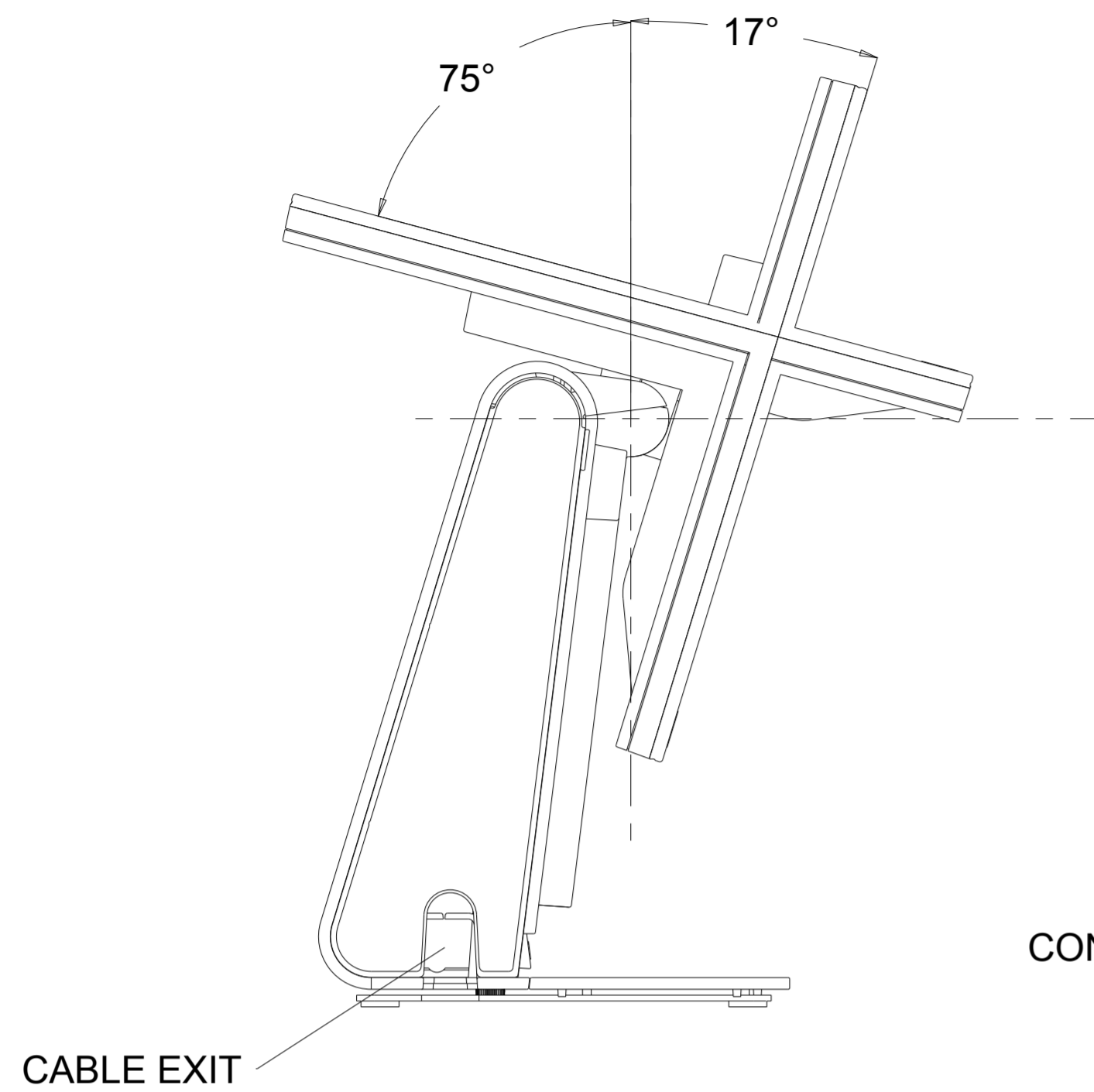
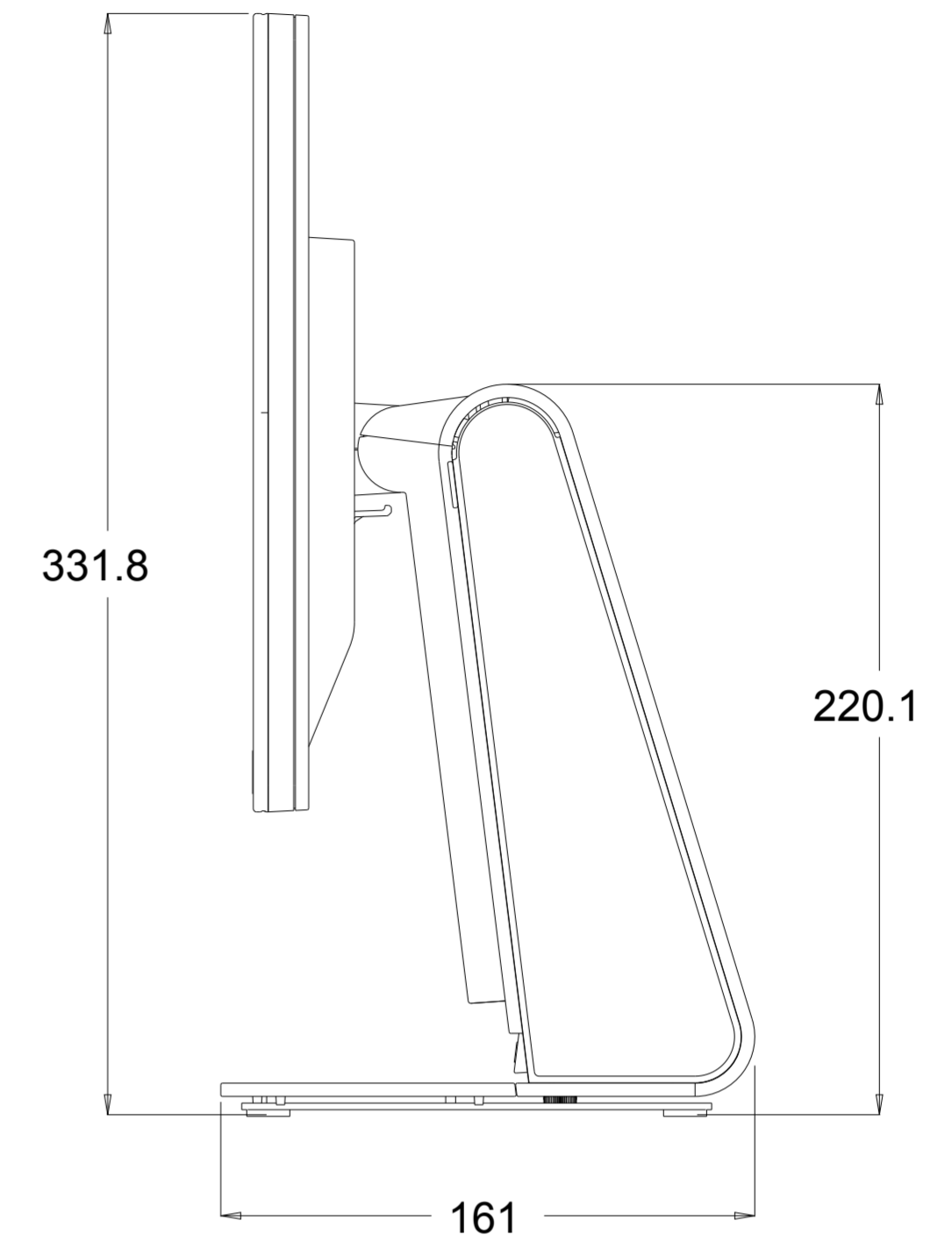


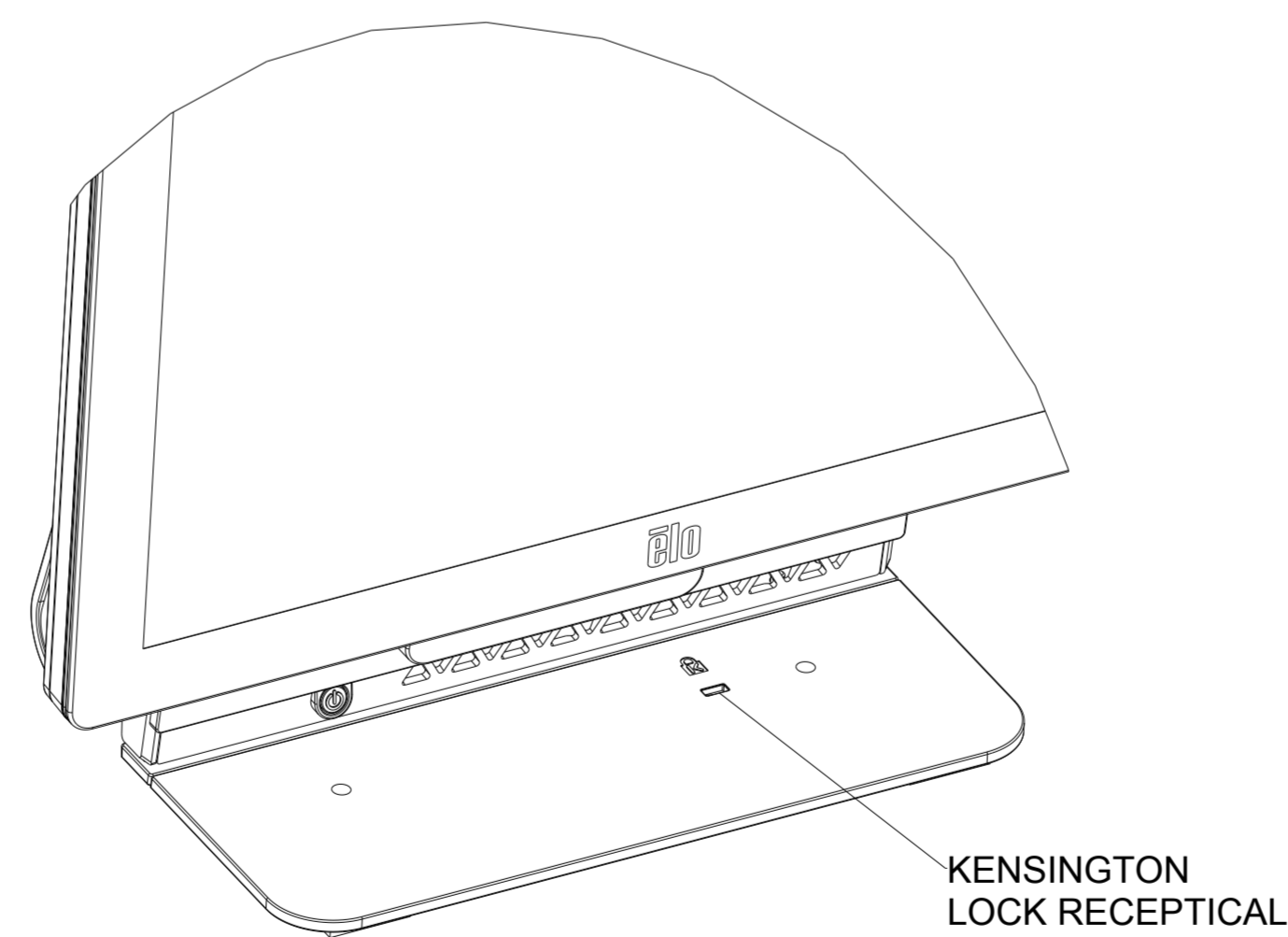
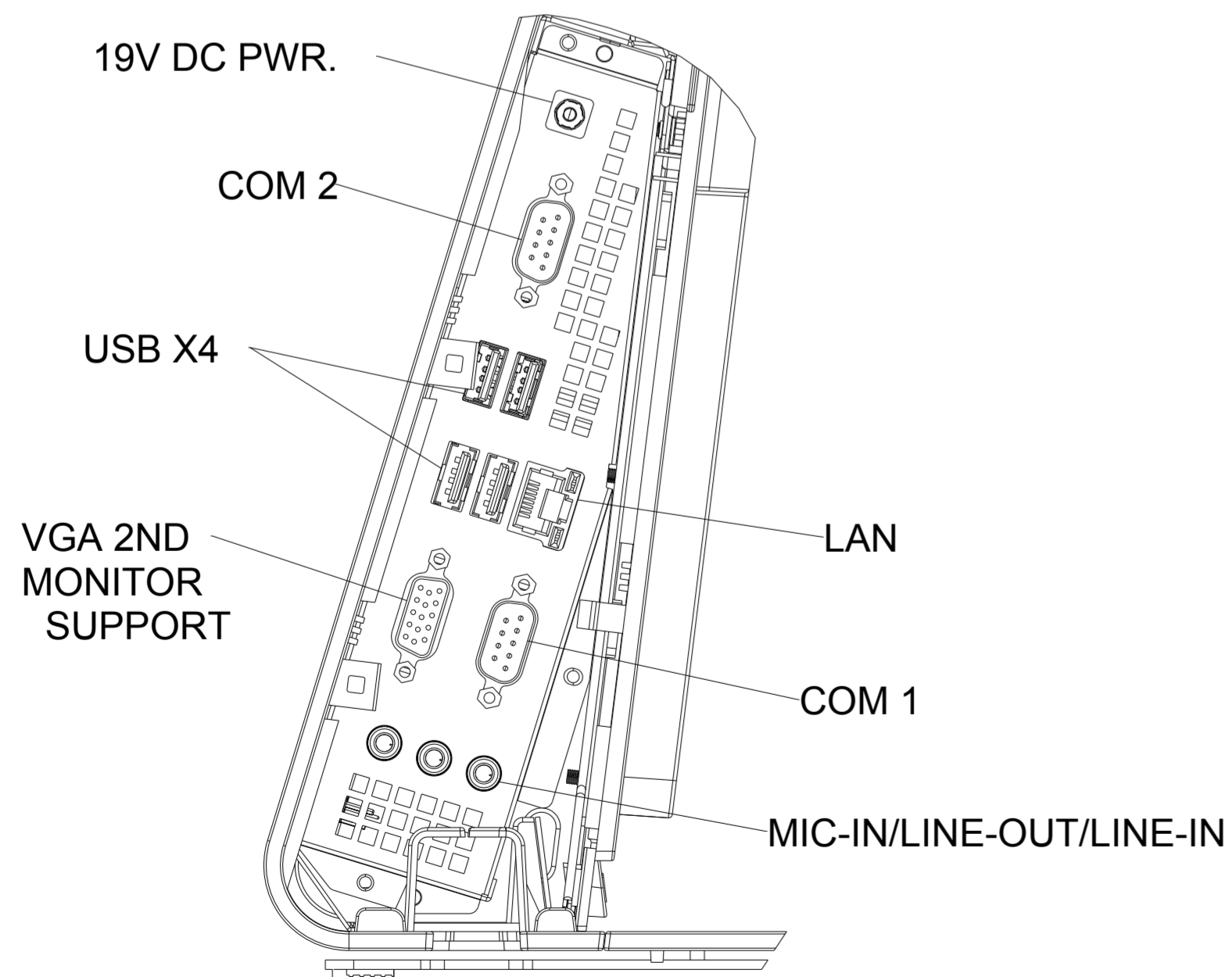
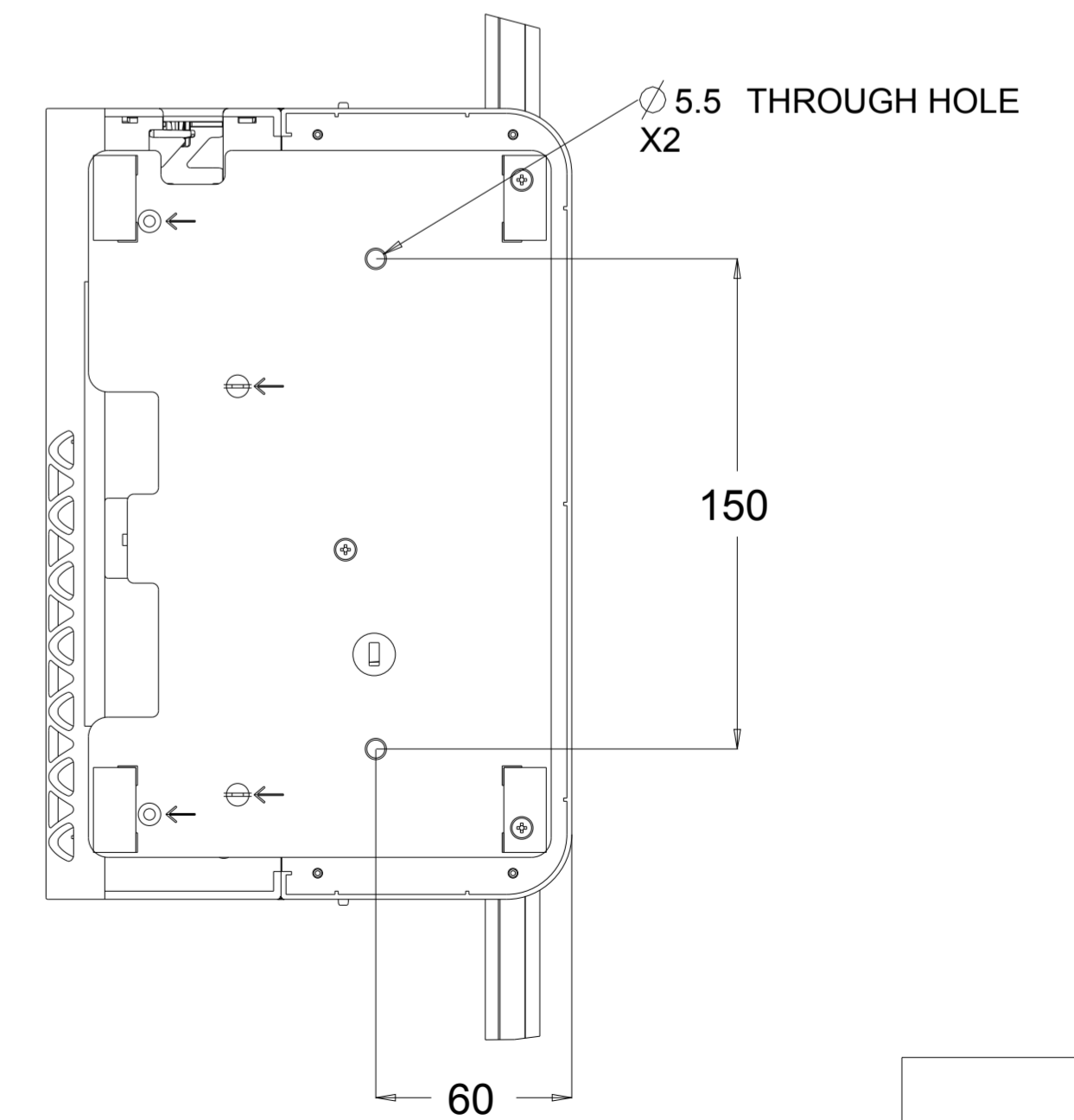
DIMENSIONAL DRAWING, E-SERIES REV-C



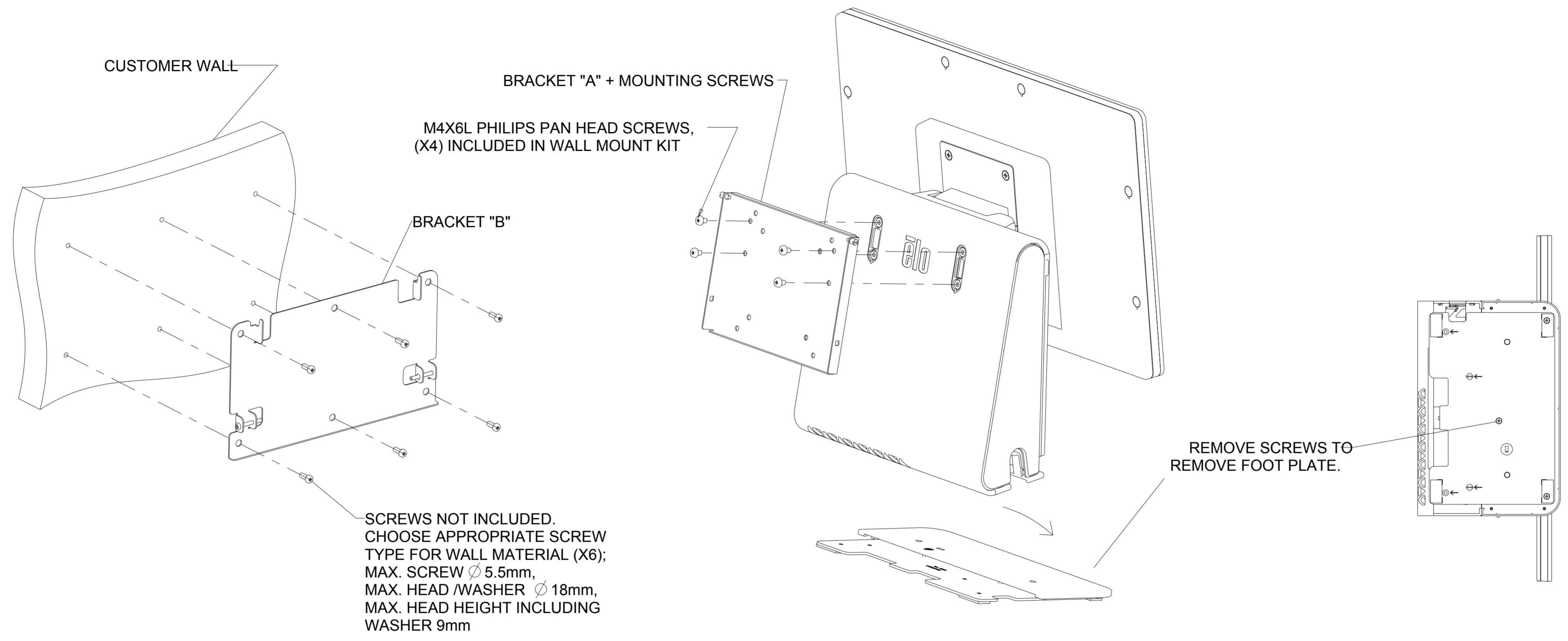
CONNECTOR PANEL
THIS SIDE



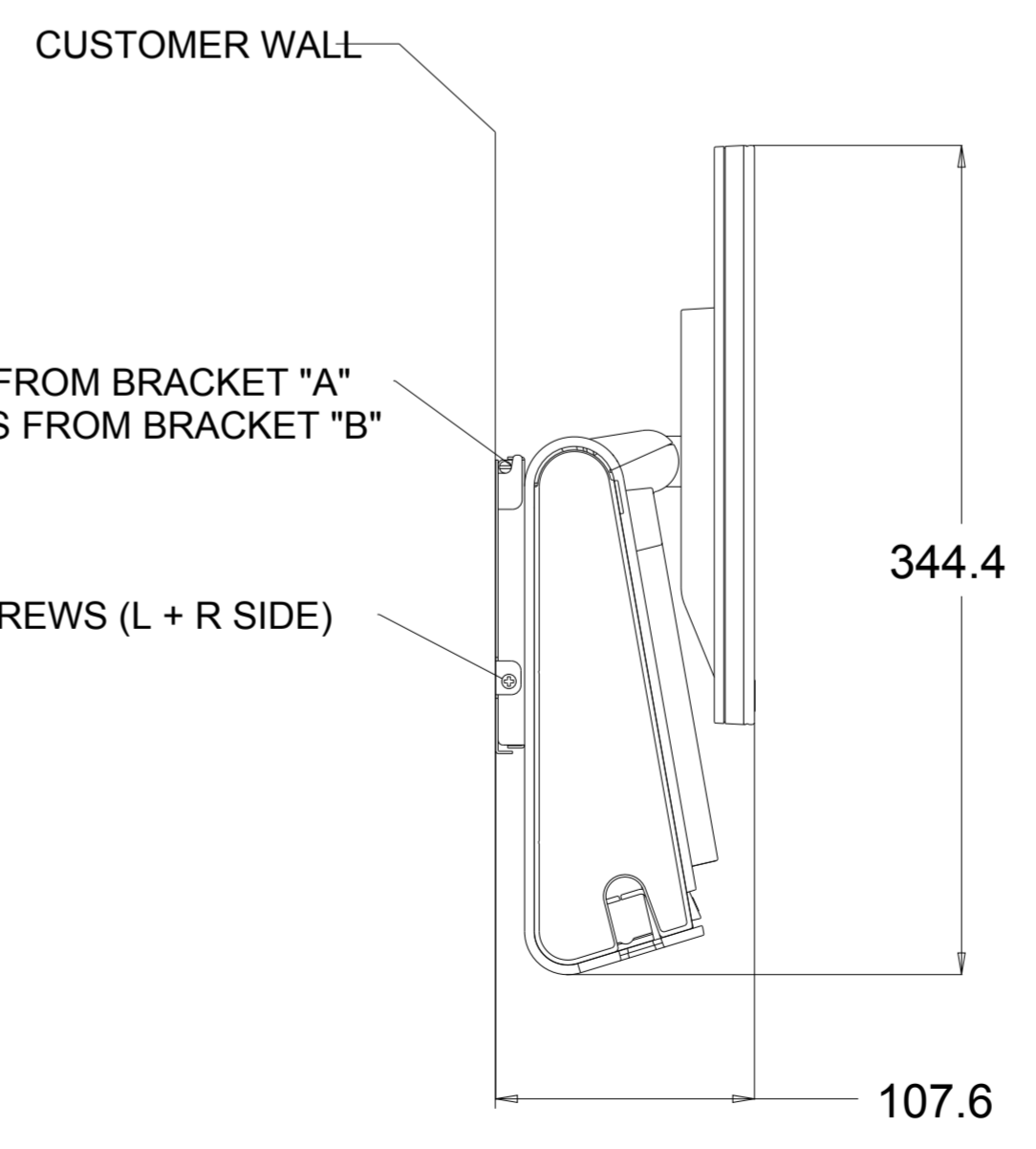
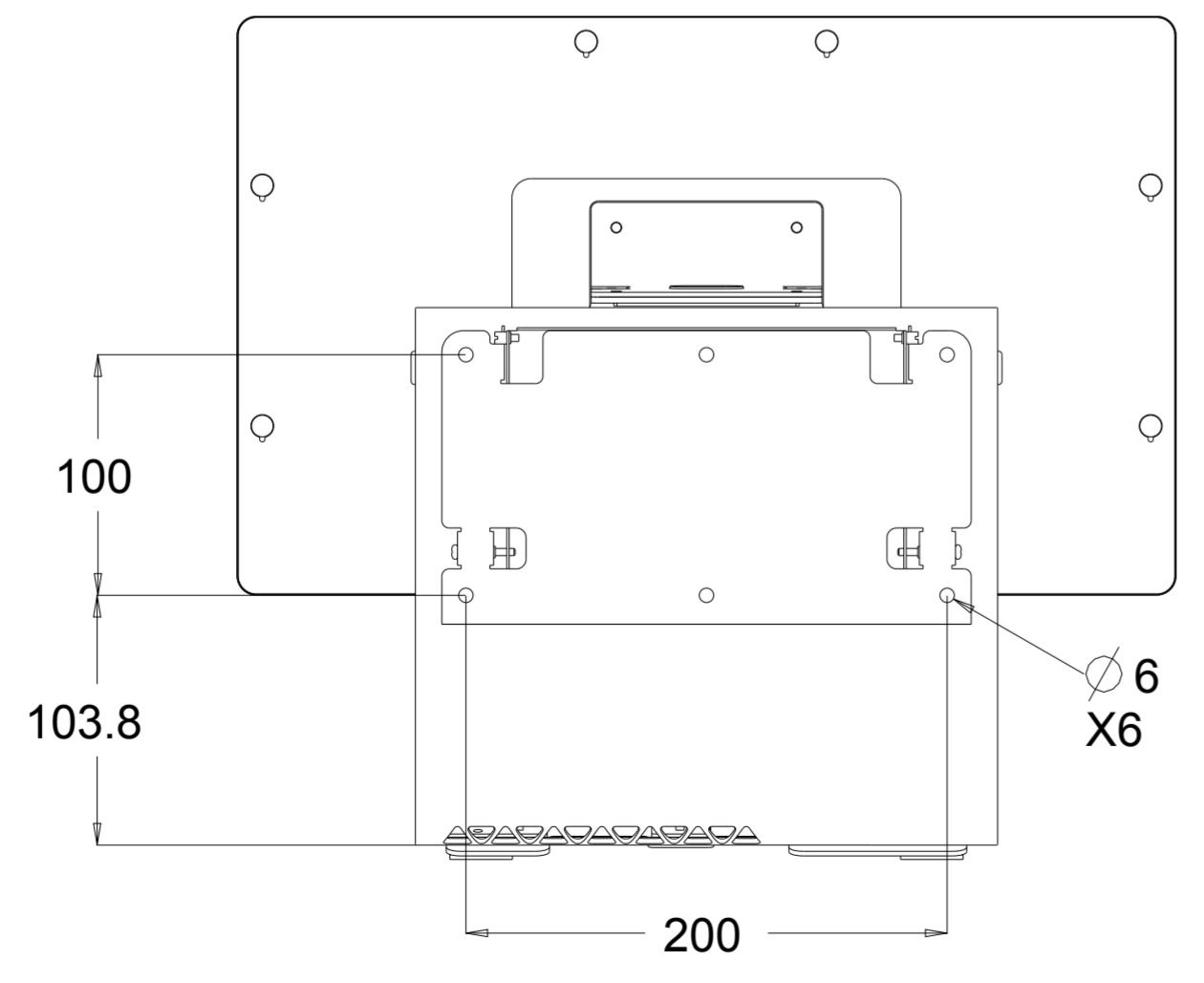
MOUNTING HOLES AVAILABLE



WALL MOUNT WITH OPTIONAL BRACKET ASSEMBLY

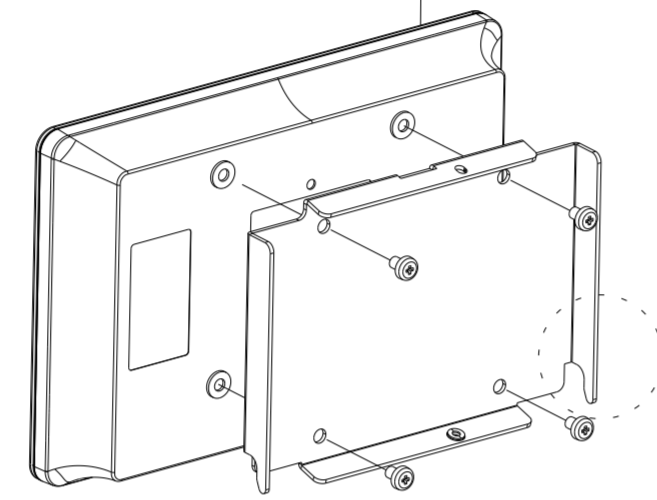


DIMENSIONS FROM BRACKET "B" TO COMPUTER WHEN MOUNTED TO WALL.



2ND MONITOR MOUNT WITH OPTIONAL BRACKET ASSEMBLY

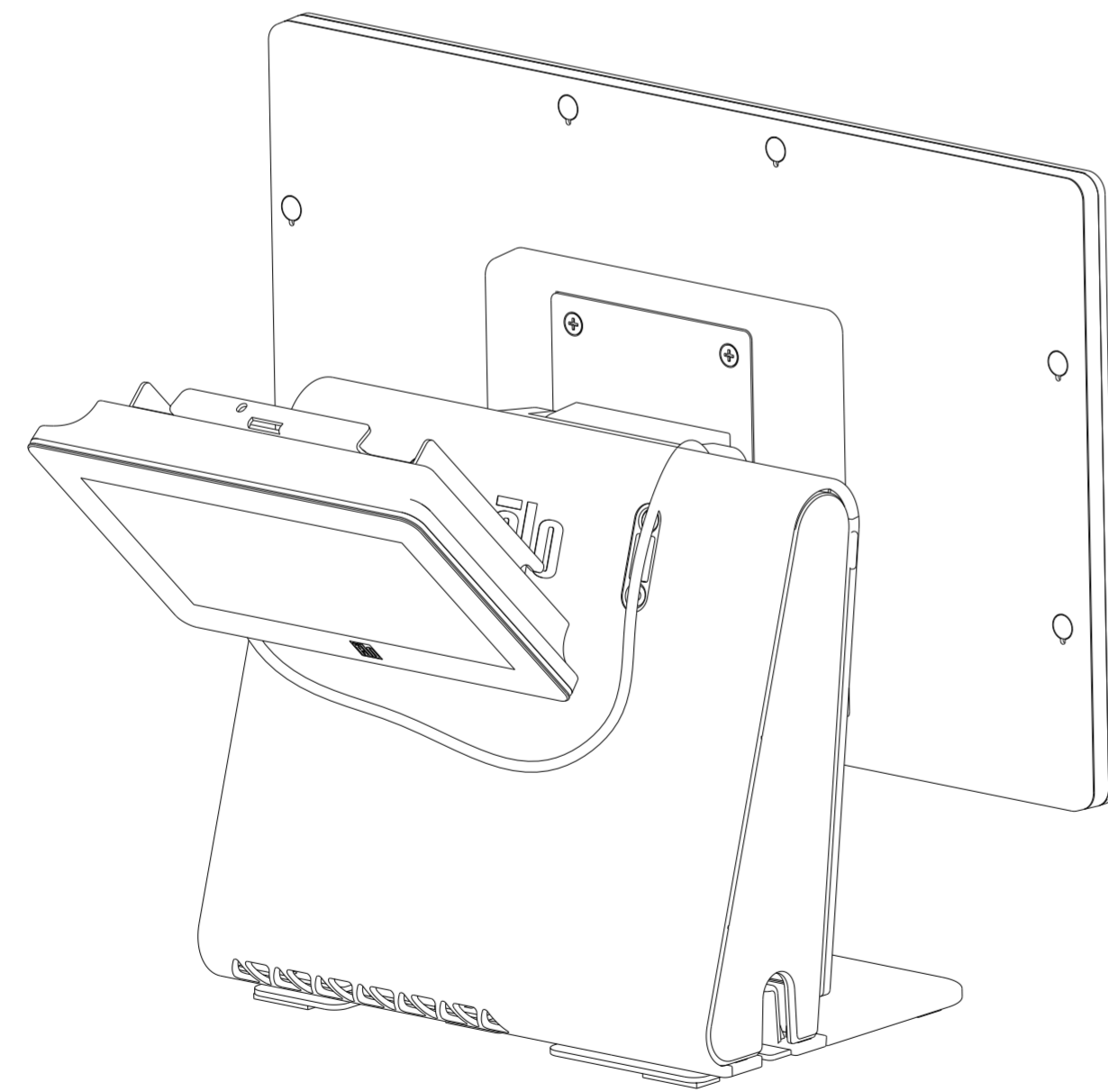
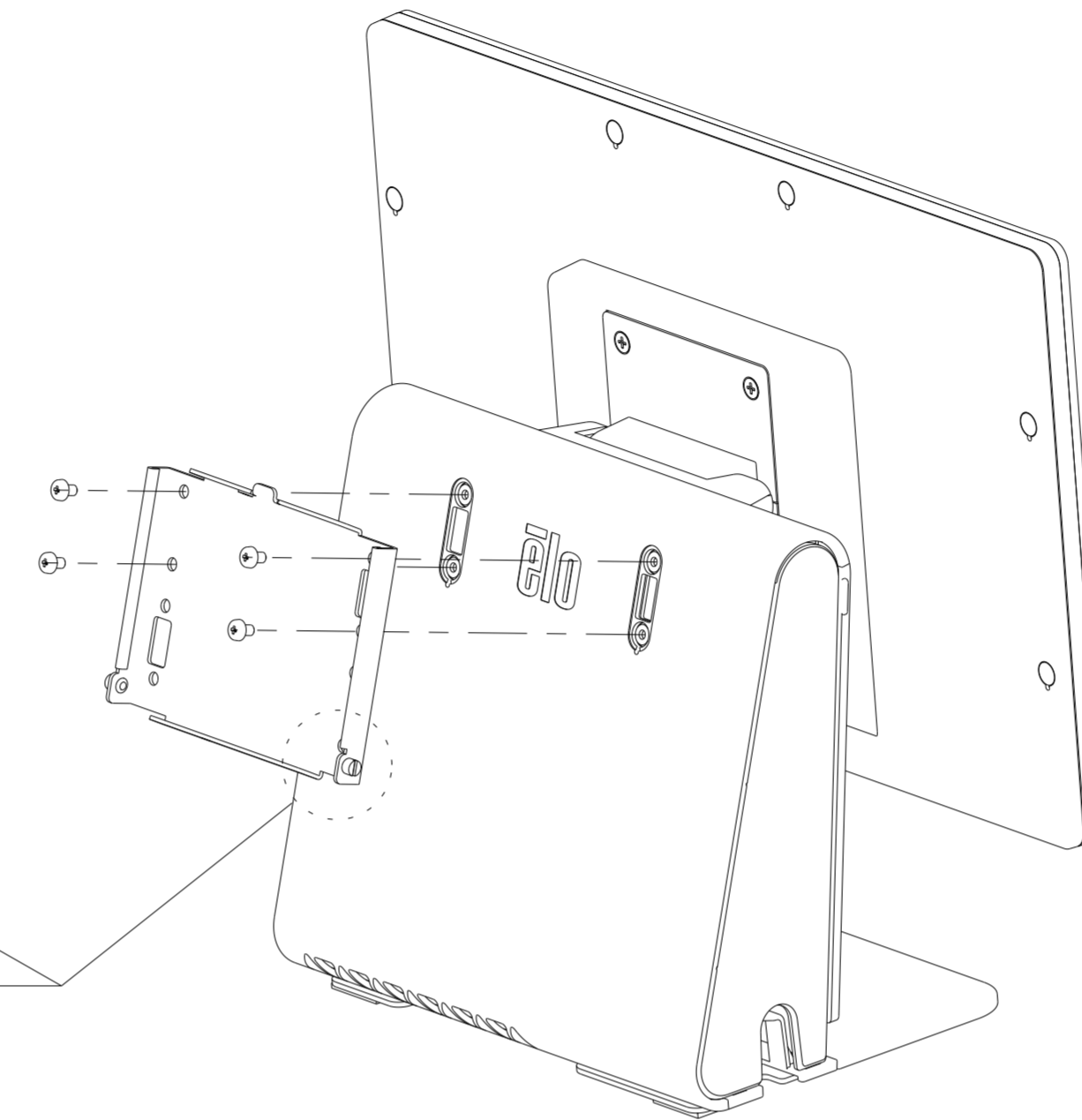
OPTIONAL ET0700
MONITOR / TOUCH MONITOR
SHOWN AS REFERENCE



ATTACHED MOUNTING PLATE
(PLATE HAS 75X75mm VESA HOLE PATTERN)
TO MONITOR WITH (4)
M4 SCREWS PROVIDED

HOOK AND PIN
FACE DOWN

STEP 1



ROUT MONITOR CABLE
TO FRONT OF UNIT

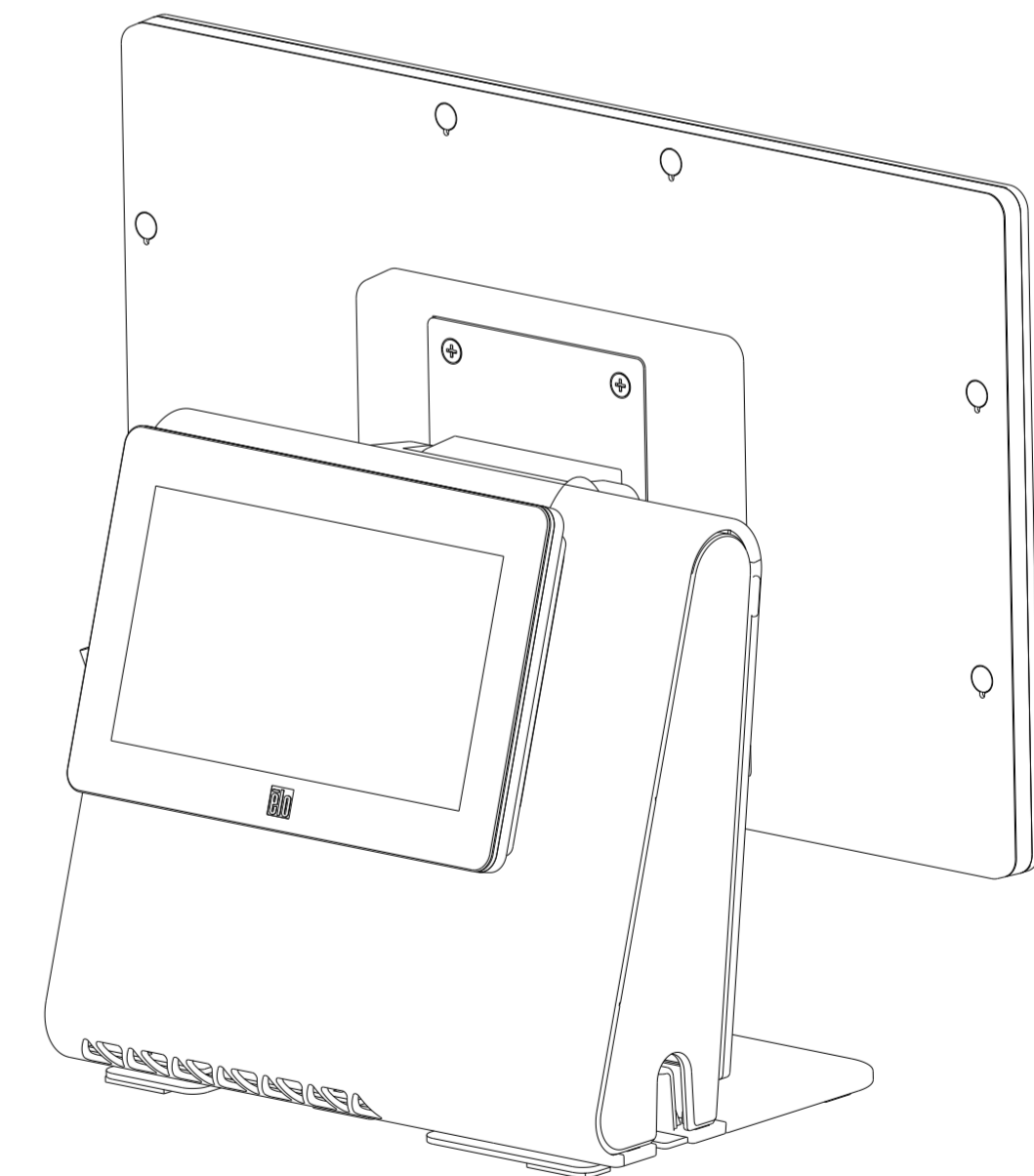
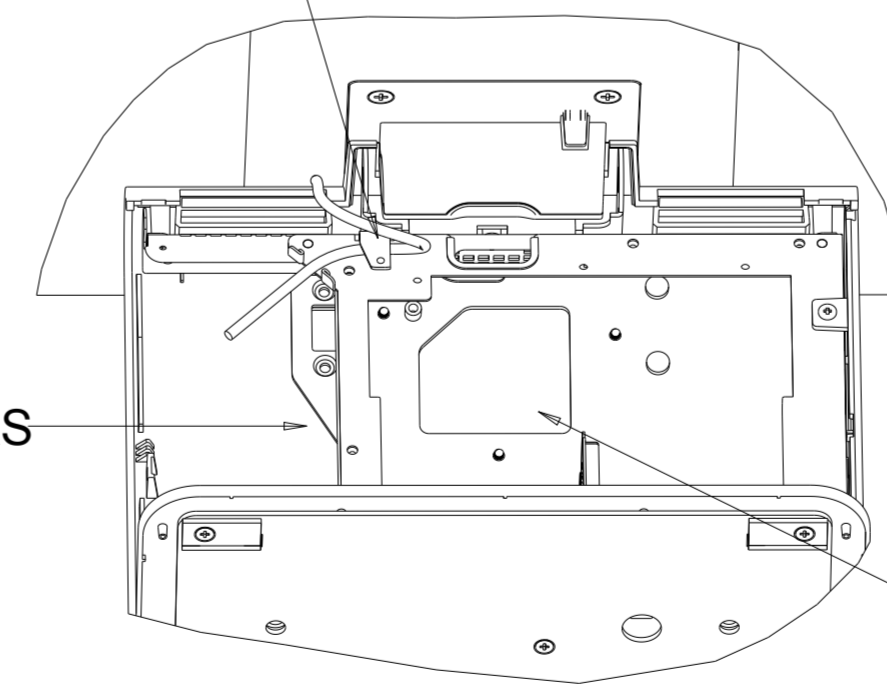
STEP 2

ROUT MONITOR CABLE
UNDER CLIP
(BEHIND FRONT COVER)

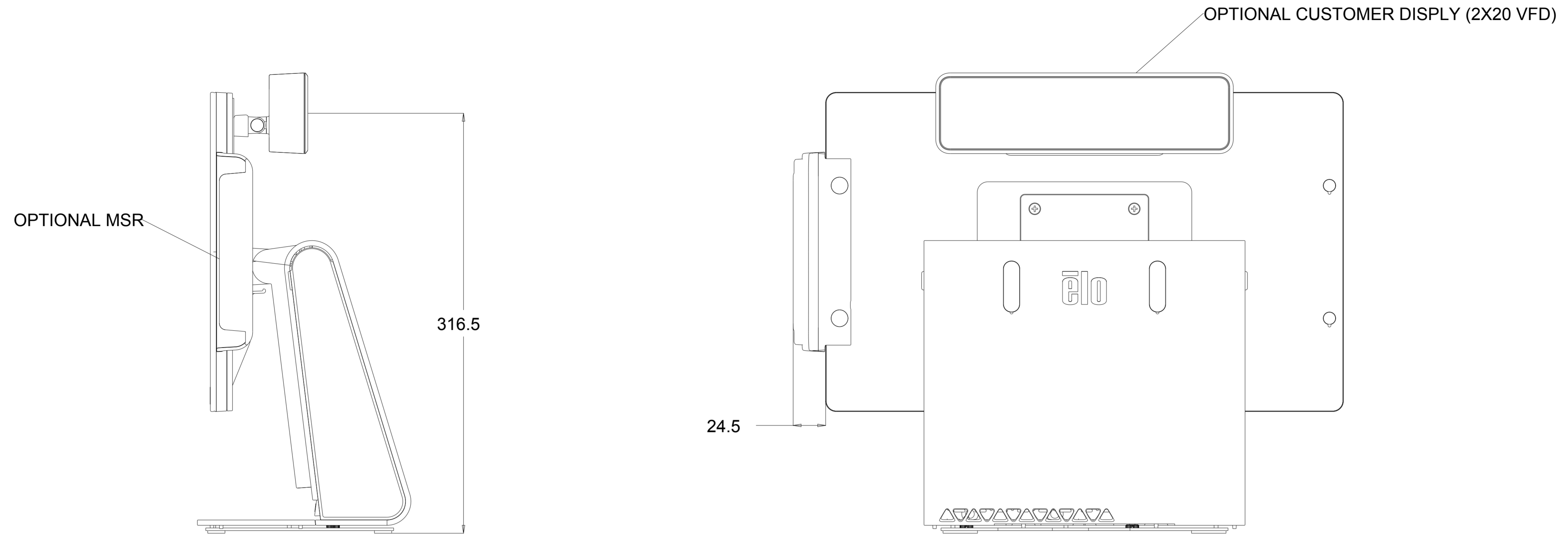
I/O CONNECTORS

SHOWN WITH FRONT
COVER REMOVED

STEP 3



ACCESSORY MOUNTING DETAILS:



ACCESSORY CABLE ROUTING DETAILS:

