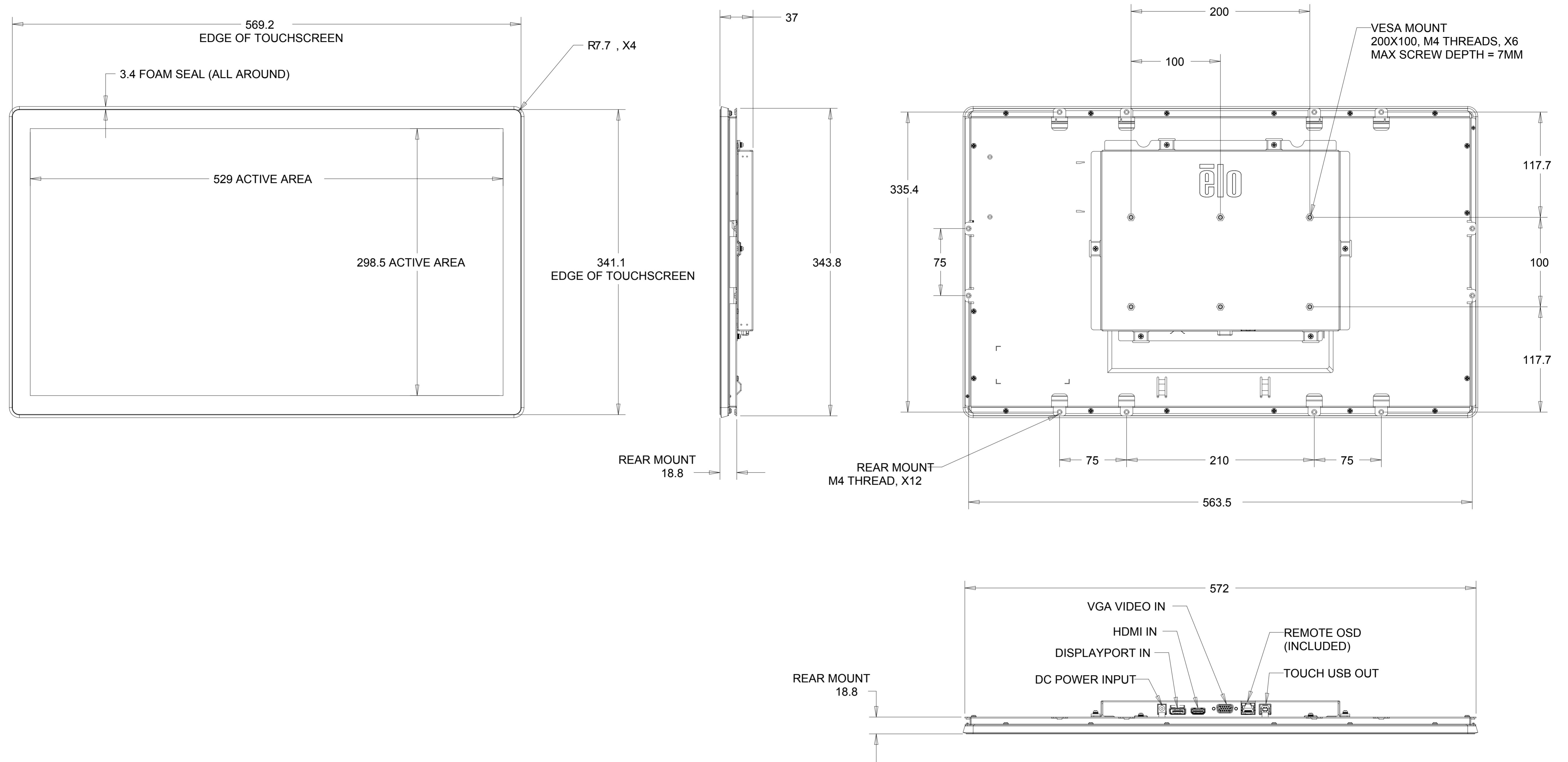
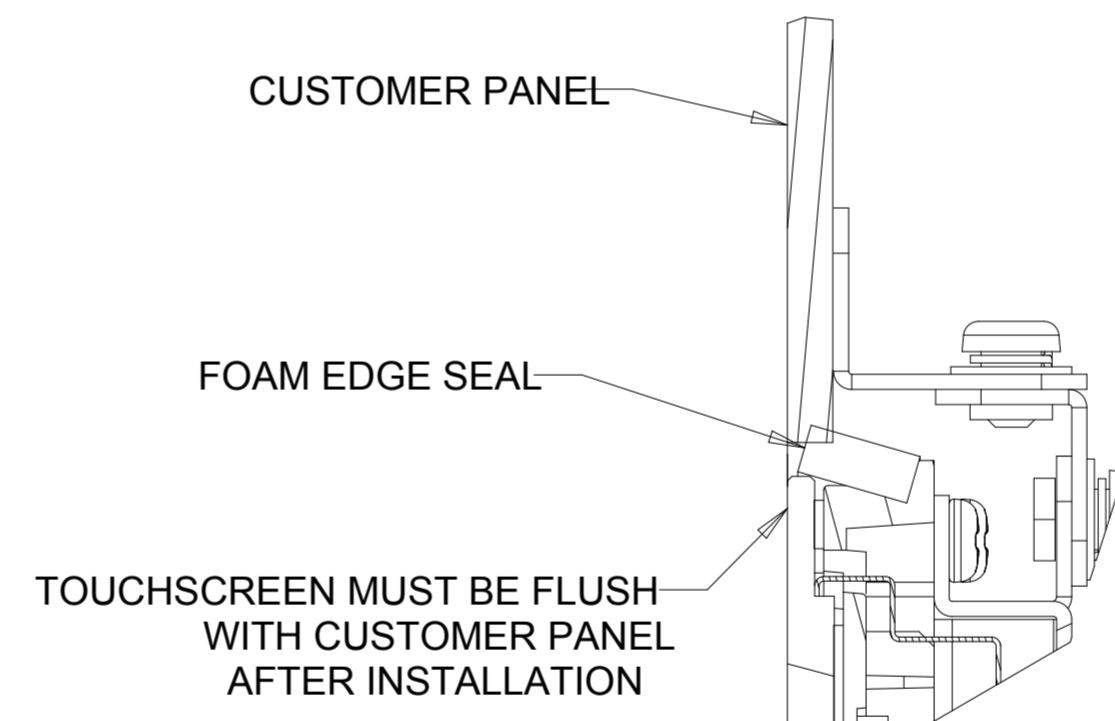
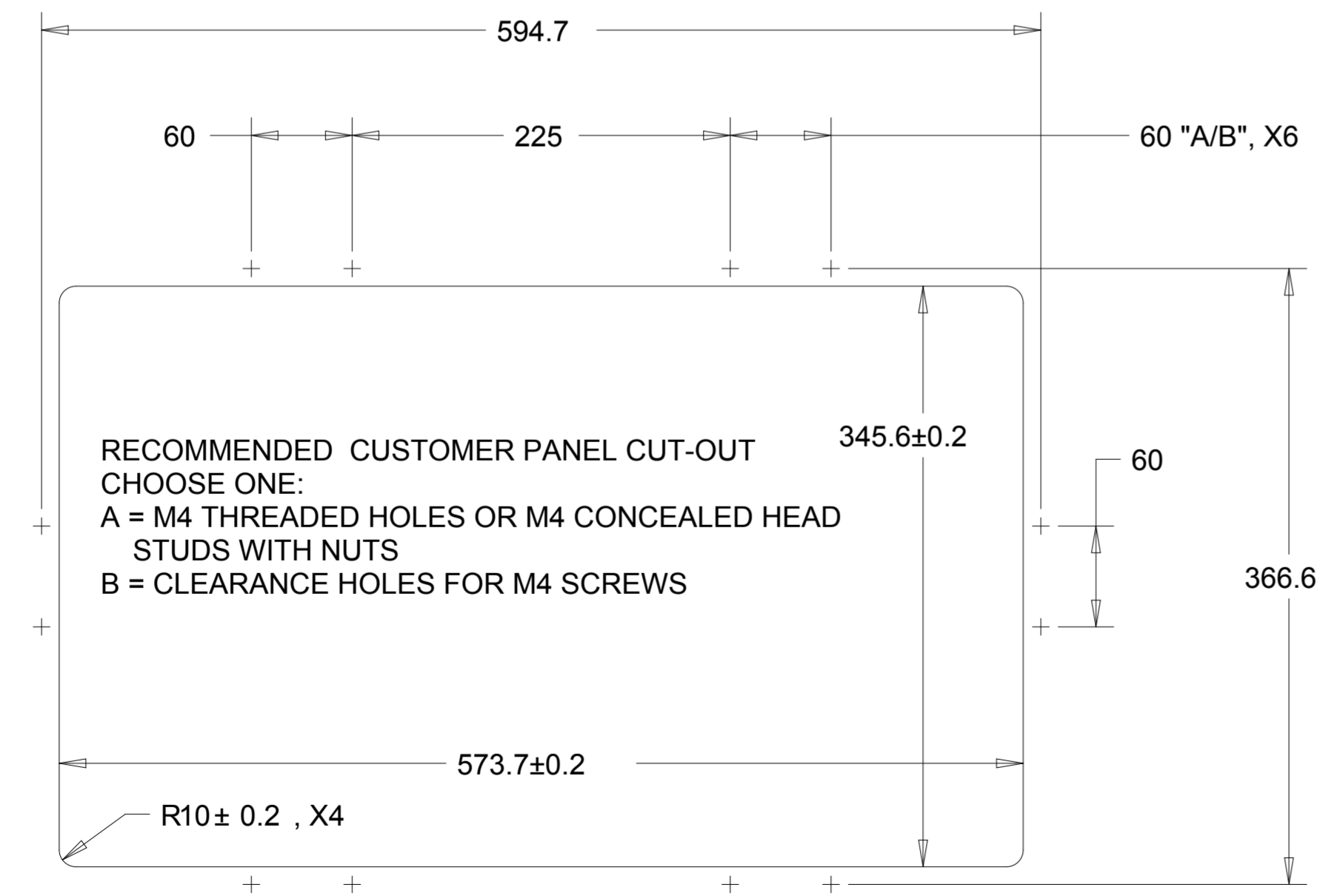
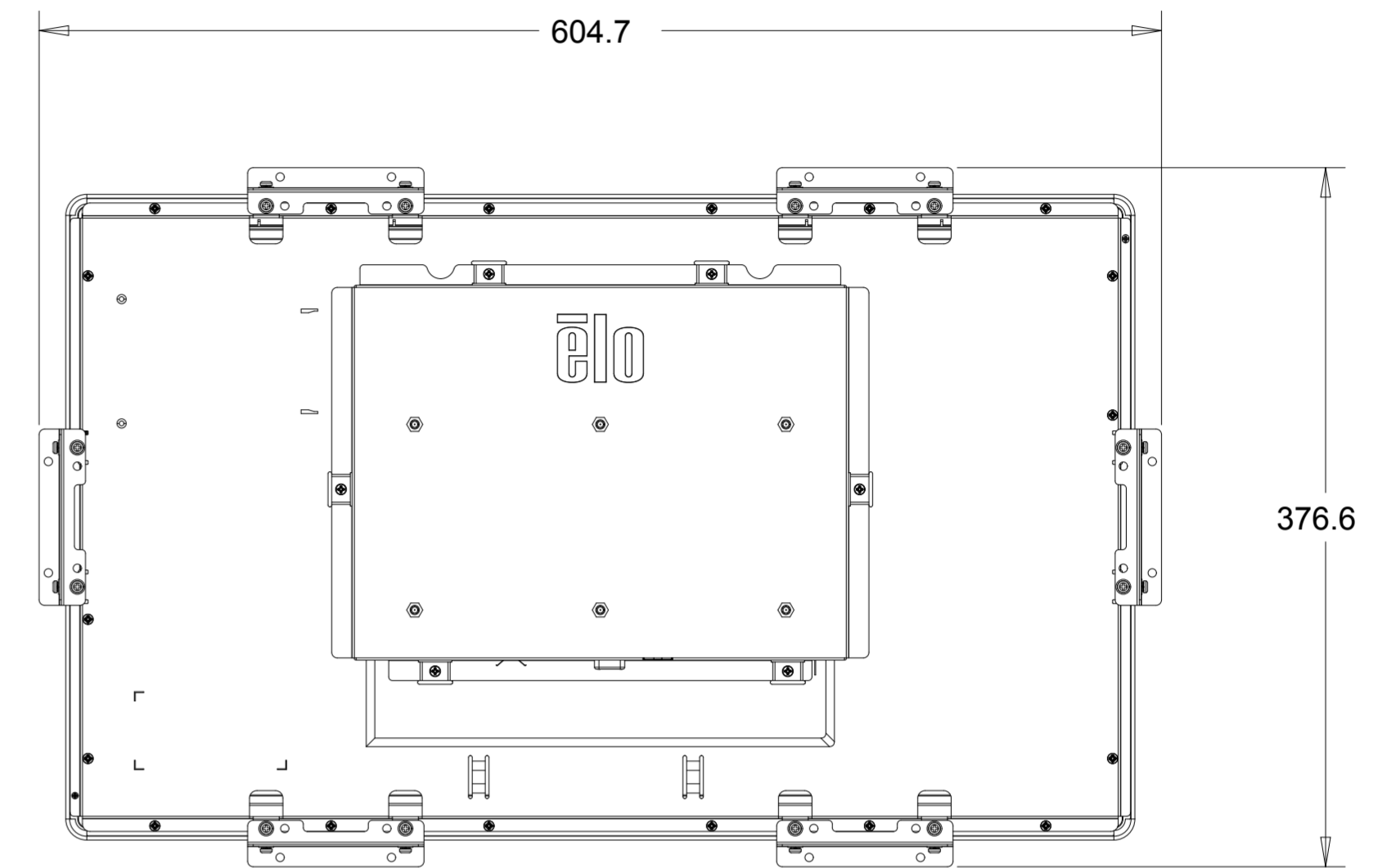
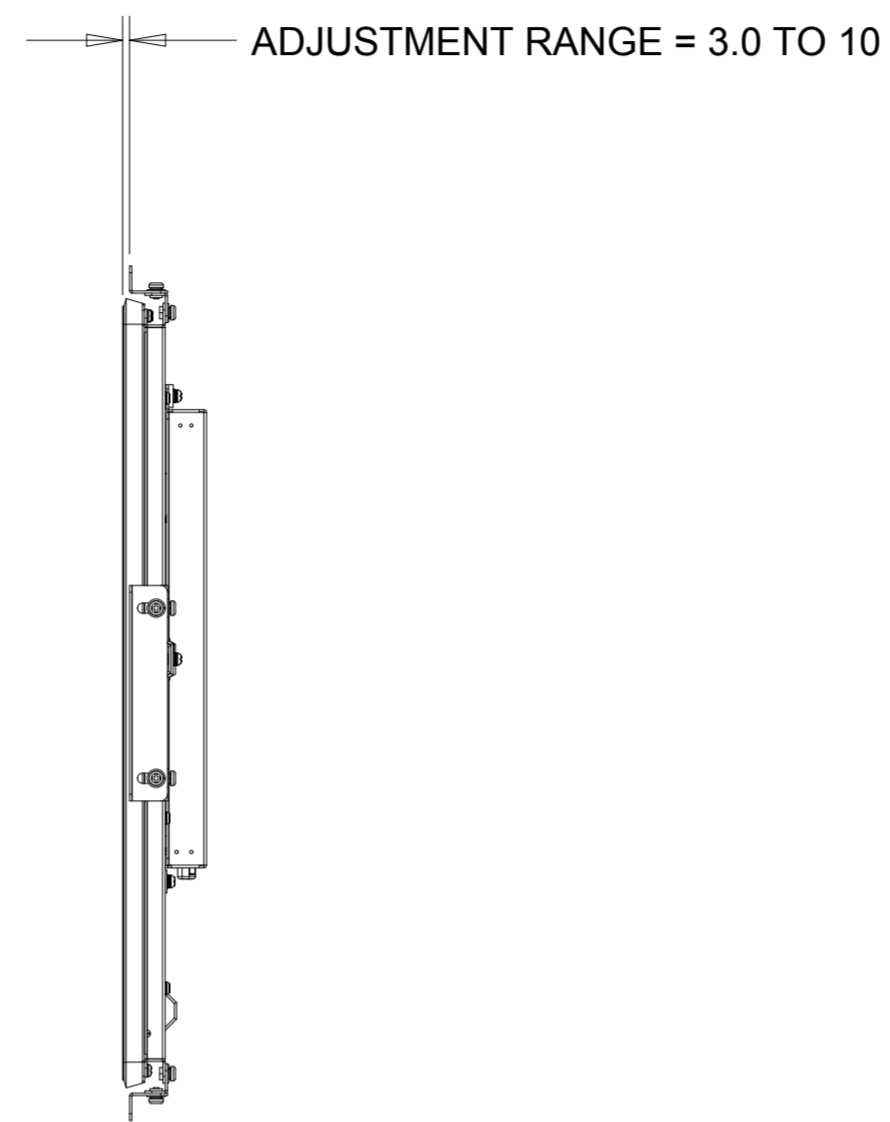
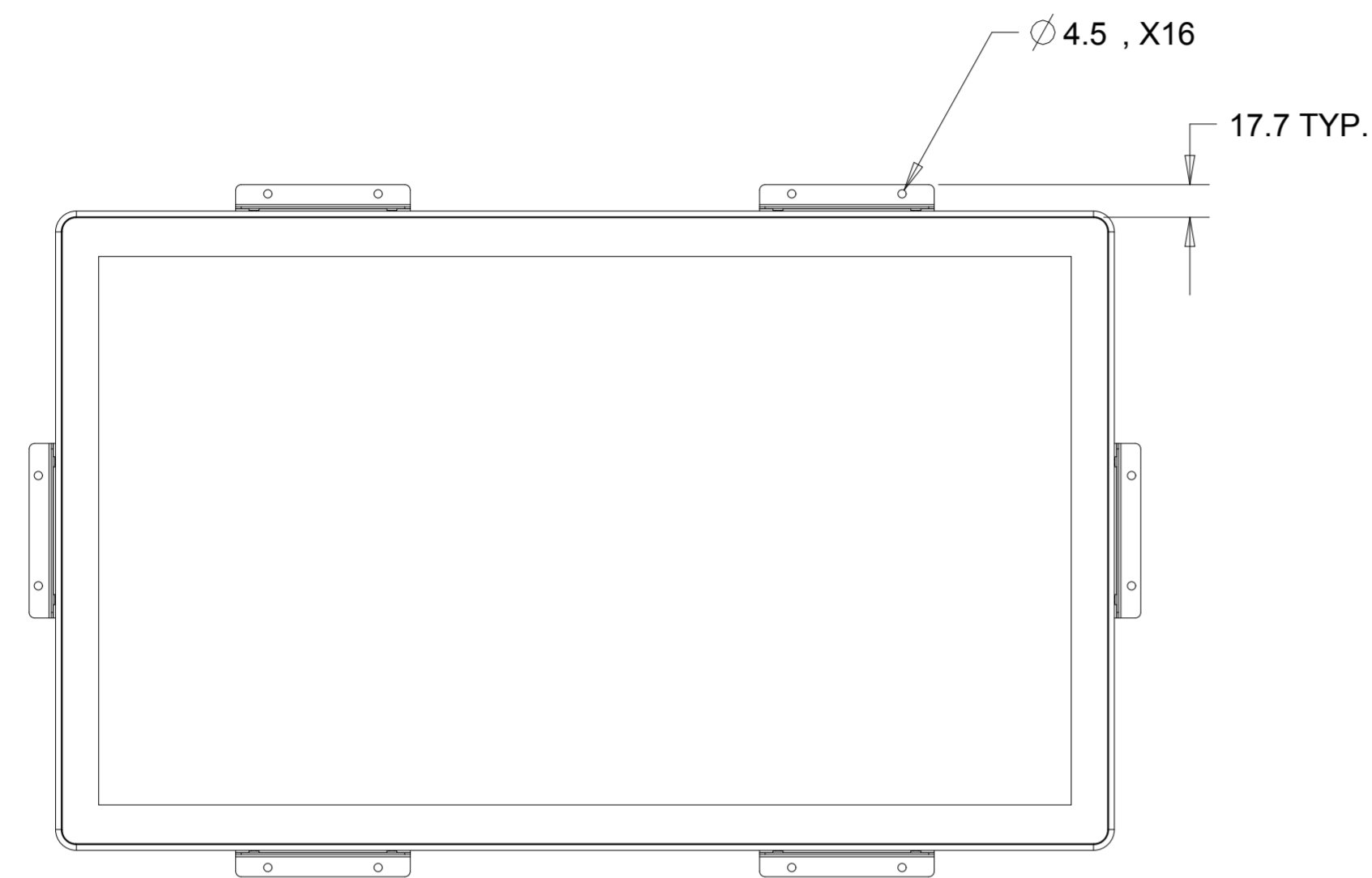


PROJECTED CAPACITIVE MODEL

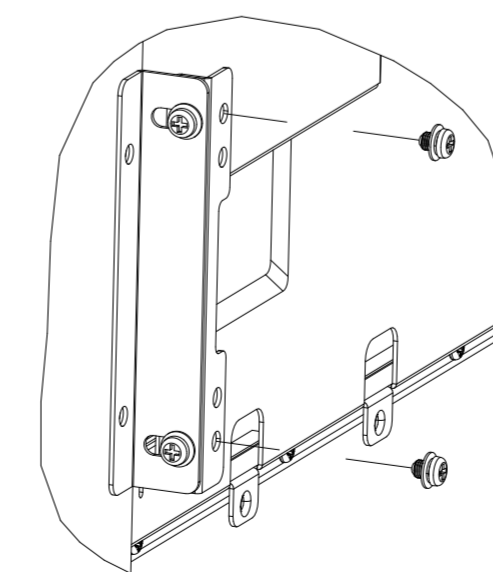


PROJECTED CAPACITIVE MODEL

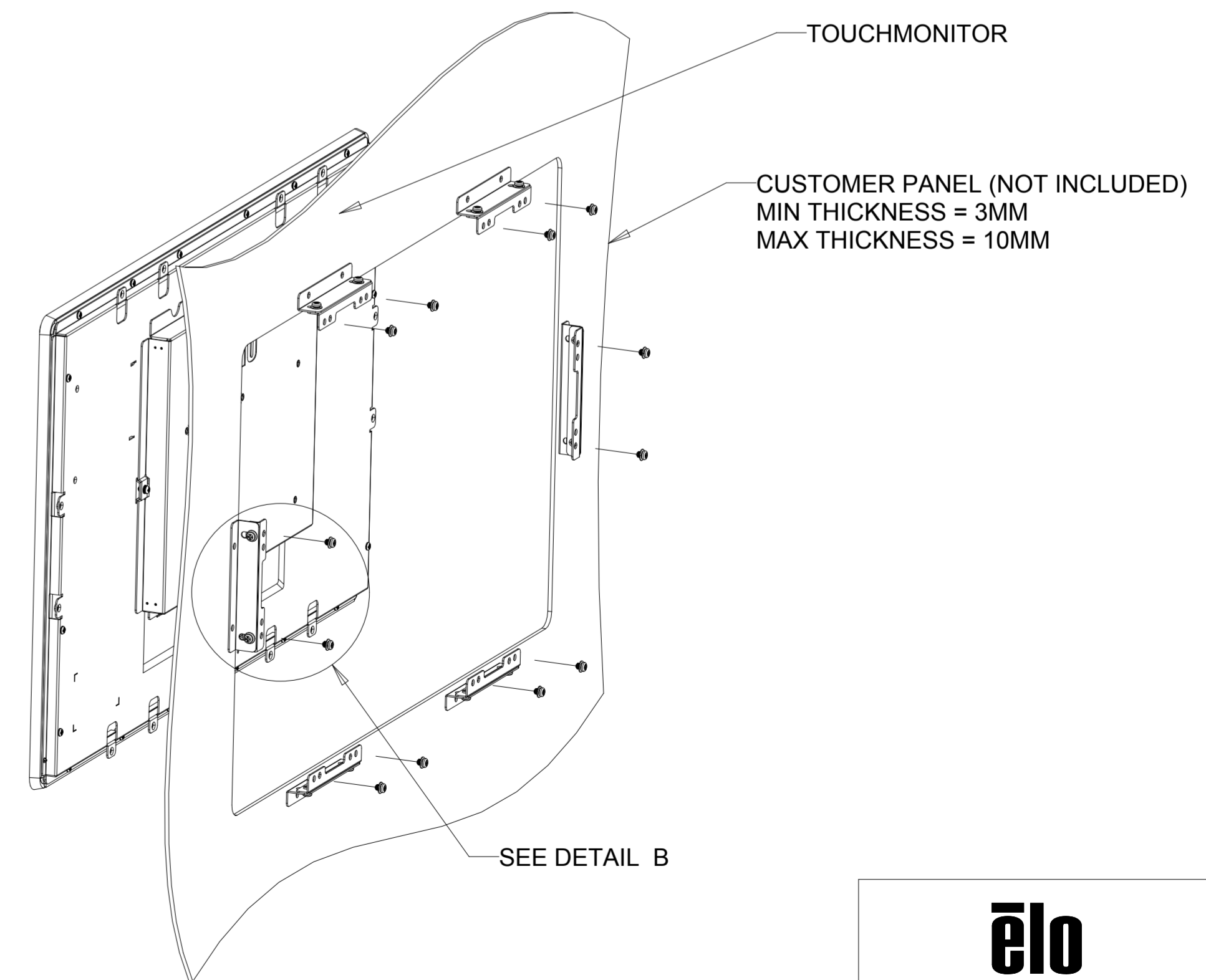
WITH FLUSH MOUNTING BRACKETS (6 SETS INCLUDED)  
 REPLACEMENT BRACKET KIT P/N E000879 AVAILABLE SEPARATELY



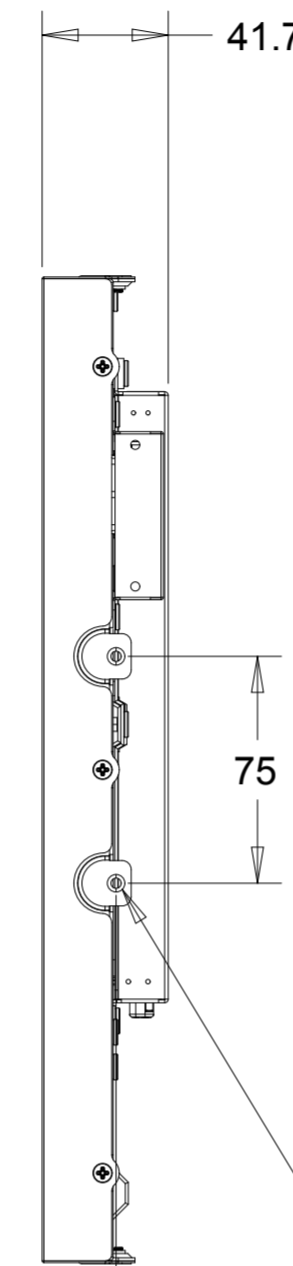
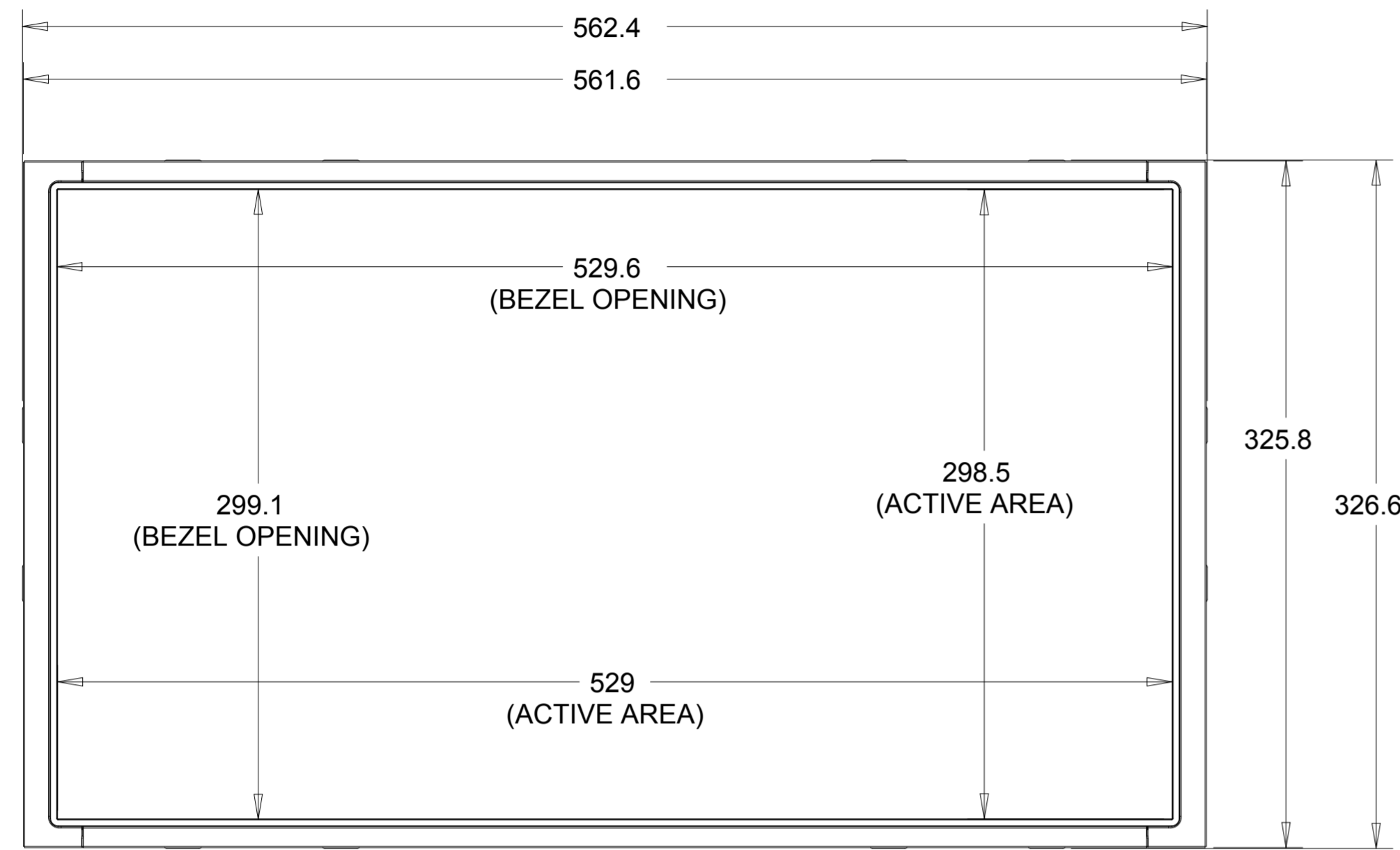
SECTION KIOSK-KIOSK  
 SCALE 2.000



DETAIL B  
 SCALE 0.600

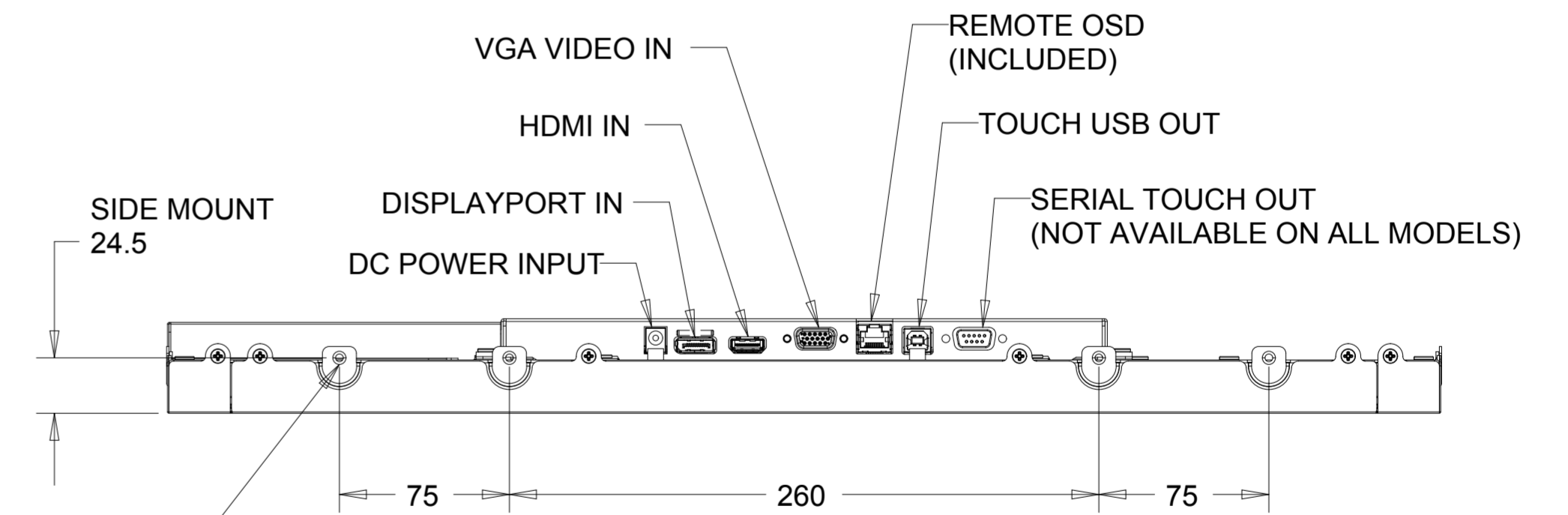
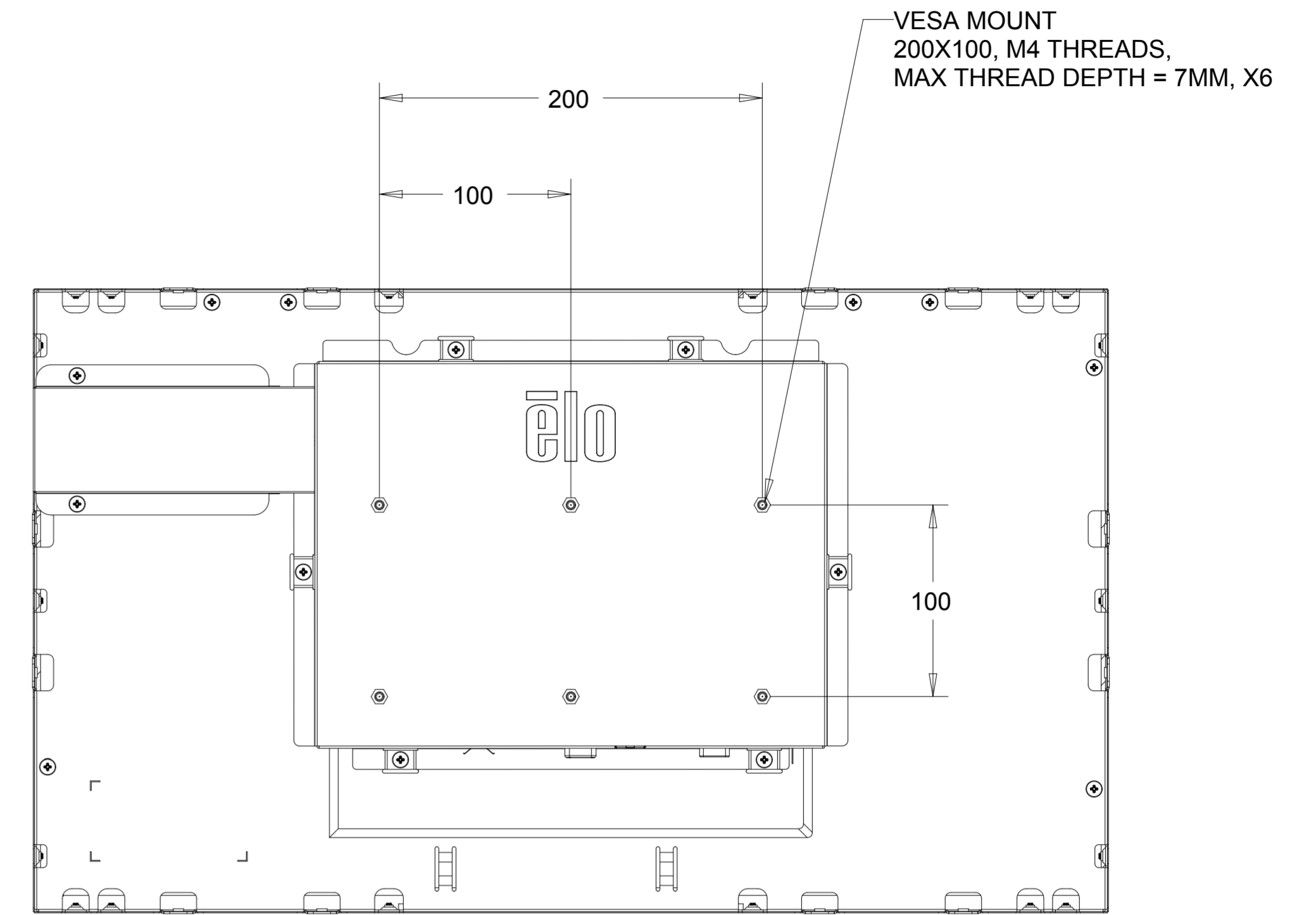


INTELLITOUCH, ACCUTOUCH, AND SECURETOUCH MODEL



SIDE MOUNT  
24.5

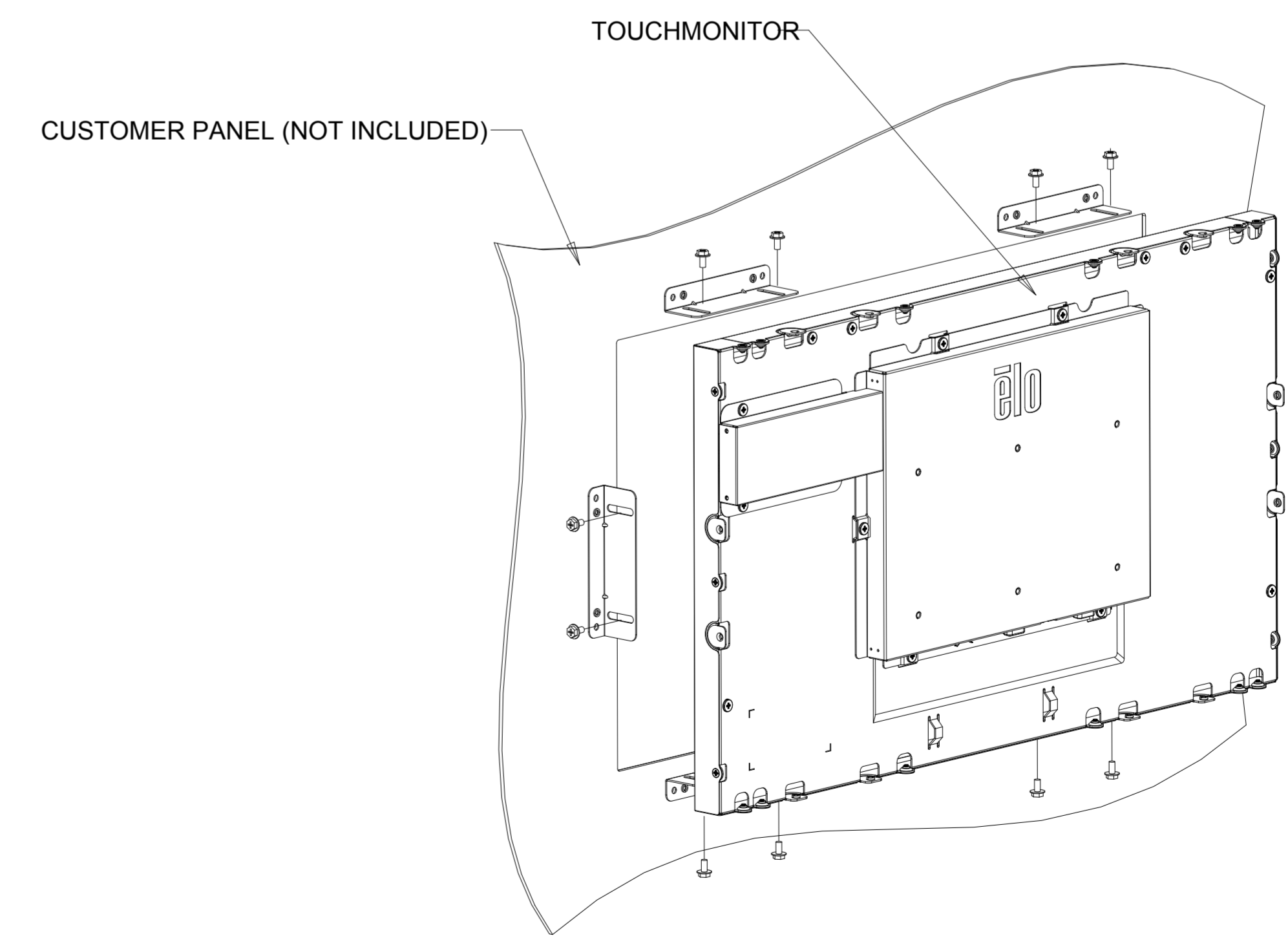
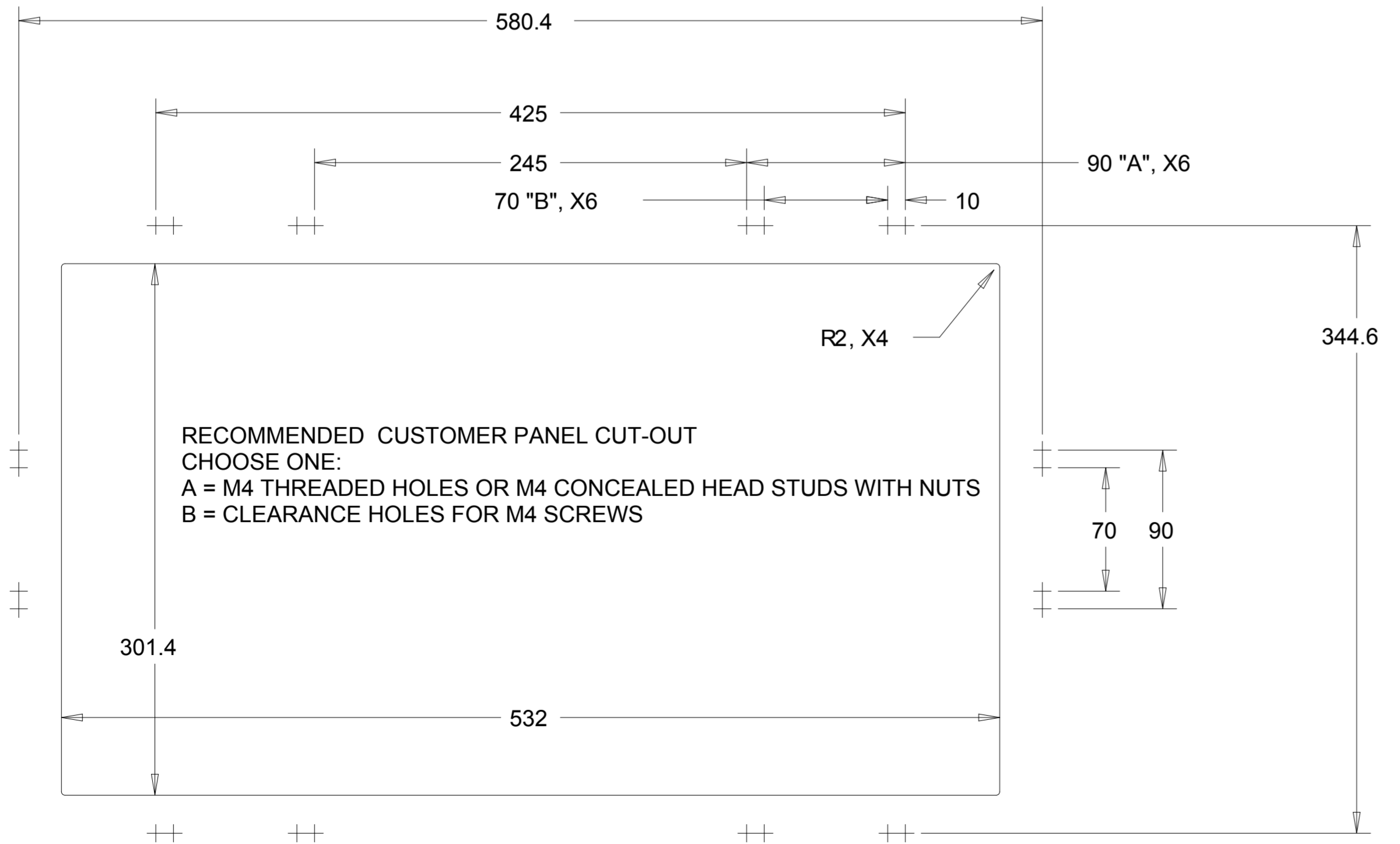
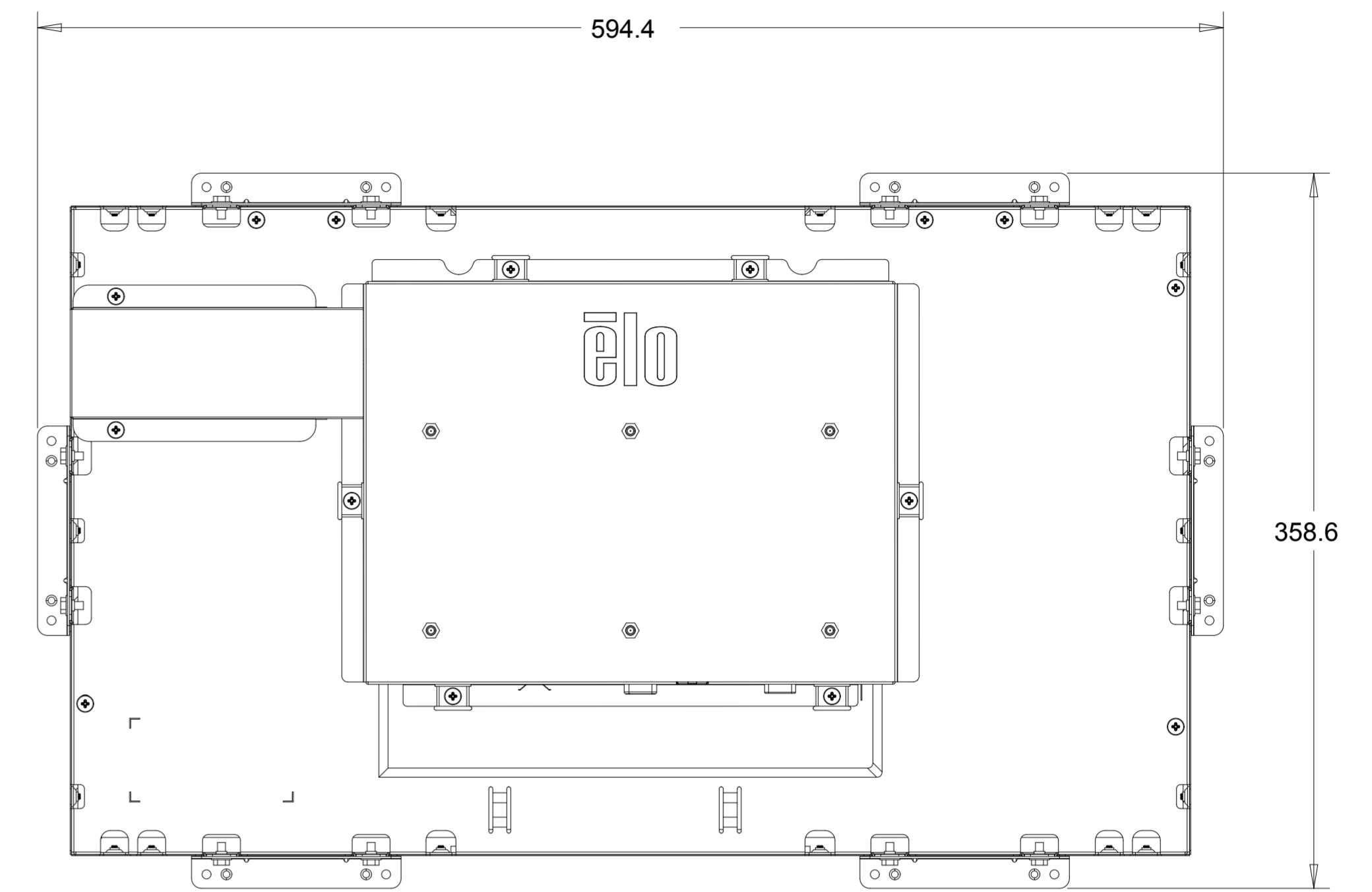
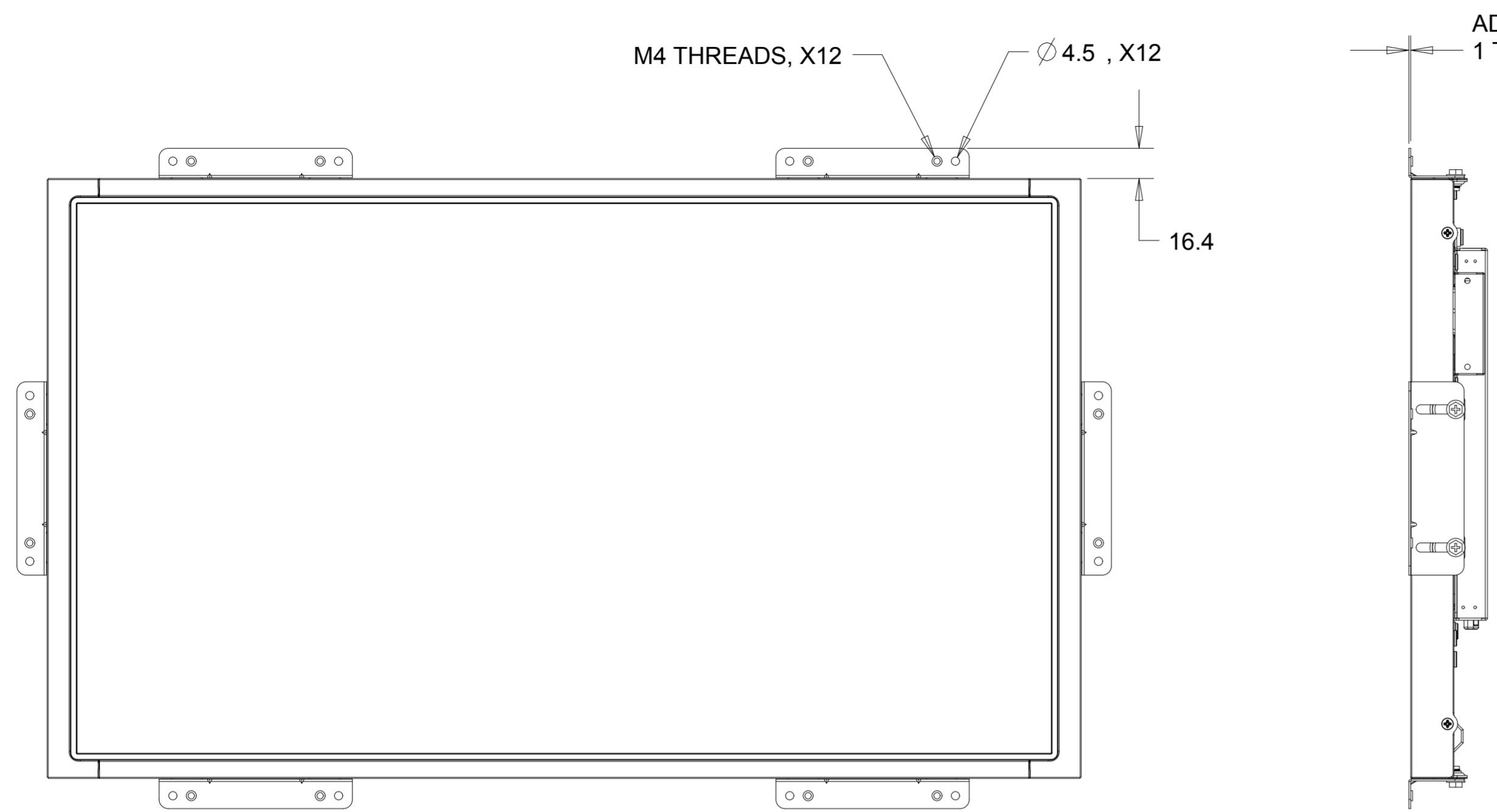
SIDE MOUNT (LEFT AND RIGHT),  
M4 THREADS, MAX THREAD DEPTH = 6MM, X2



SIDE MOUNT, (TOP AND BOTTOM)  
M4 THREADS, MAX THREAD DEPTH = 6MM, X4

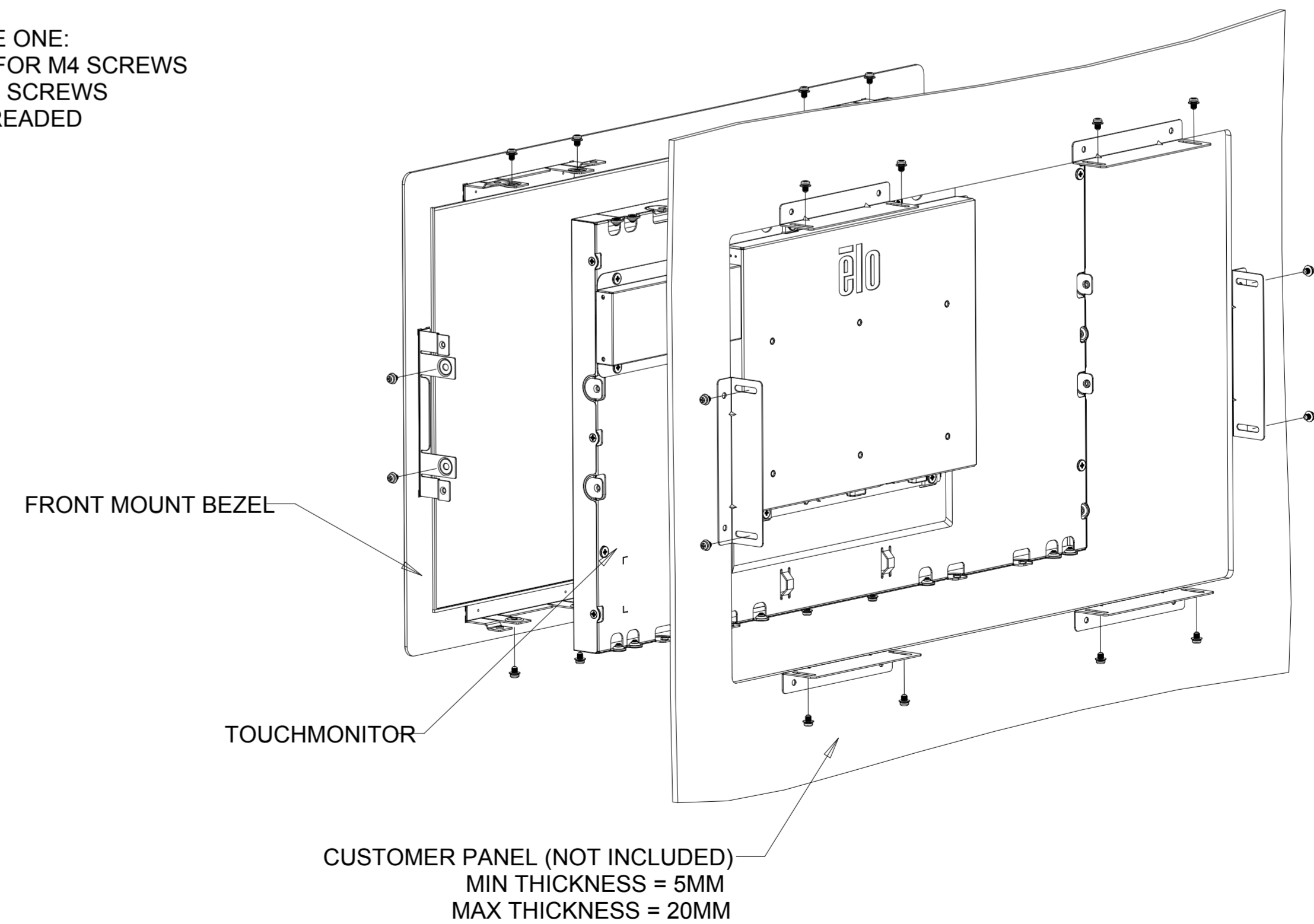
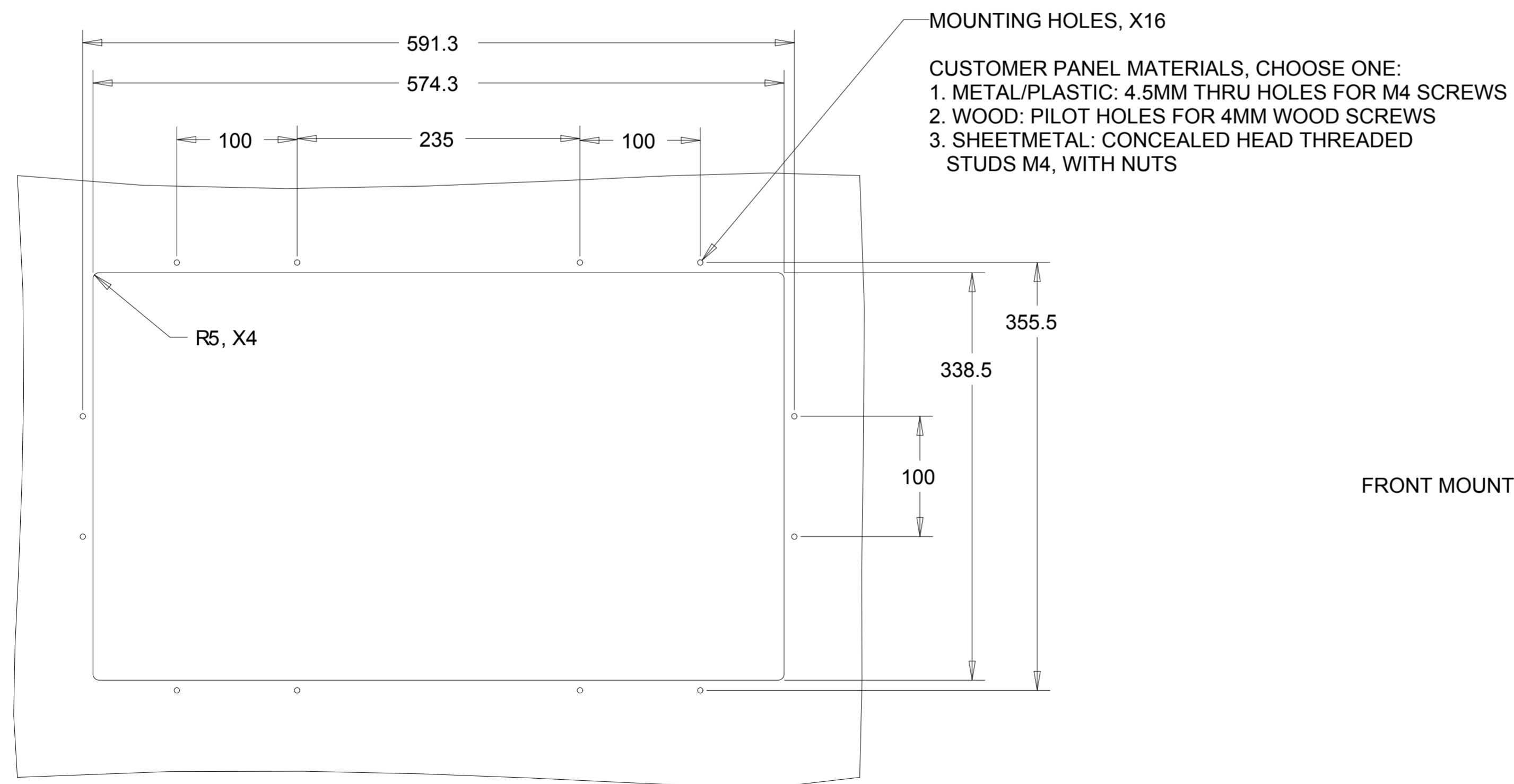
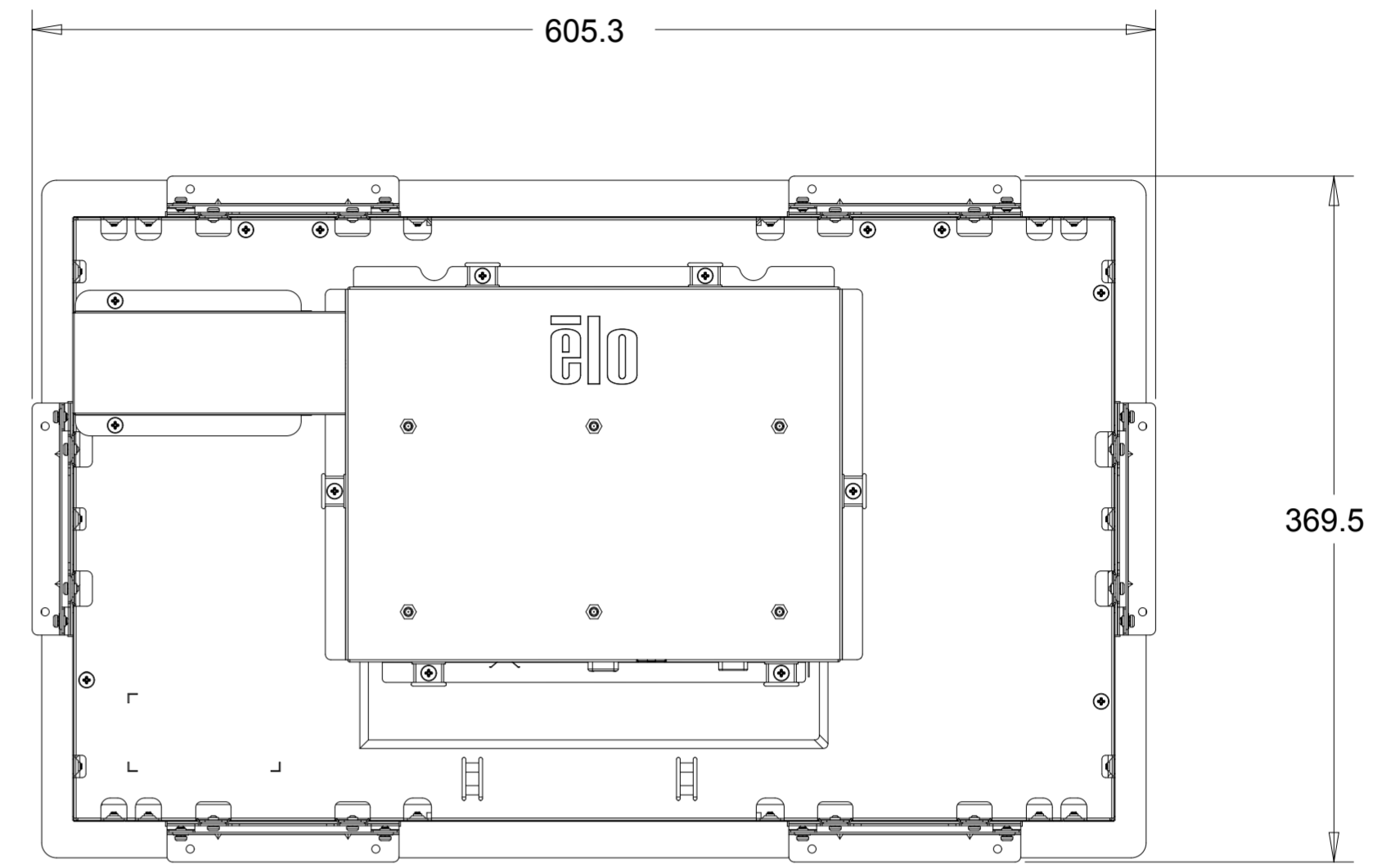
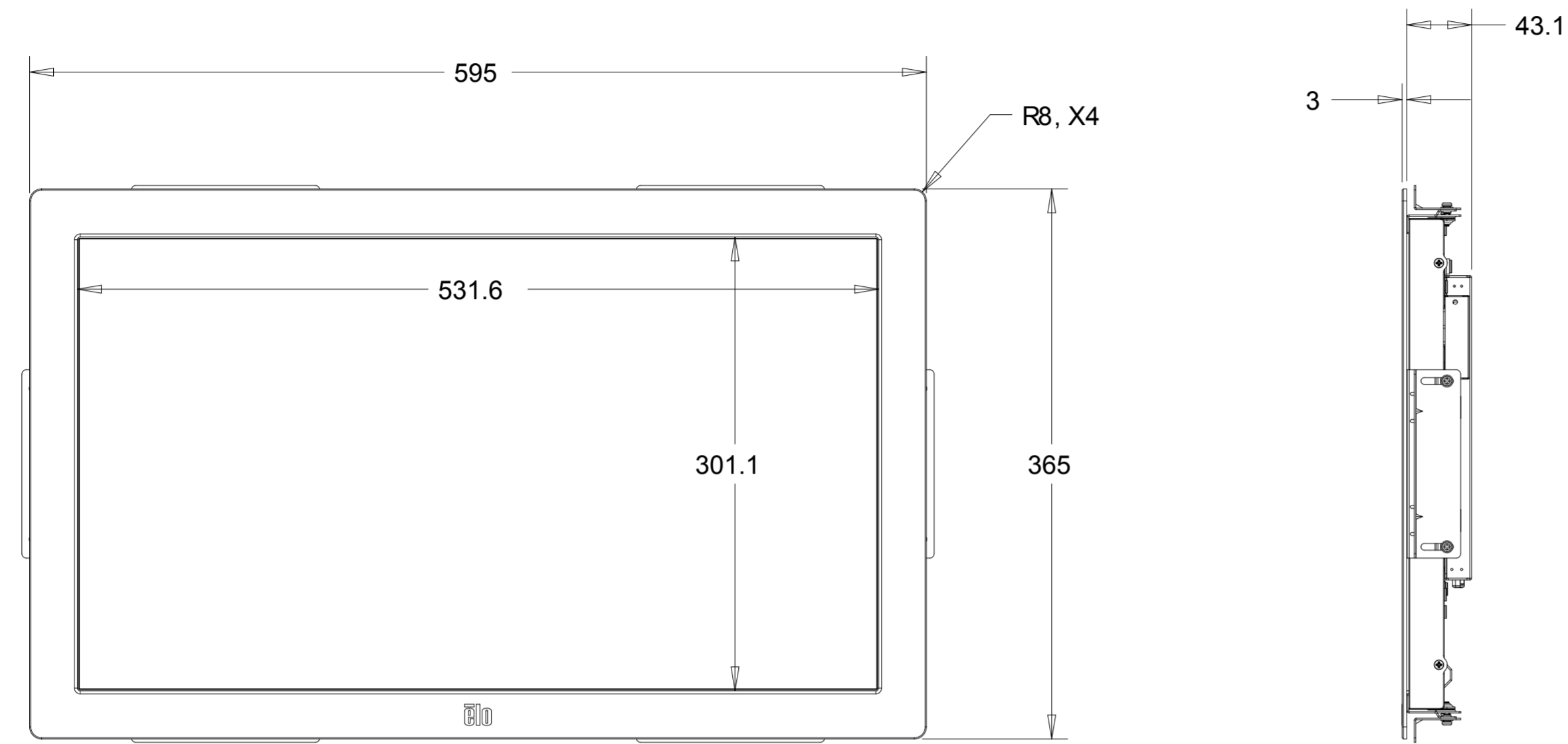
INTELLITOUCH, ACCUTOUCH, AND SECURETOUCH MODEL

WITH SIDE MOUNTING BRACKETS (6 INCLUDED)  
 REPLACEMENT BRACKET KIT P/N E000878 AVAILABLE SEPARATELY

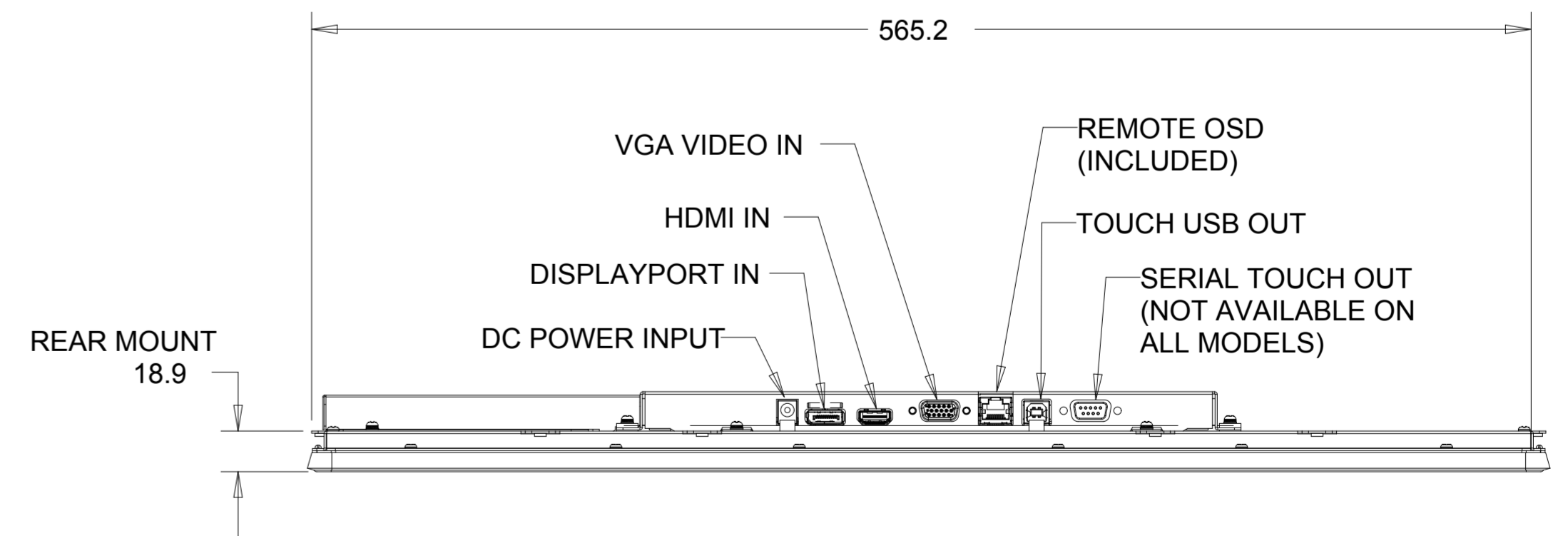
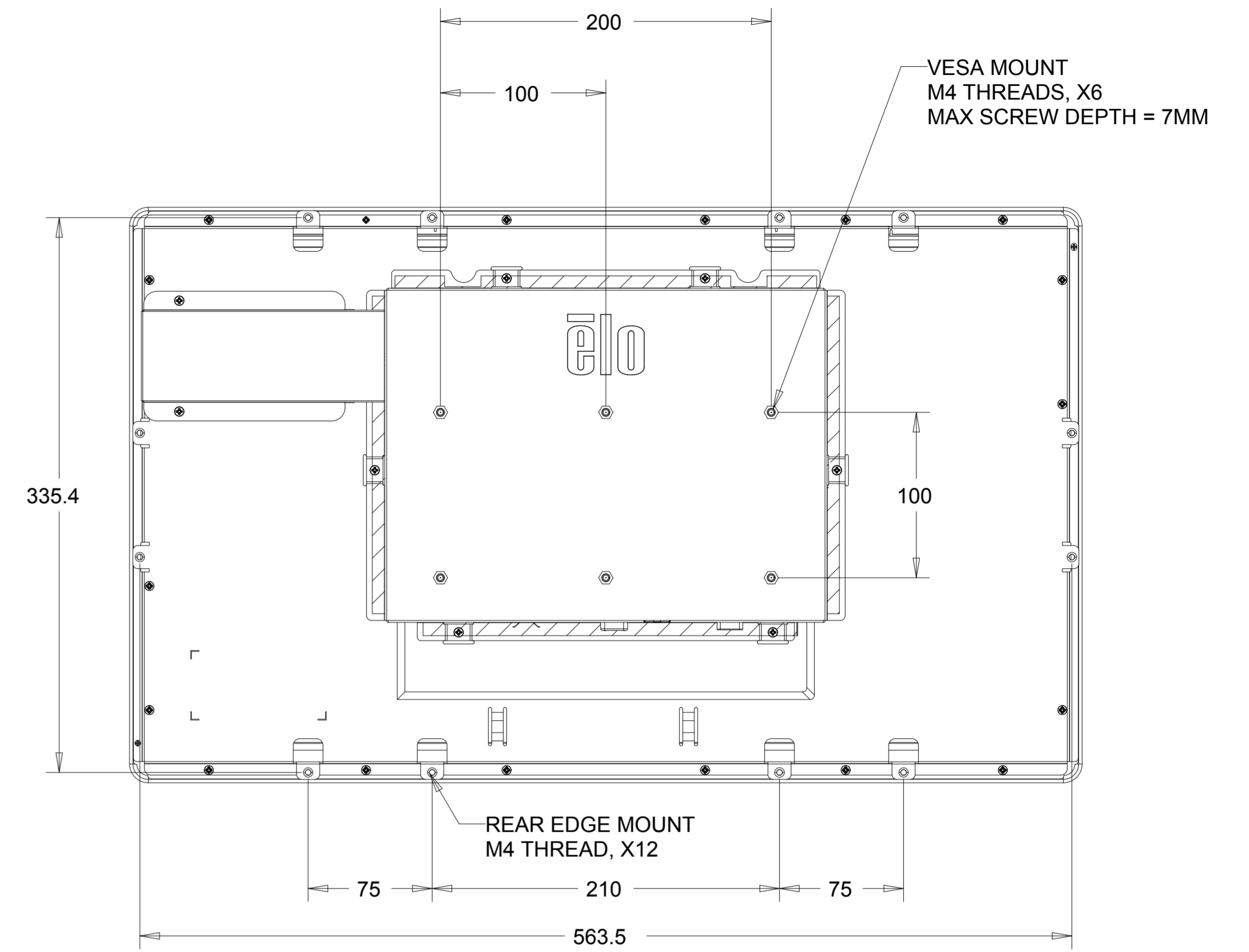
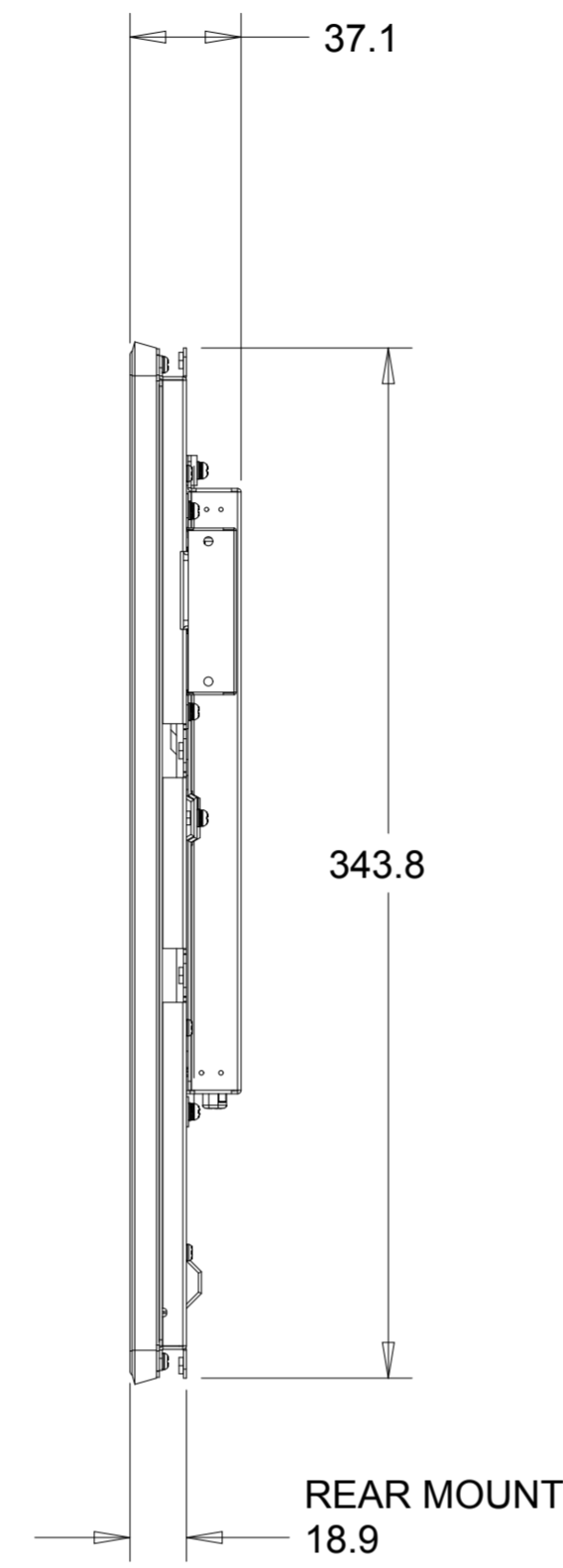
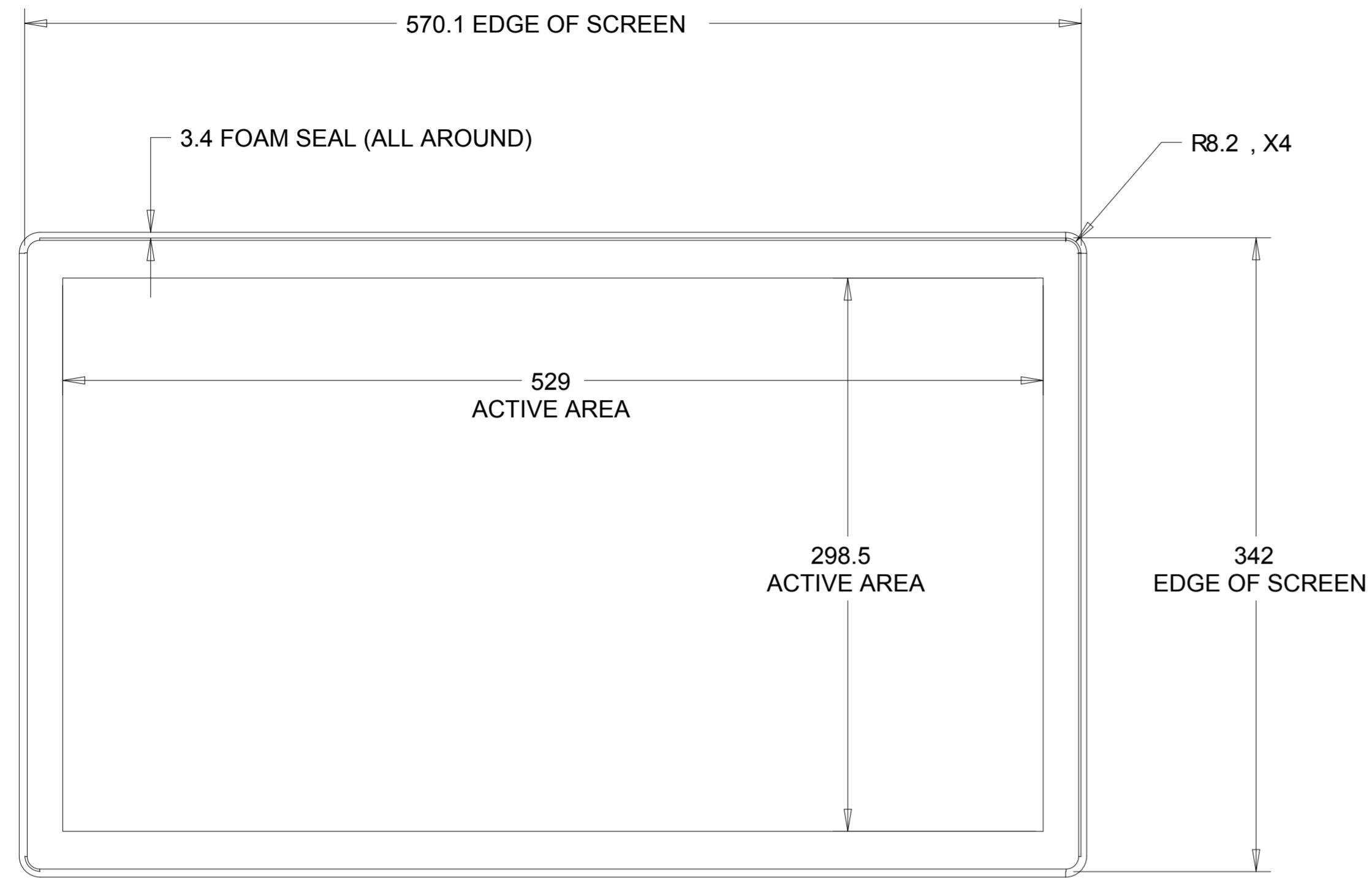


DIMENSIONS ARE IN MILLIMETERS

OPTIONAL FRONT MOUNT BEZEL KIT - P/N E083096  
 FOR INTELLITOUCH, ACCUTOUCH, AND SECURETOUCH MODEL ONLY  
 ORDERED SEPARATELY, CUSTOMER ASSEMBLED



ZERO-BEZEL INTELLITOUCH MODEL



ZERO-BEZEL INTELLITOUCH MODEL

WITH FLUSH MOUNTING BRACKETS (6 SETS INCLUDED)  
 REPLACEMENT BRACKET KIT P/N E000879 AVAILABLE SEPARATELY

