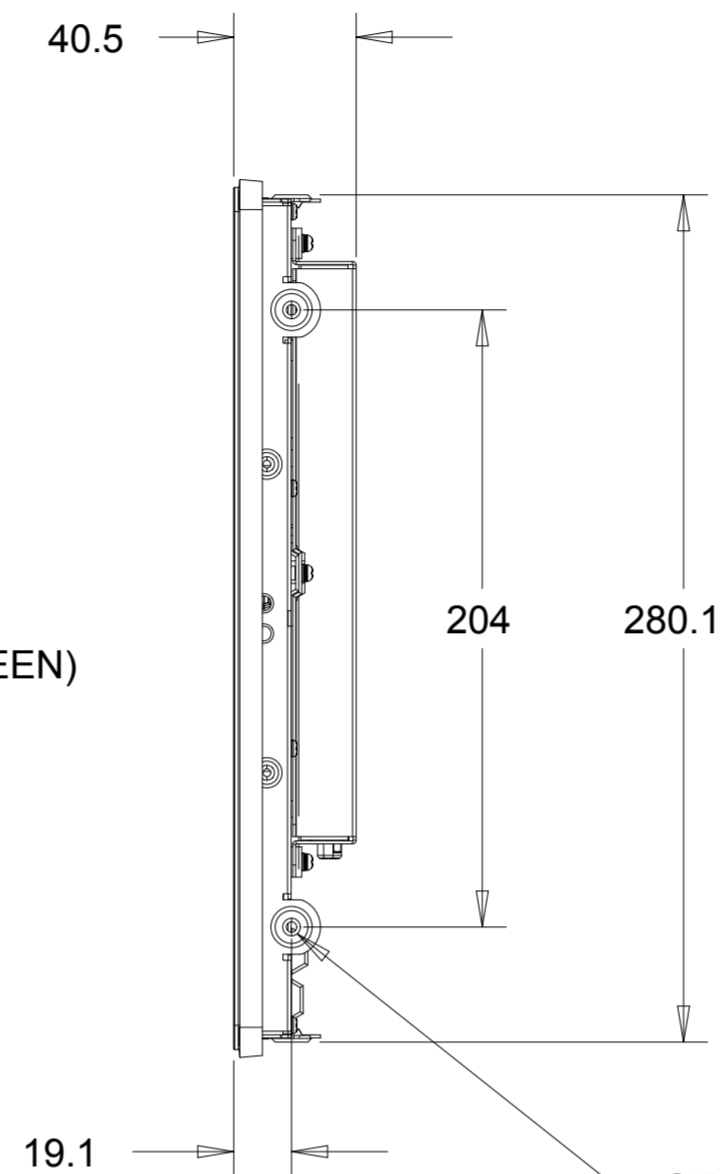
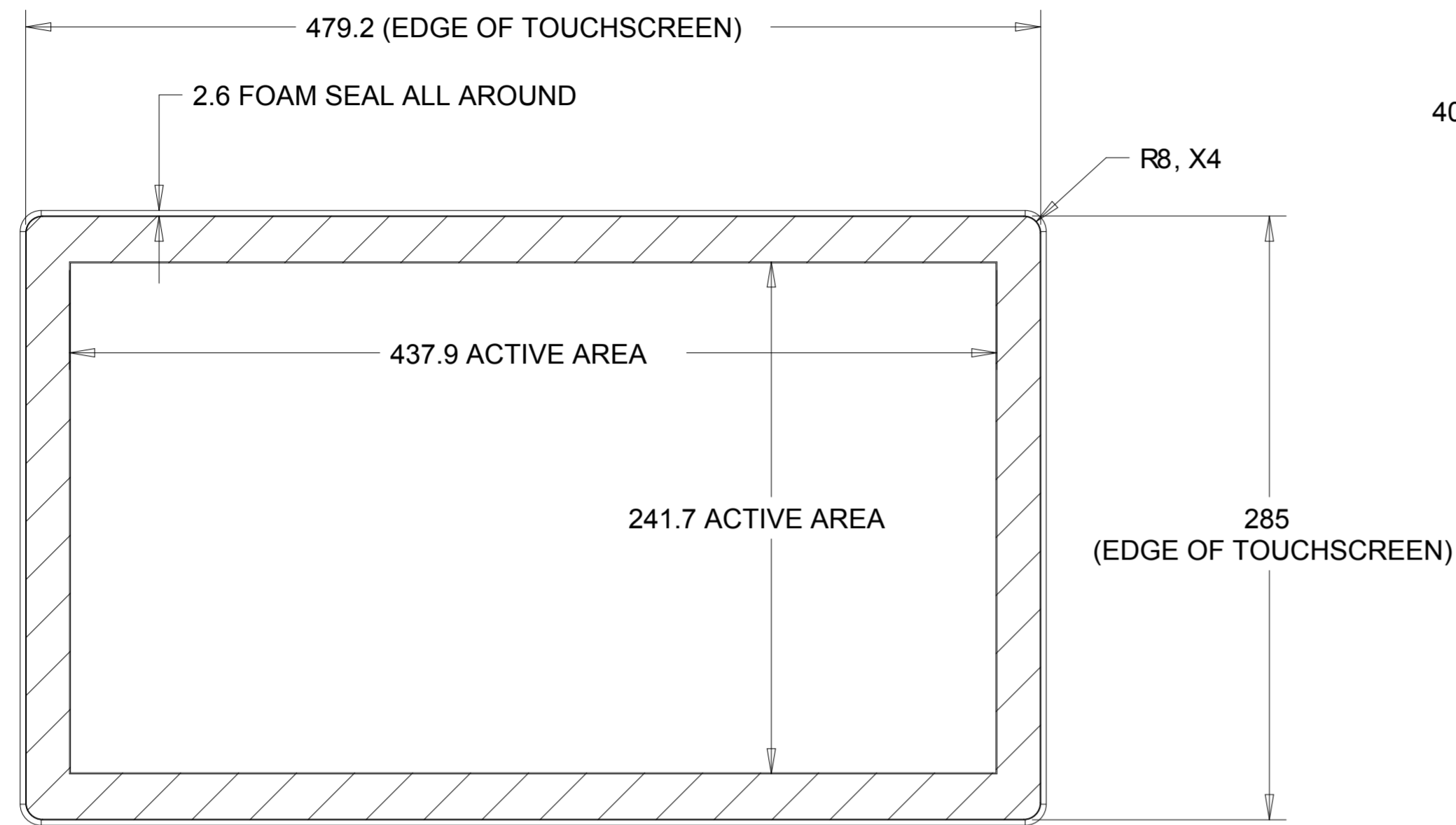
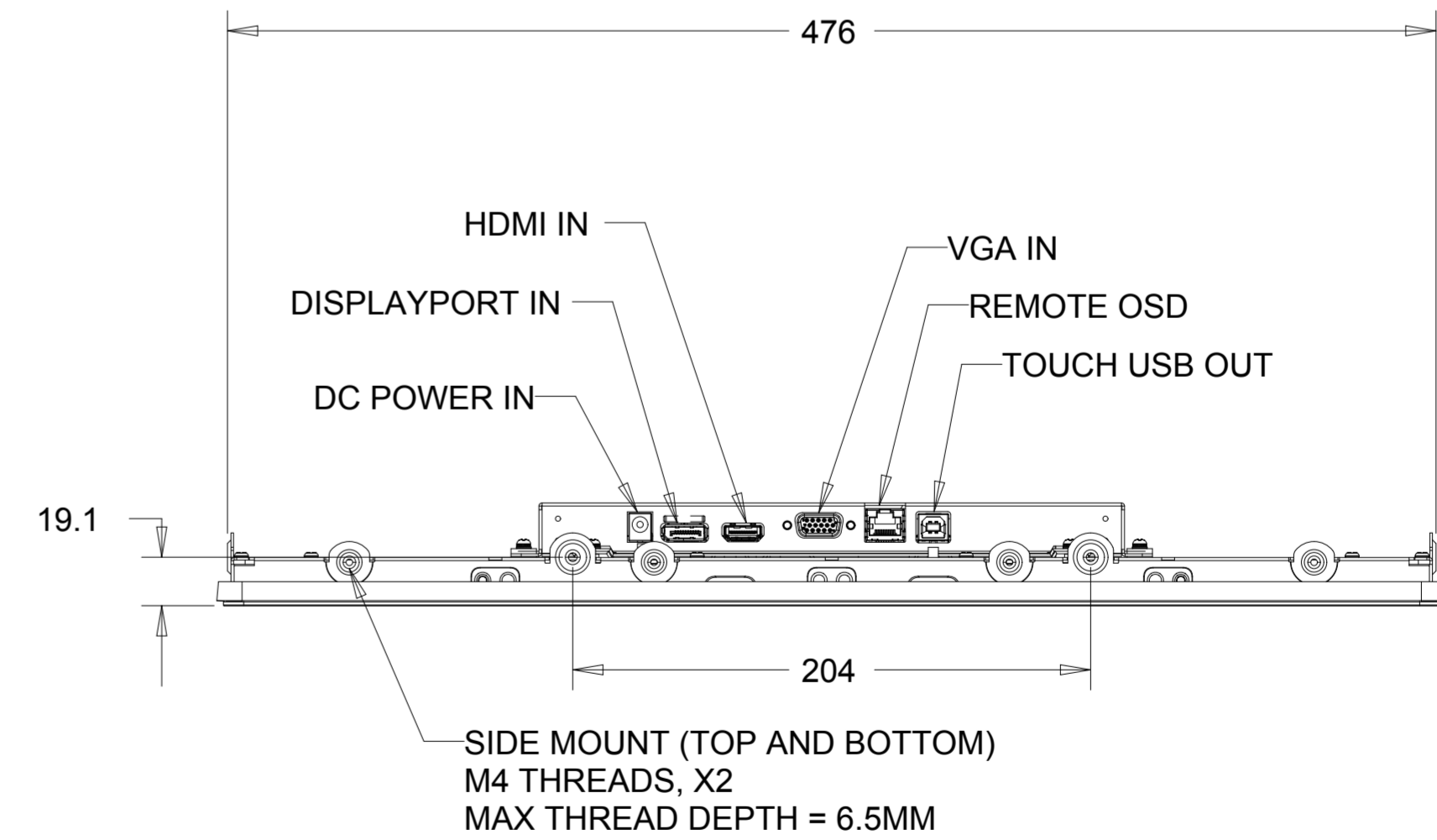
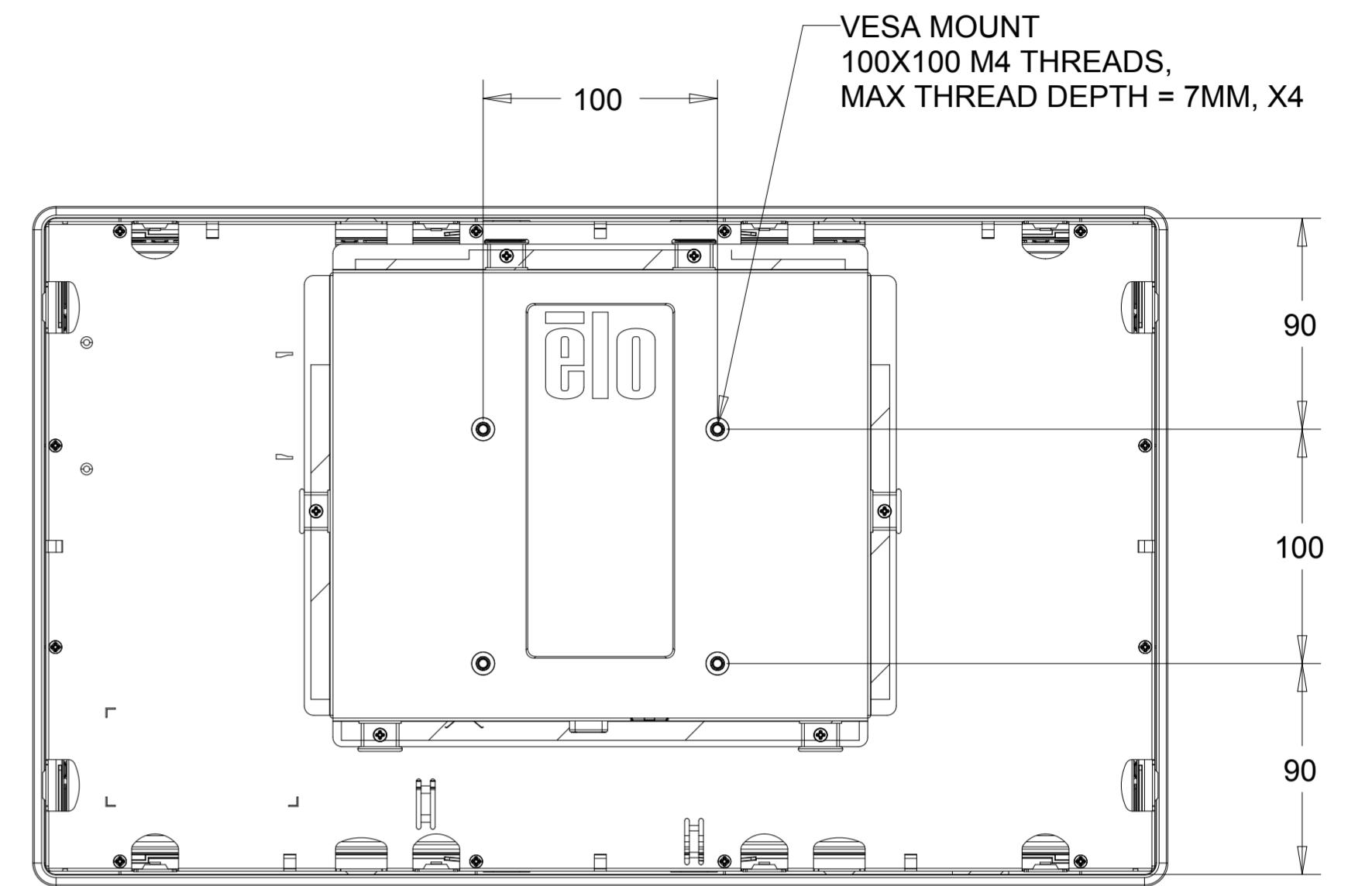


PROJECTED CAPACITIVE MODEL

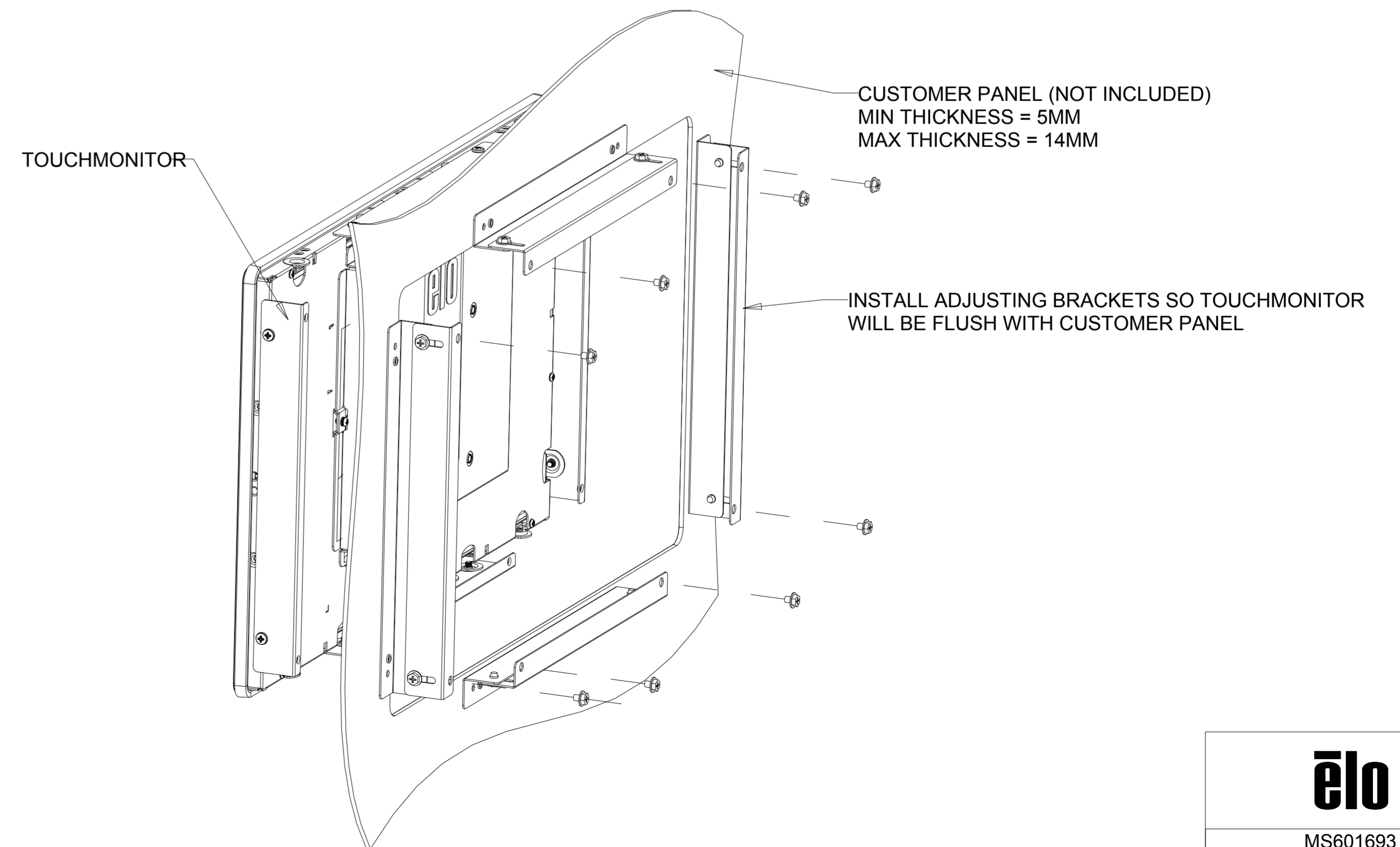
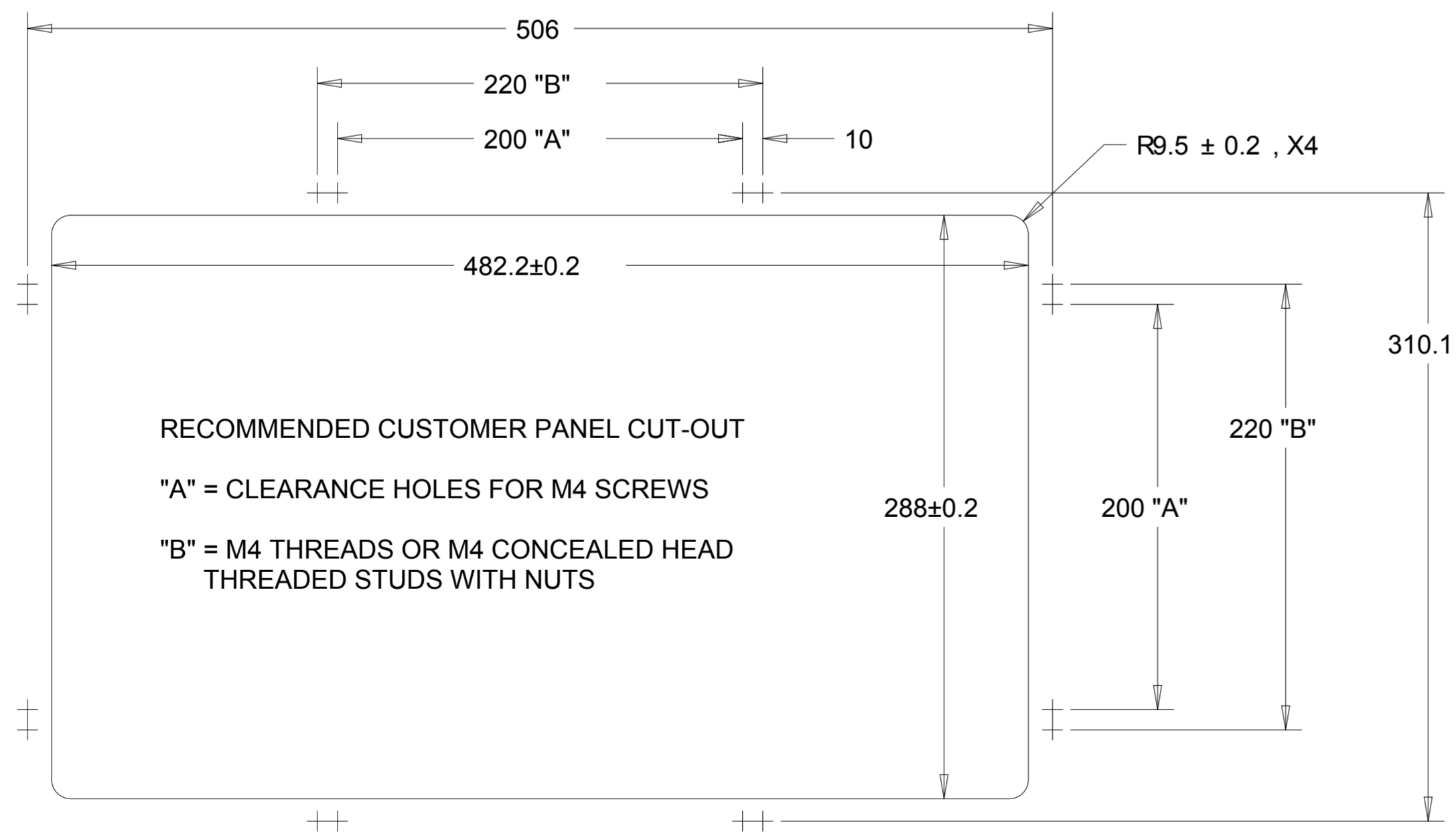
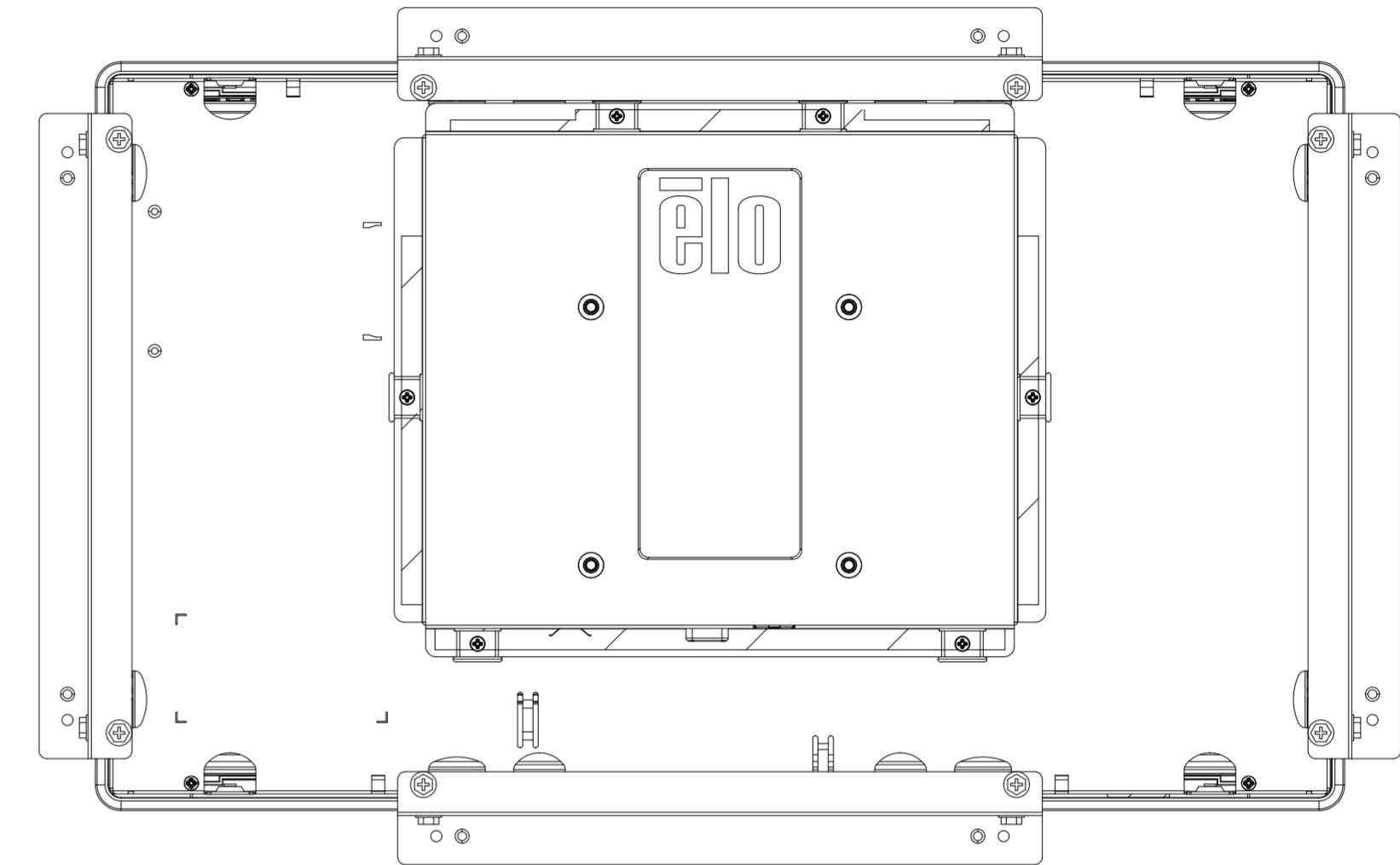
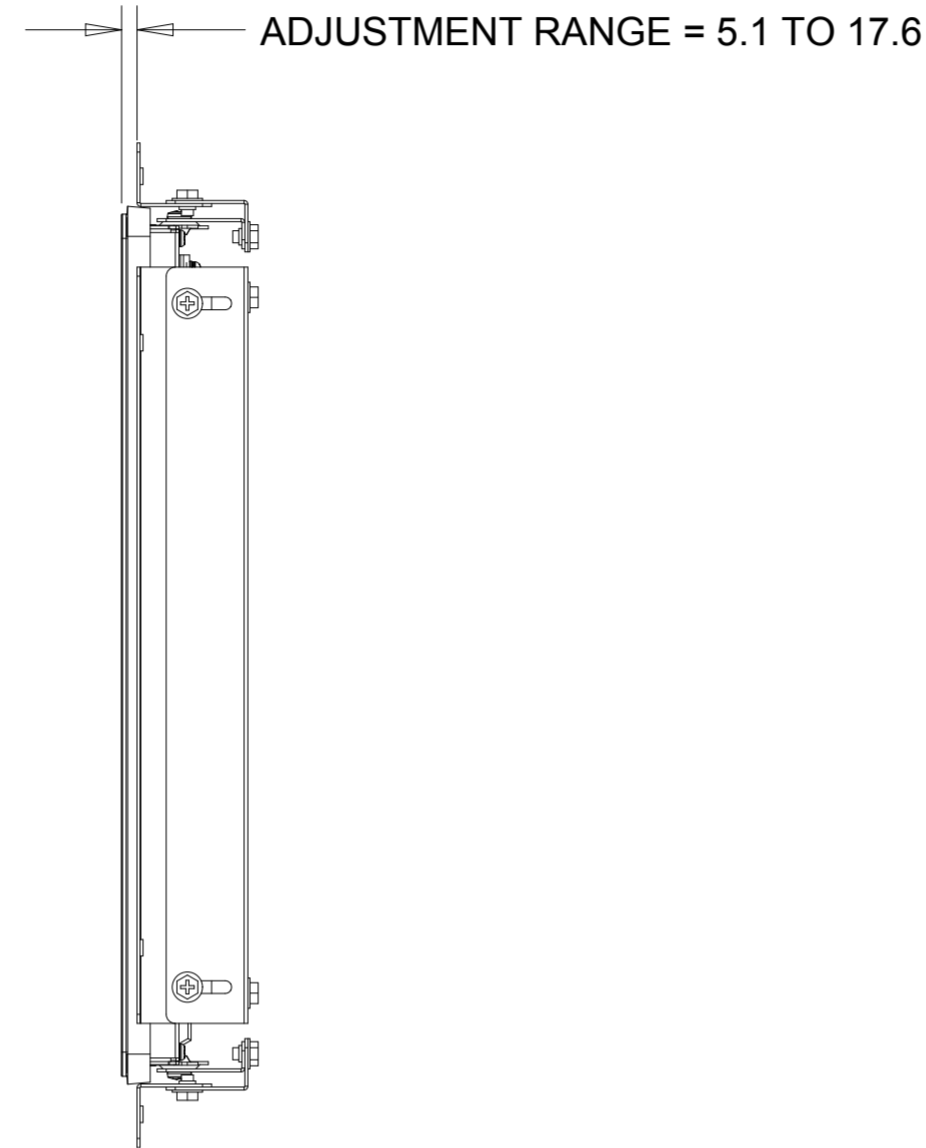
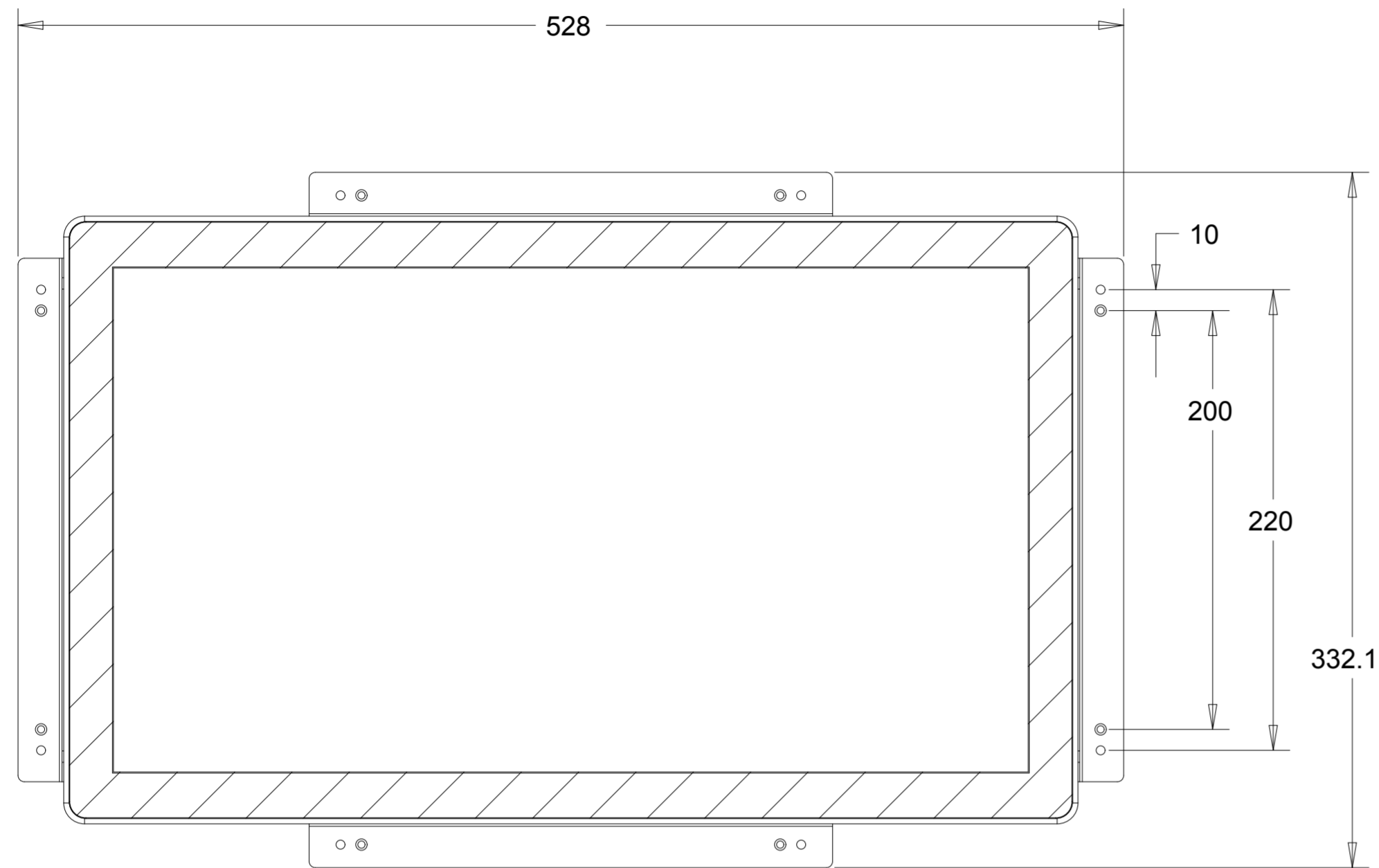


SIDE MOUNT (LEFT AND RIGHT)
M4 THREADS, X2
MAX THREAD DEPTH = 6.5MM

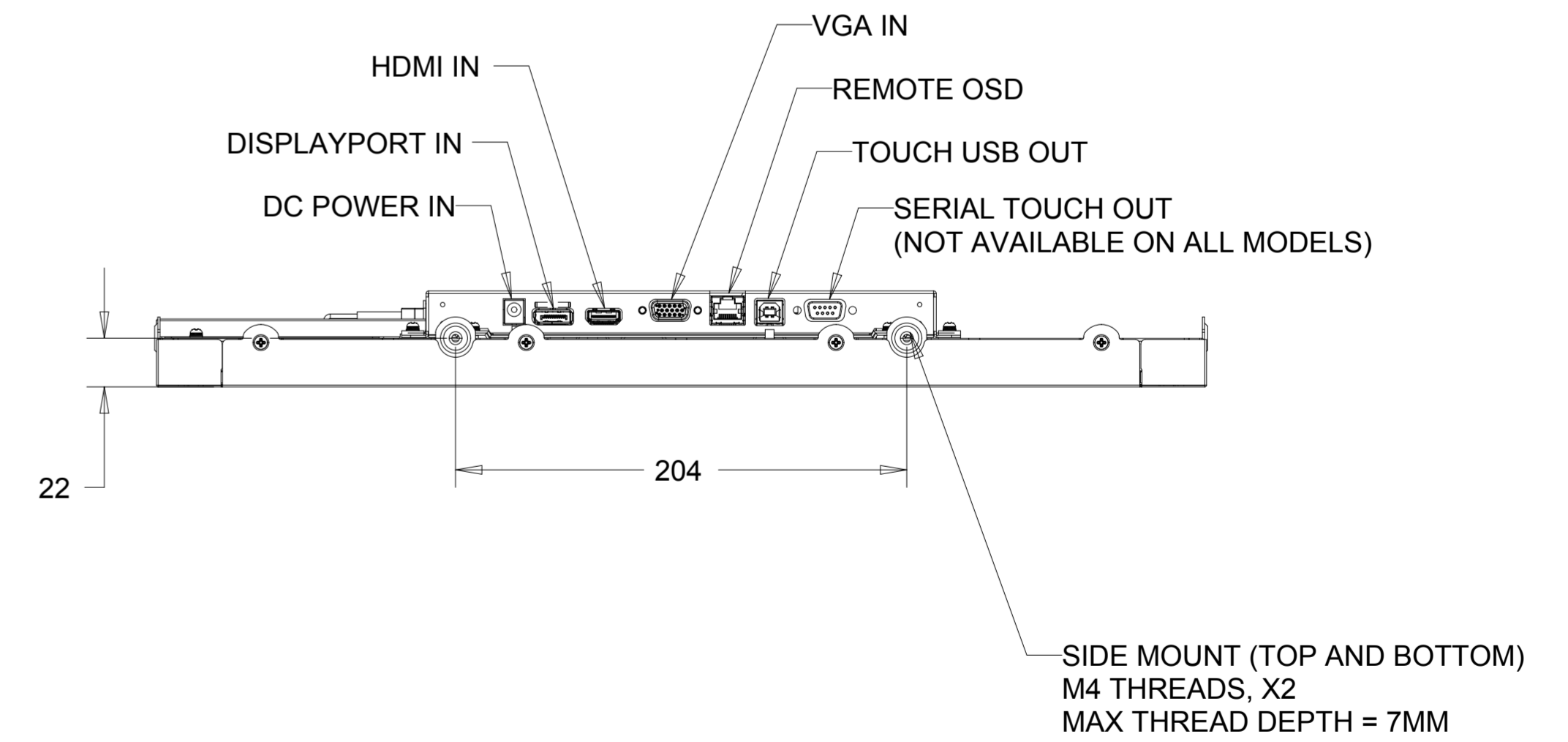
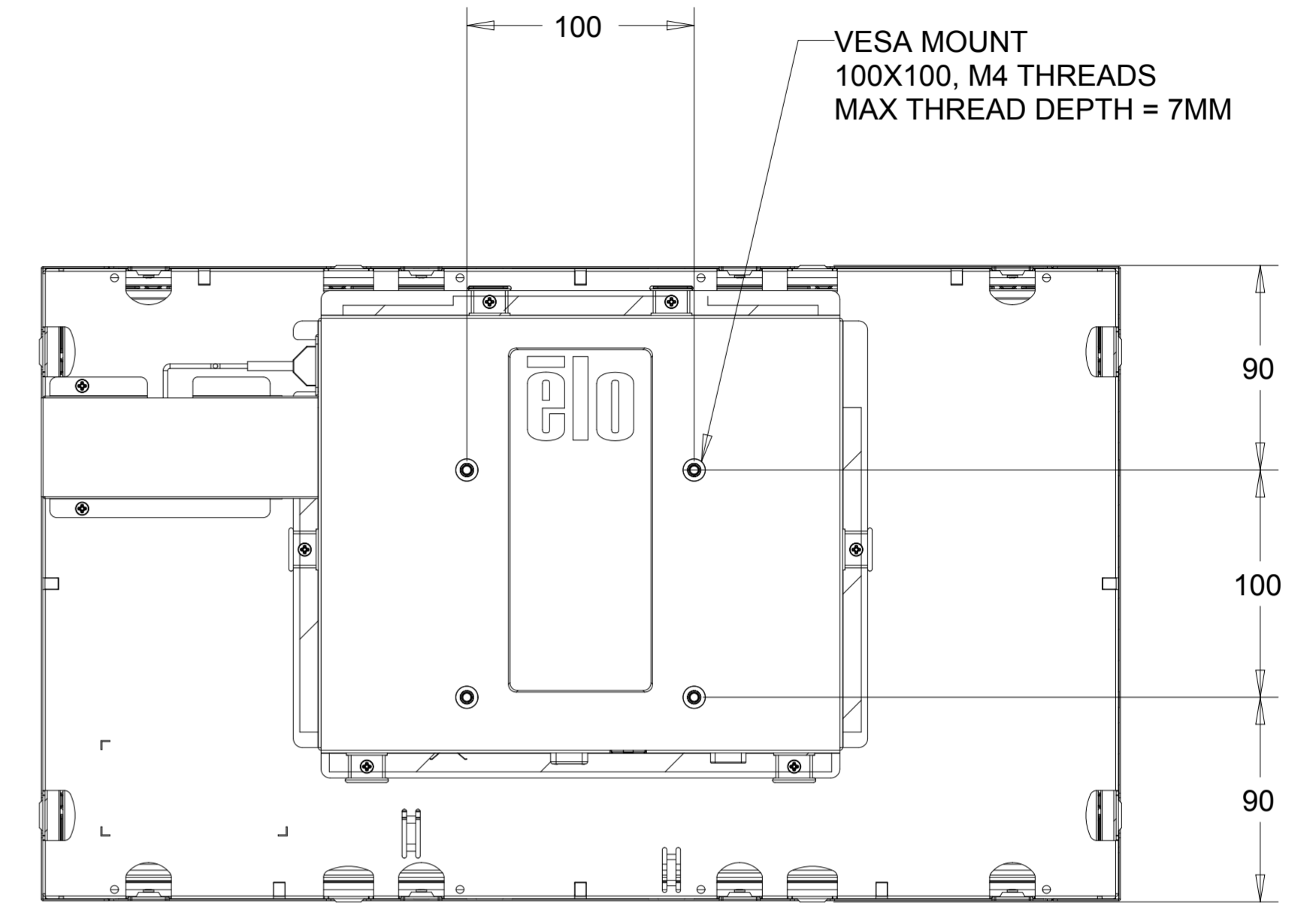
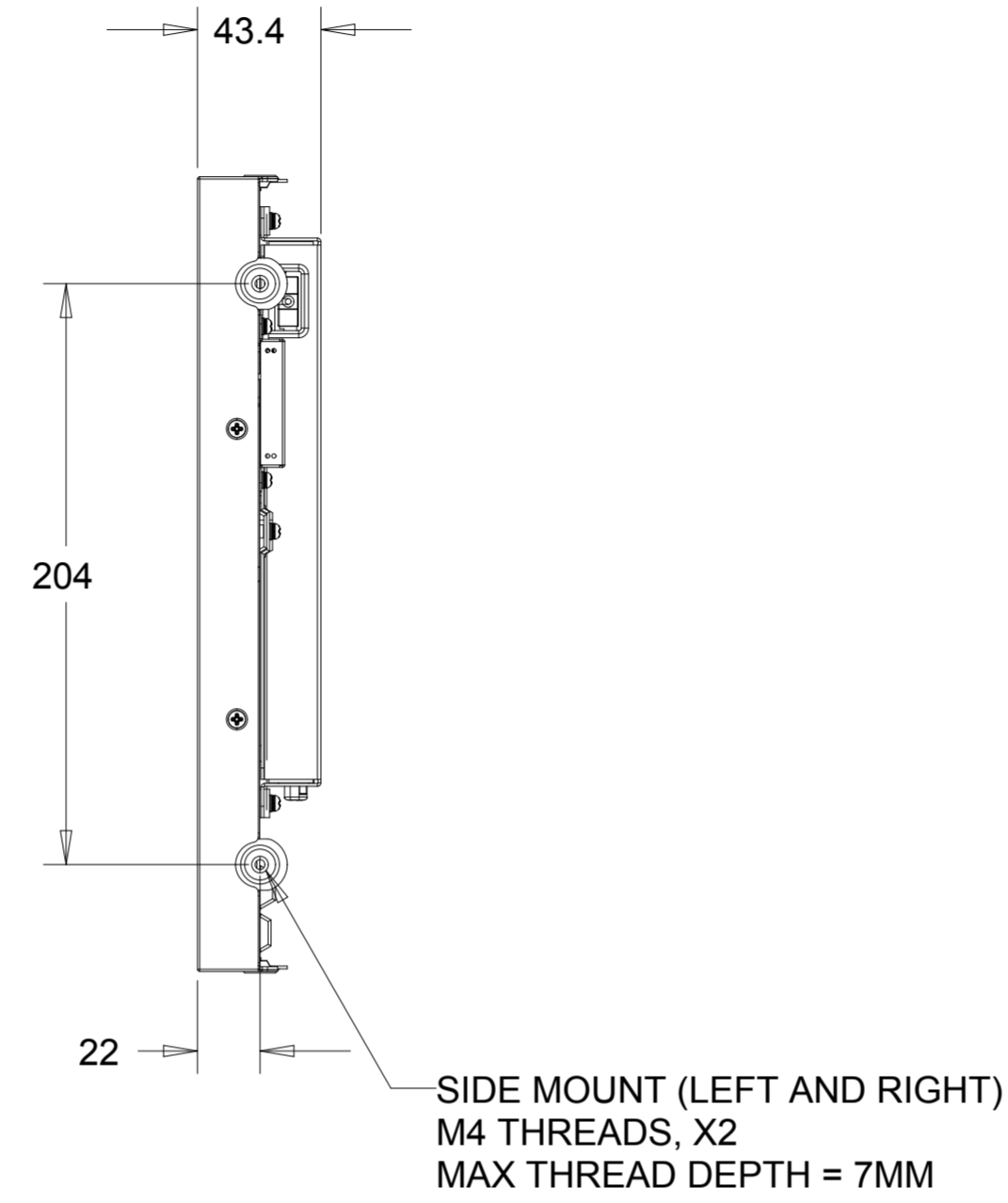
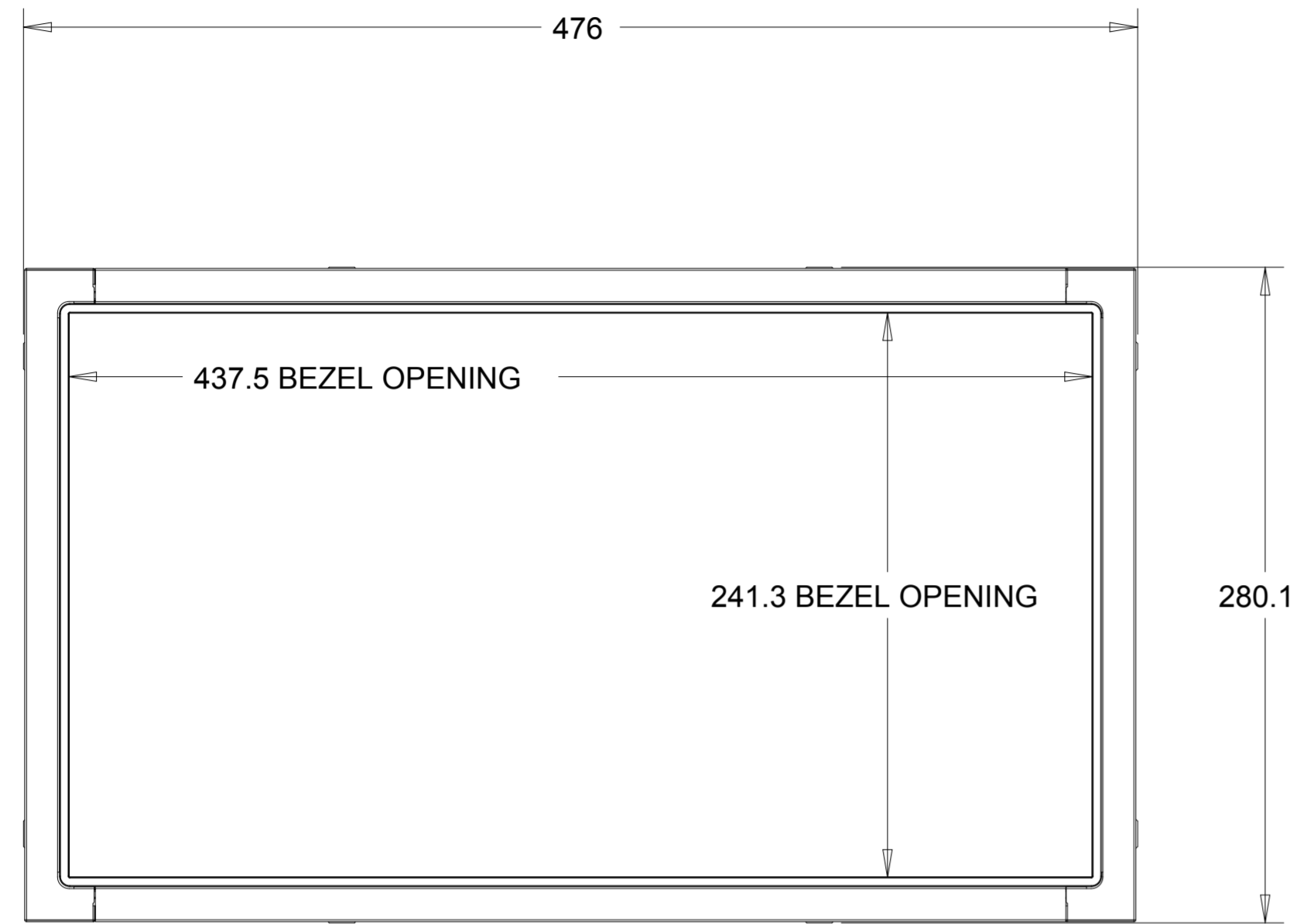


PROJECTED CAPACITIVE MODEL

WITH FLUSH MOUNTING BRACKETS (4 INCLUDED)
 REPLACEMENT BRACKET KIT P/N E190706 AVAILABLE SEPARATELY

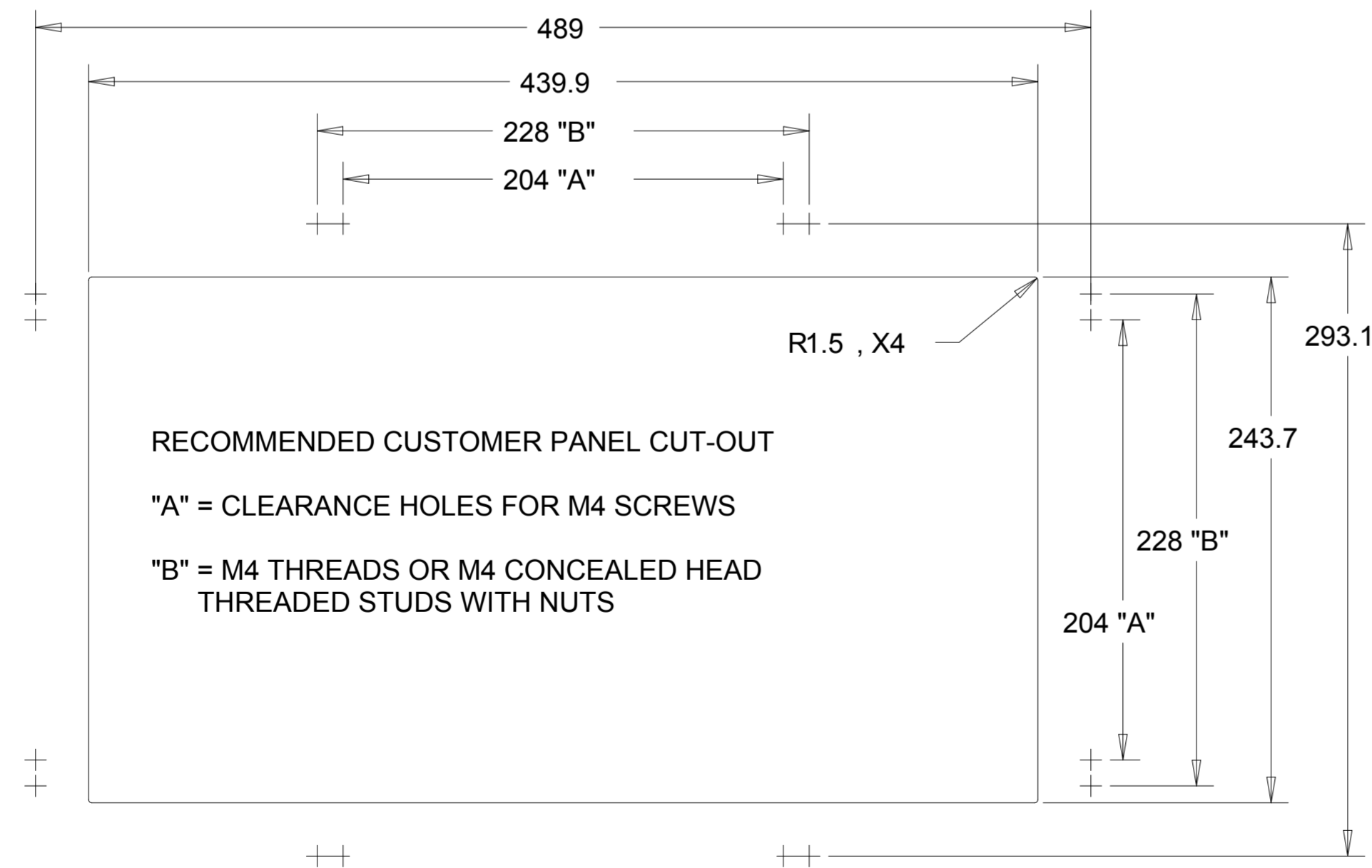
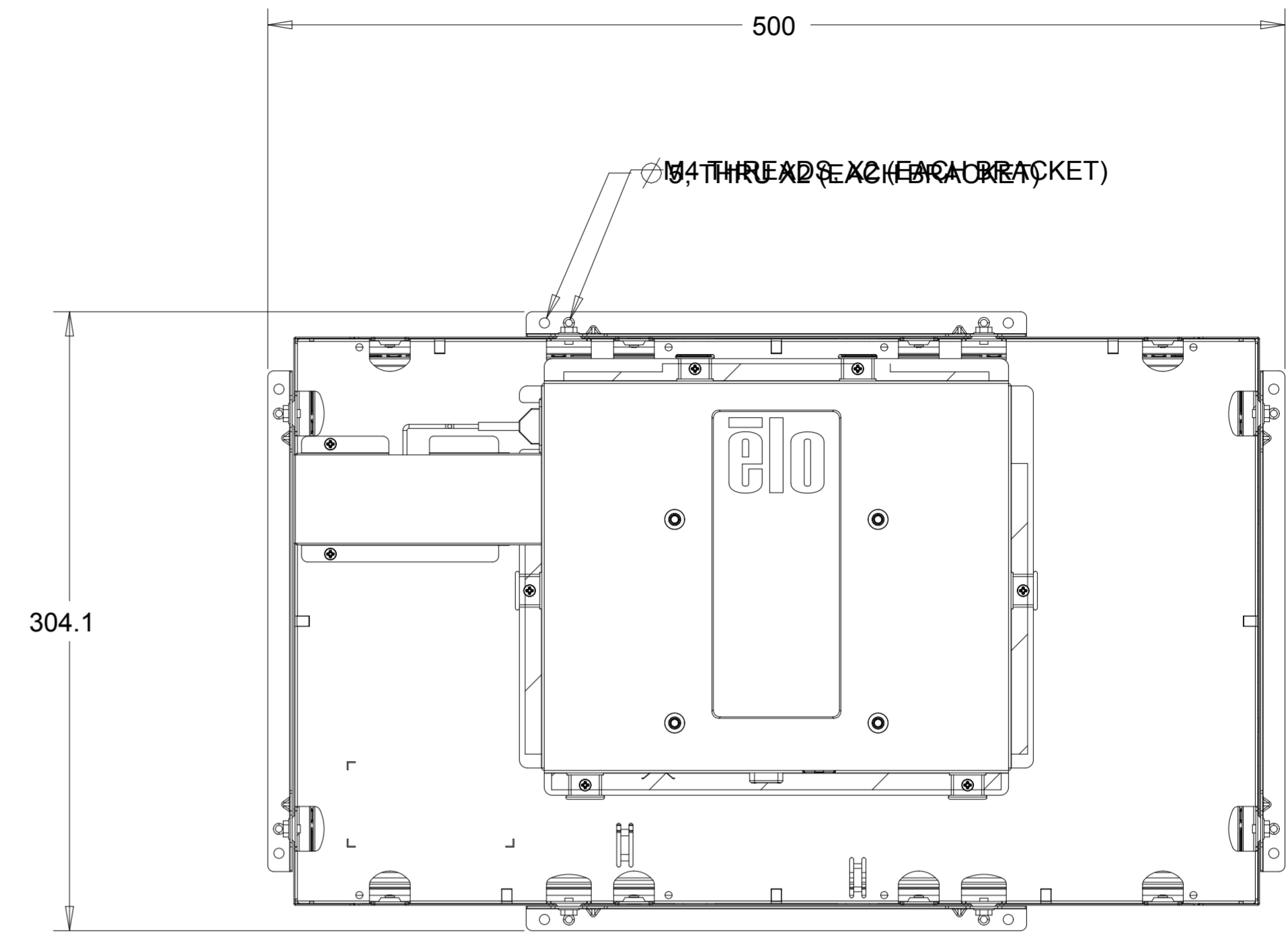
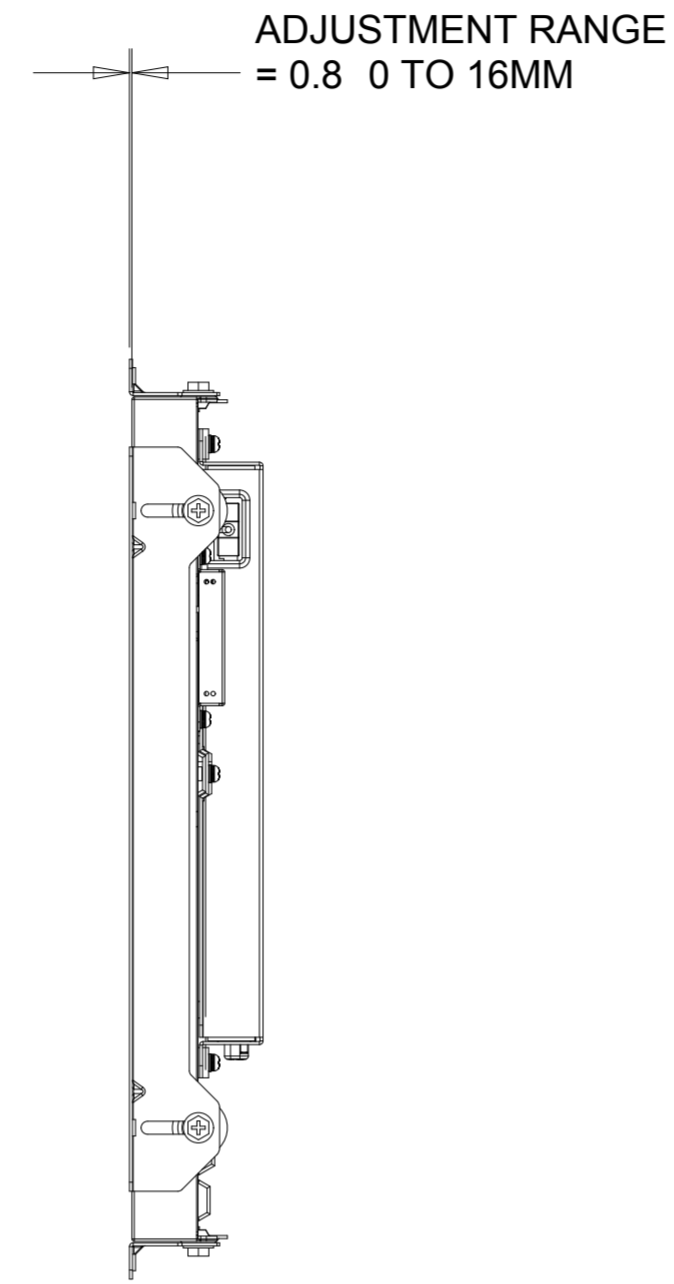
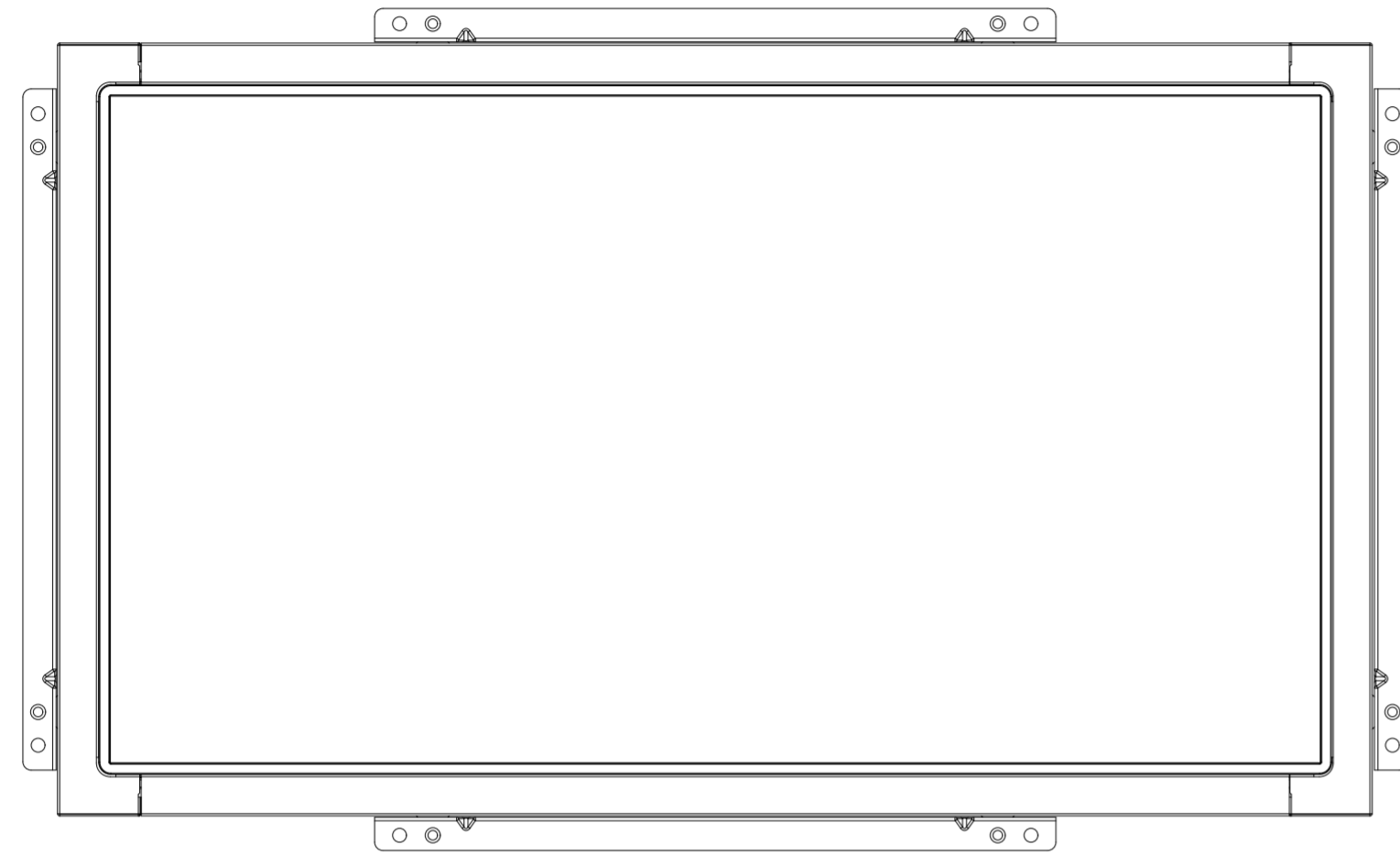


INTELLITOUCH, ACCUTOUCH, AND SECURETOUCH MODEL



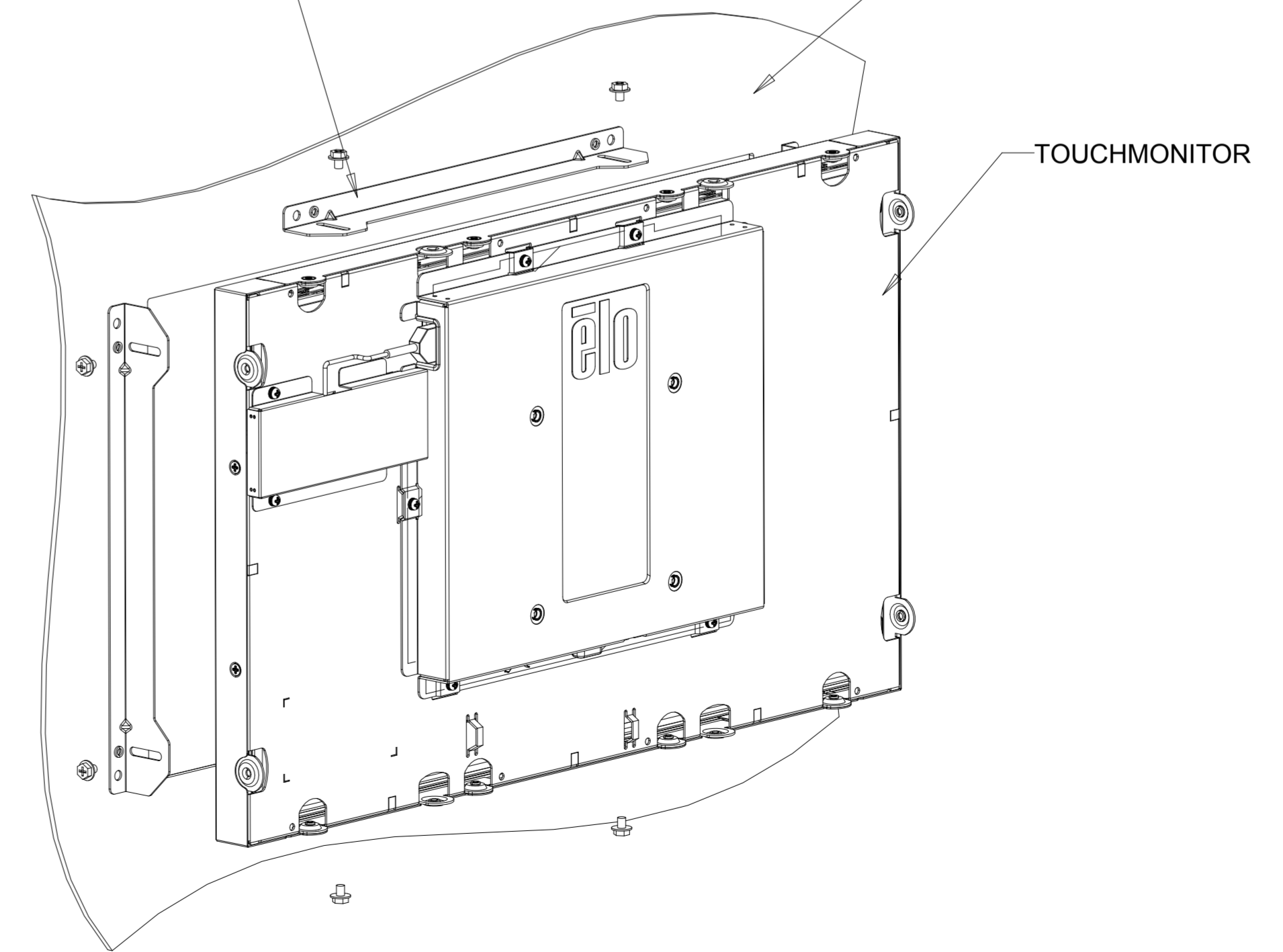
INTELLITOUCH, ACCUTOUCH, AND SECURETOUCH MODEL

WITH SIDE MOUNTING BRACKETS (4 INCLUDED)
 REPLACEMENT BRACKET KIT P/N E201156 AVAILABLE SEPARATELY

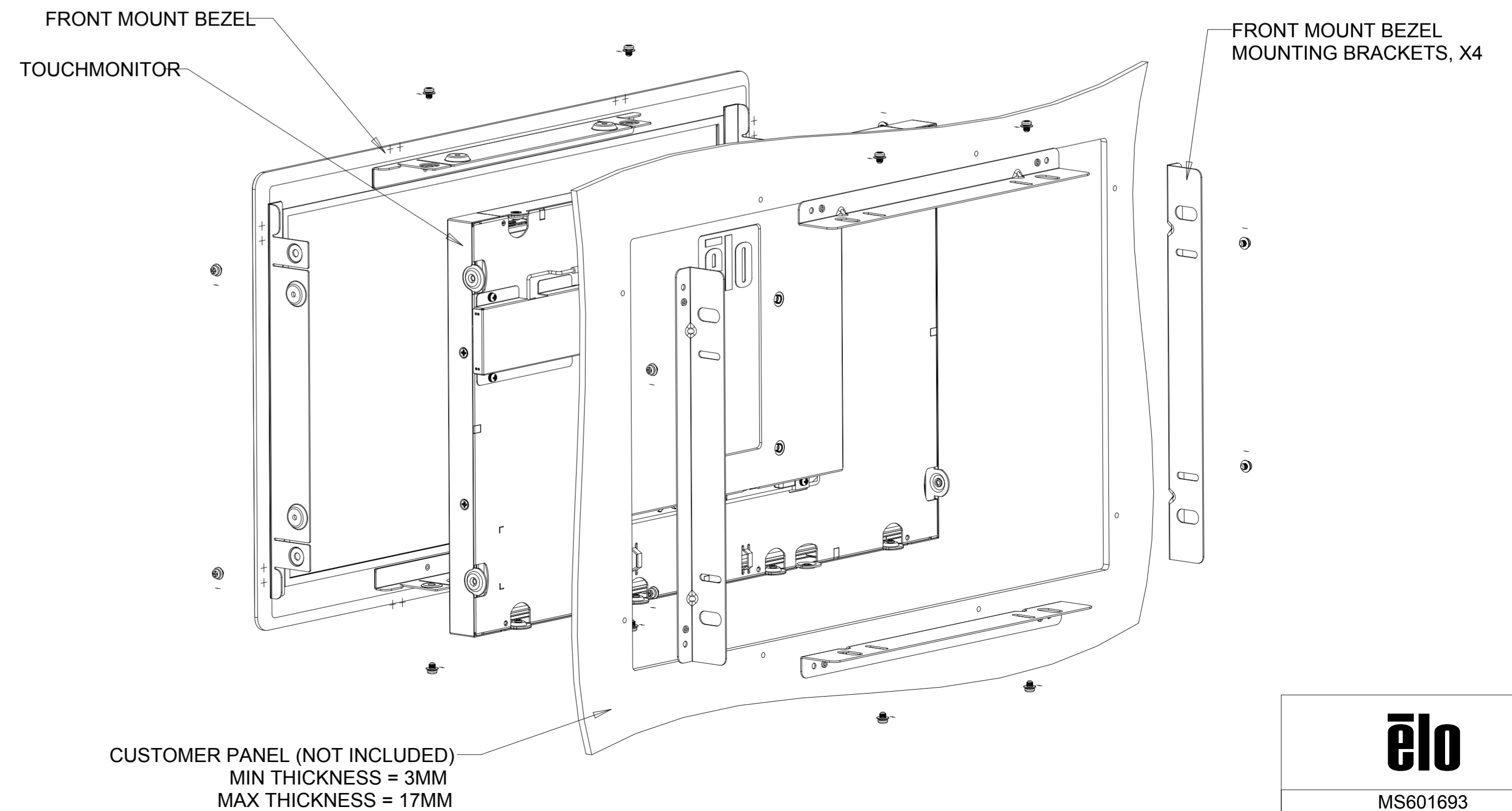
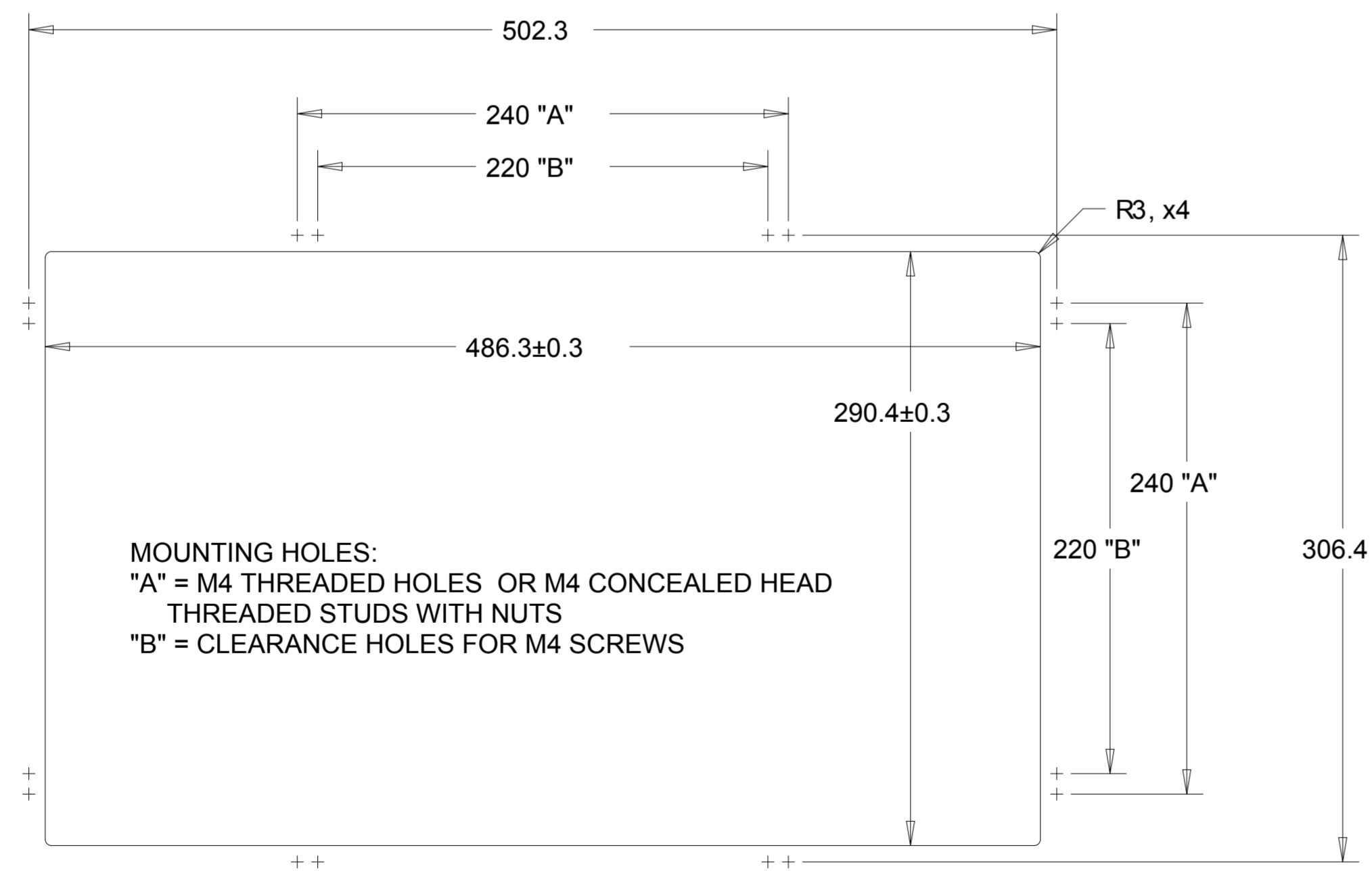
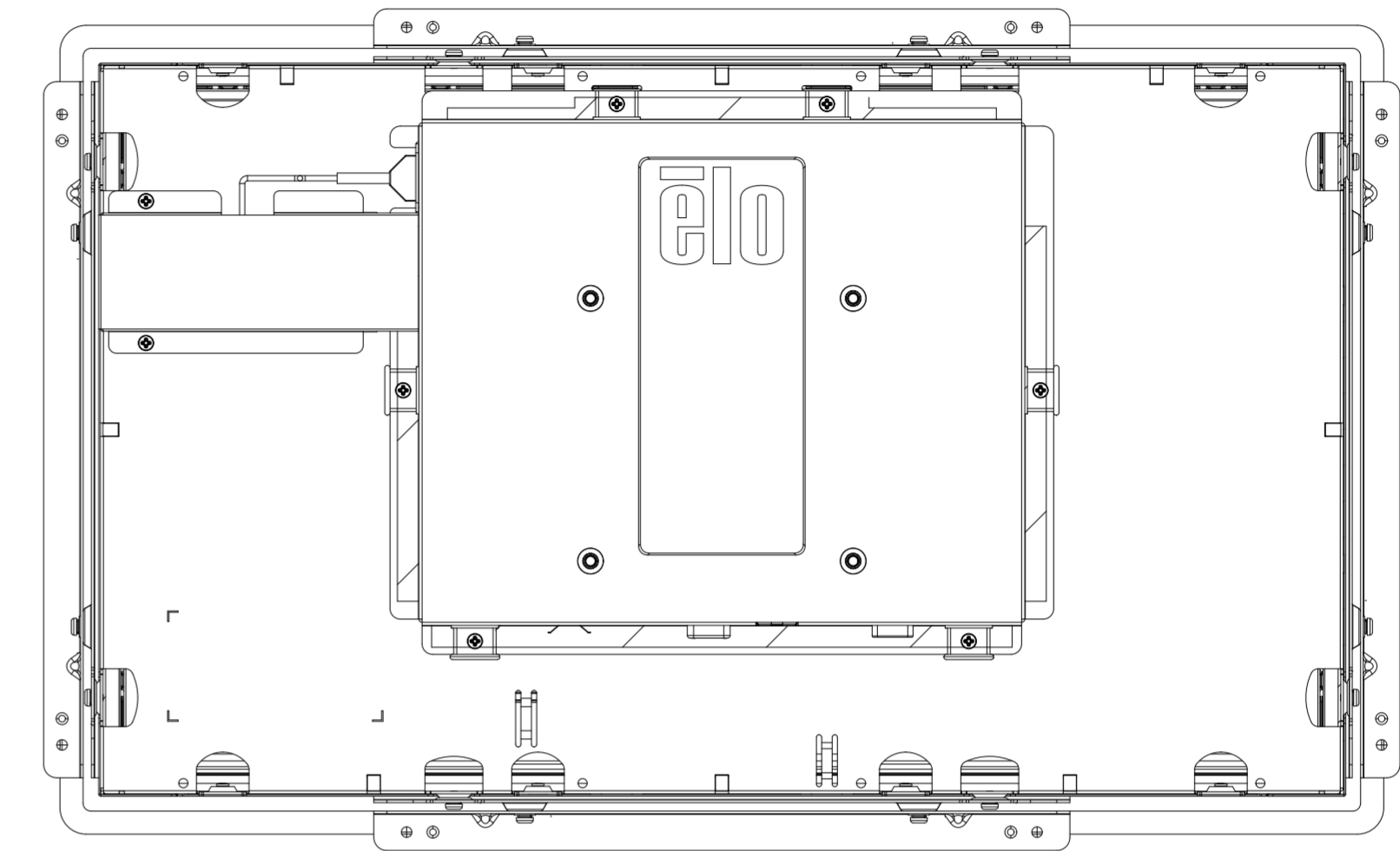
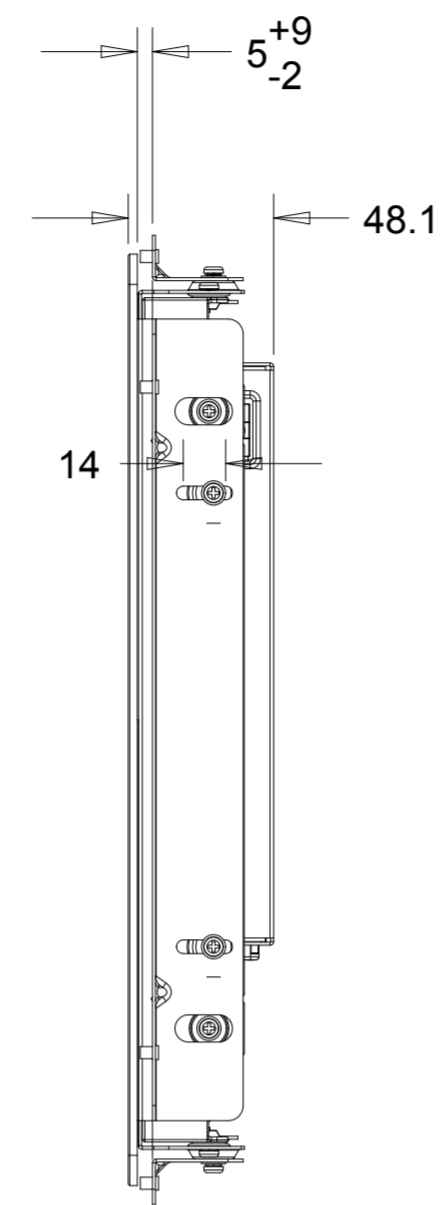
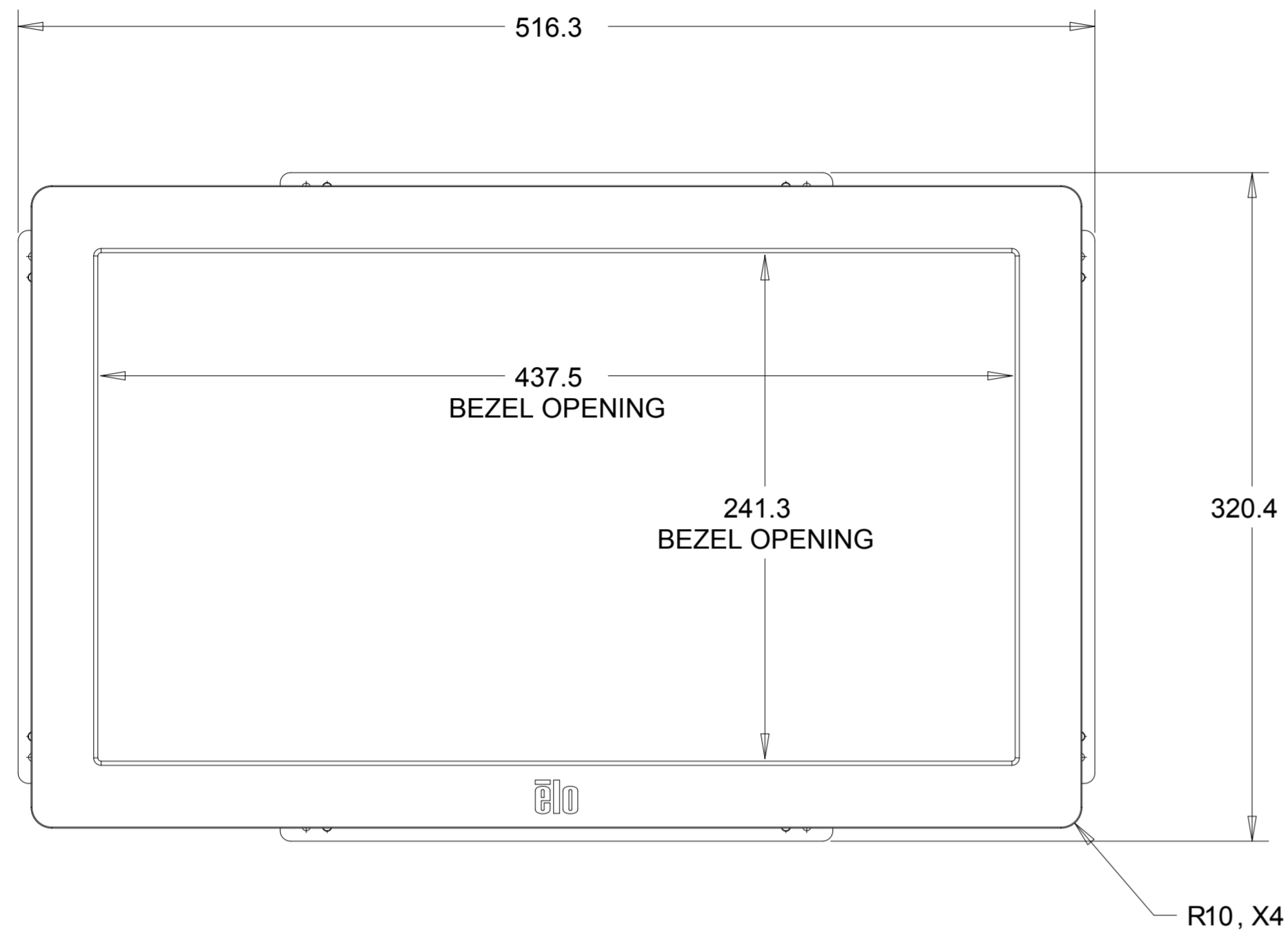


MOUNTING BRACKETS
 X4 INCLUDED WITH KIT

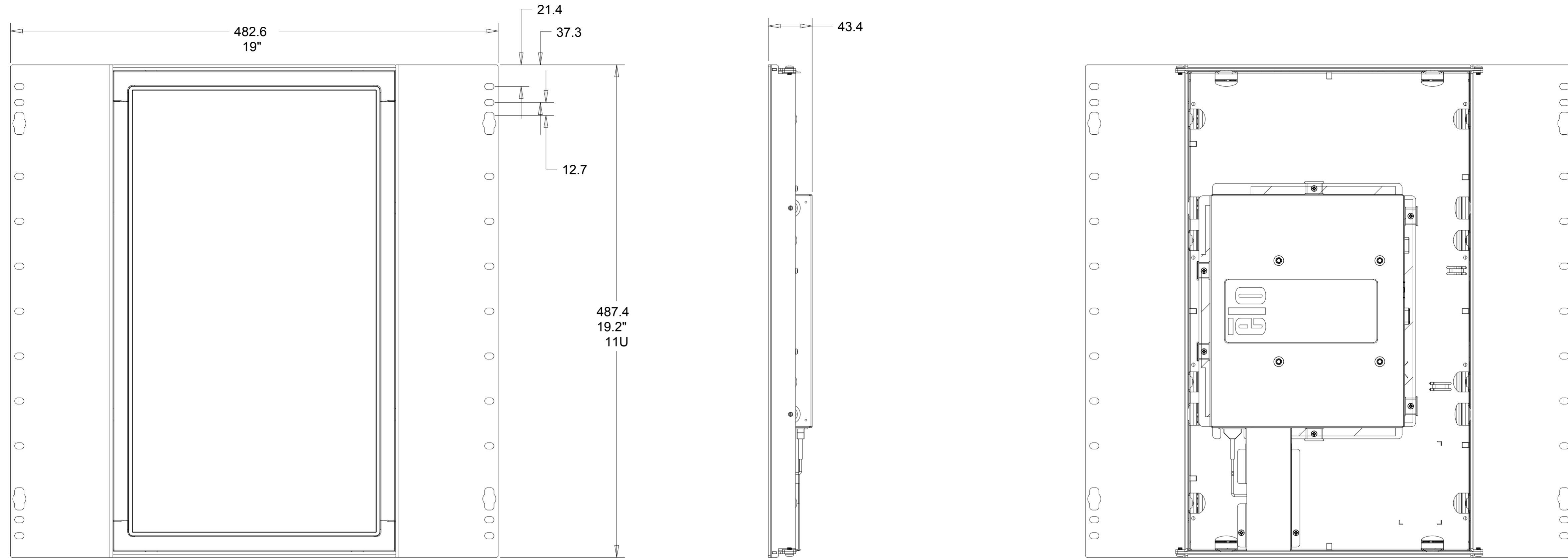
CUSTOMER PANEL
 (NOT INCLUDED)



OPTIONAL FRONT MOUNT BEZEL KIT P/N E553352
 COMPATIBLE WITH INTELLITOUCH, ACCUTOUCH, AND SECURETOUCH MODEL ONLY



OPTIONAL RACK MOUNT BEZEL KIT P/N E553538
 COMPATIBLE WITH INTELLITOUCH, ACCUTOUCH, AND SECURETOUCH MODEL ONLY



- NOTES:
 1. REQUIRES 11U RACK SPACE
 2. TOUCHMONITOR IS MOUNTED IN PORTRAIT ORIENTATION
 3. HOLE SPACING PER EIA-310-D

