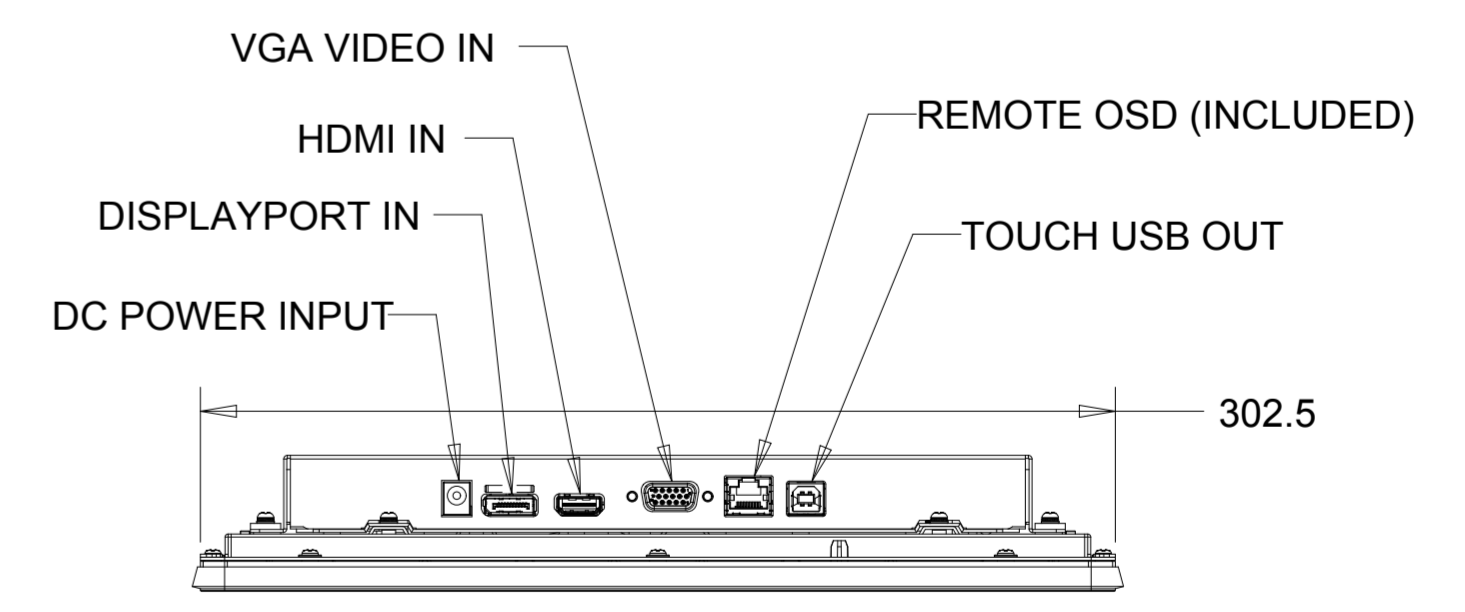
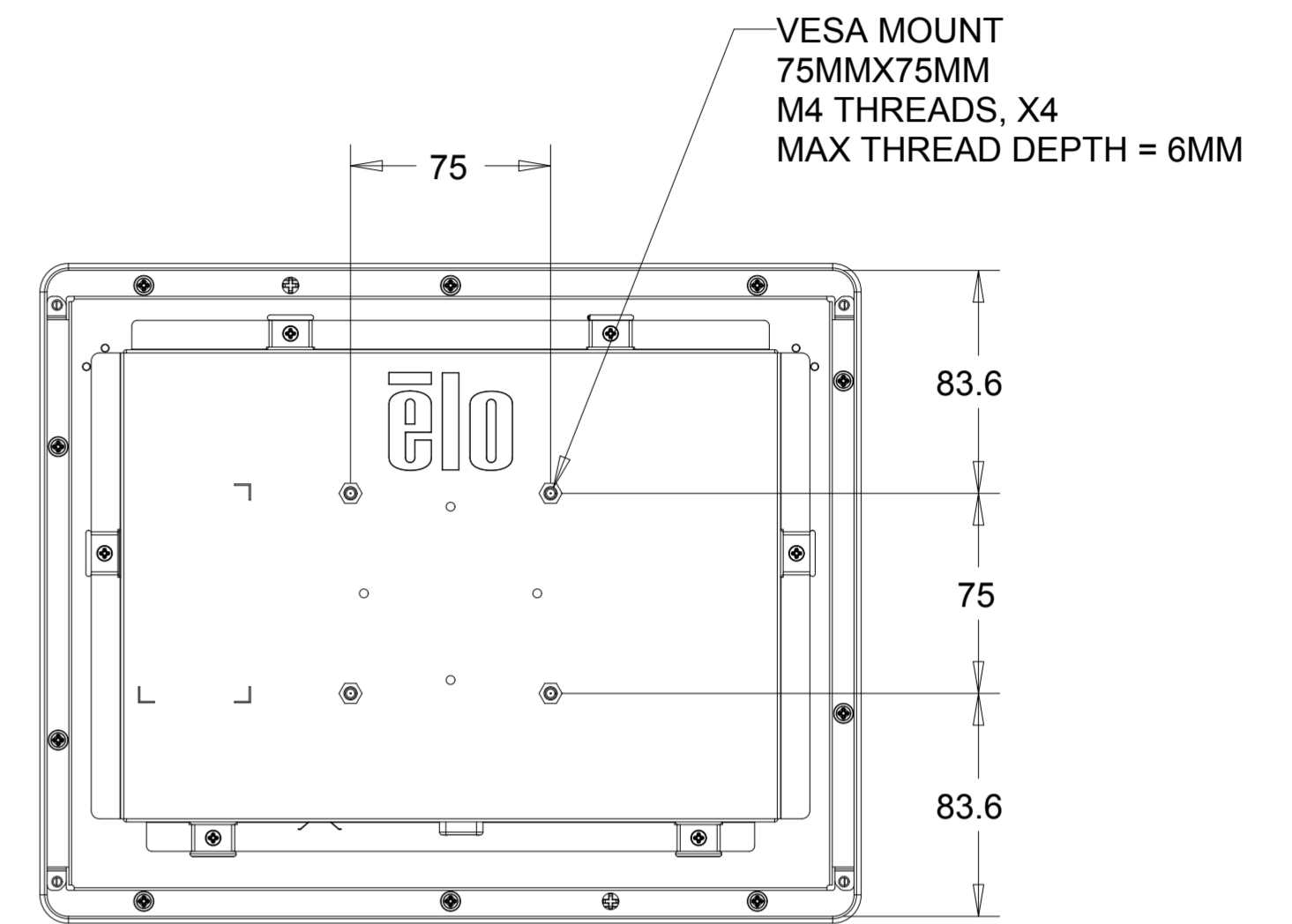
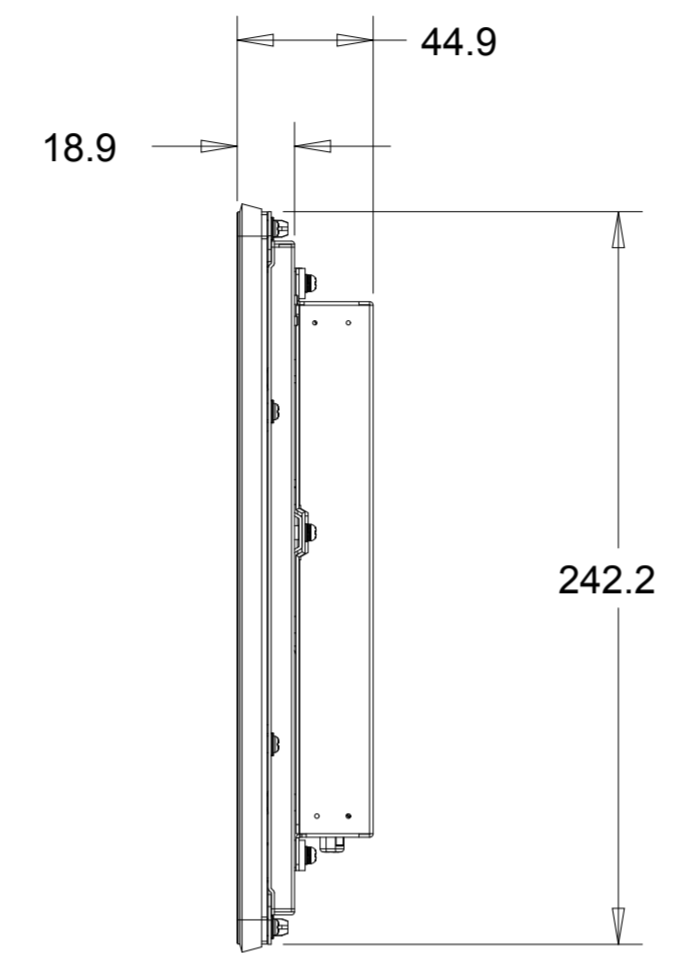
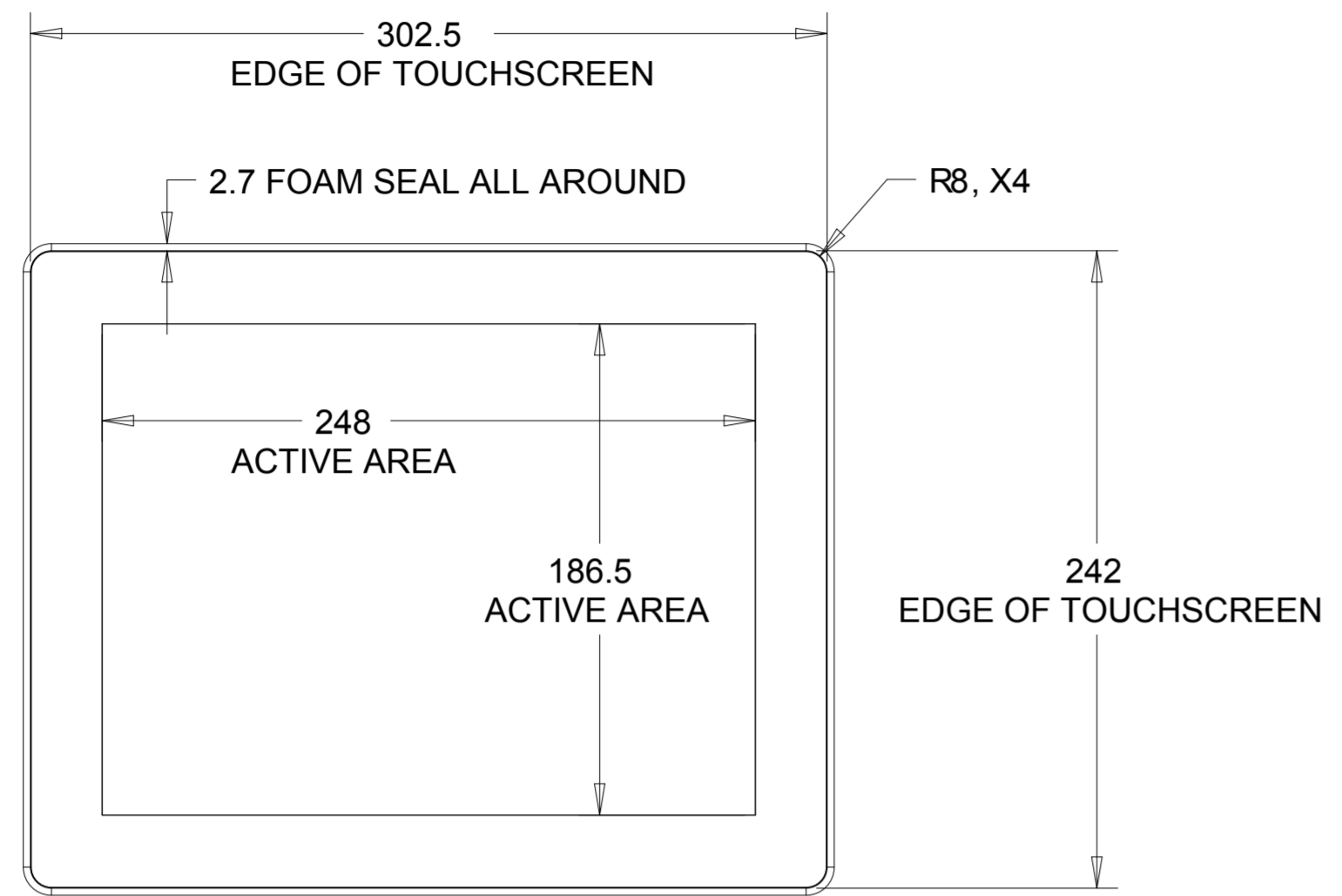


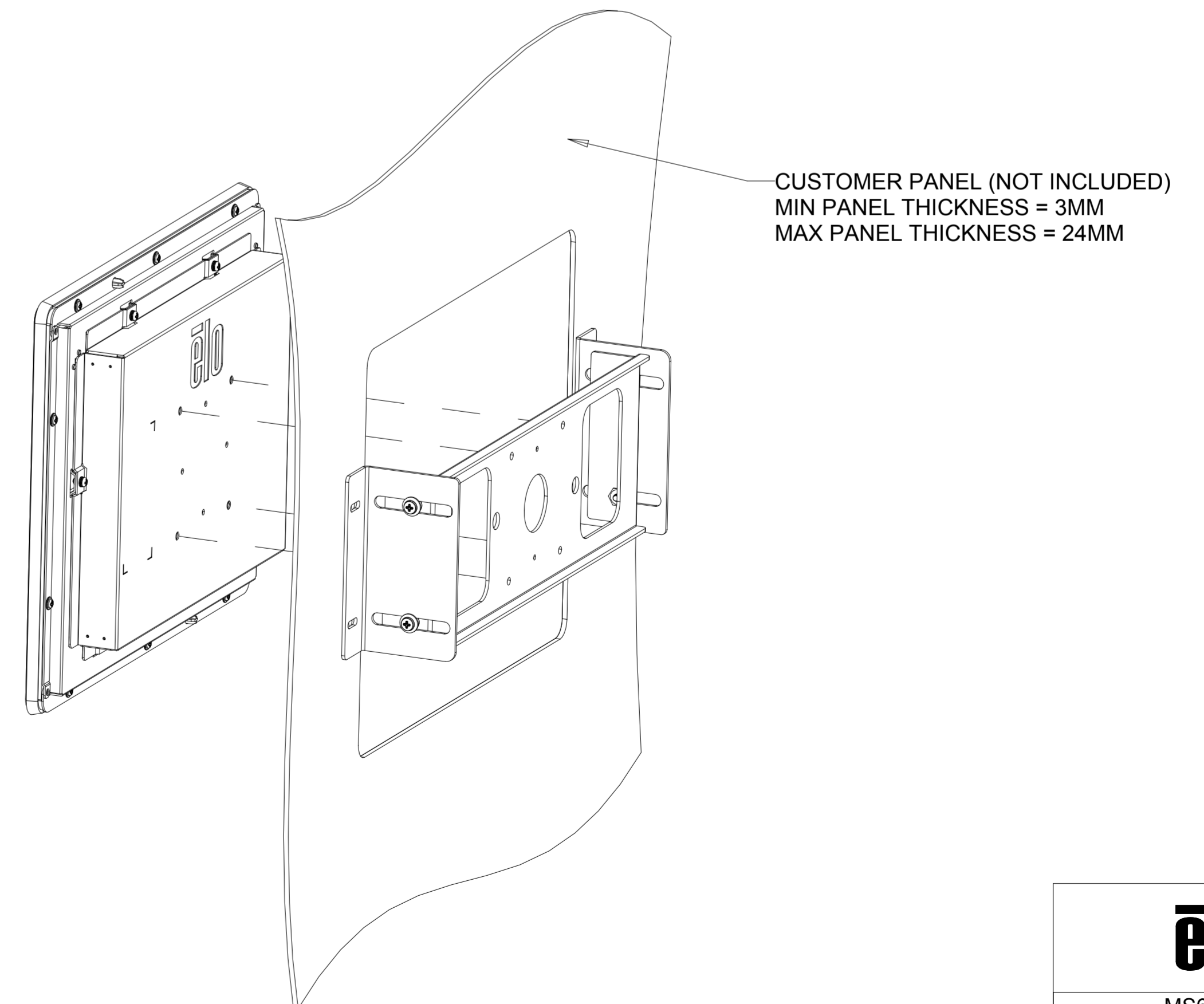
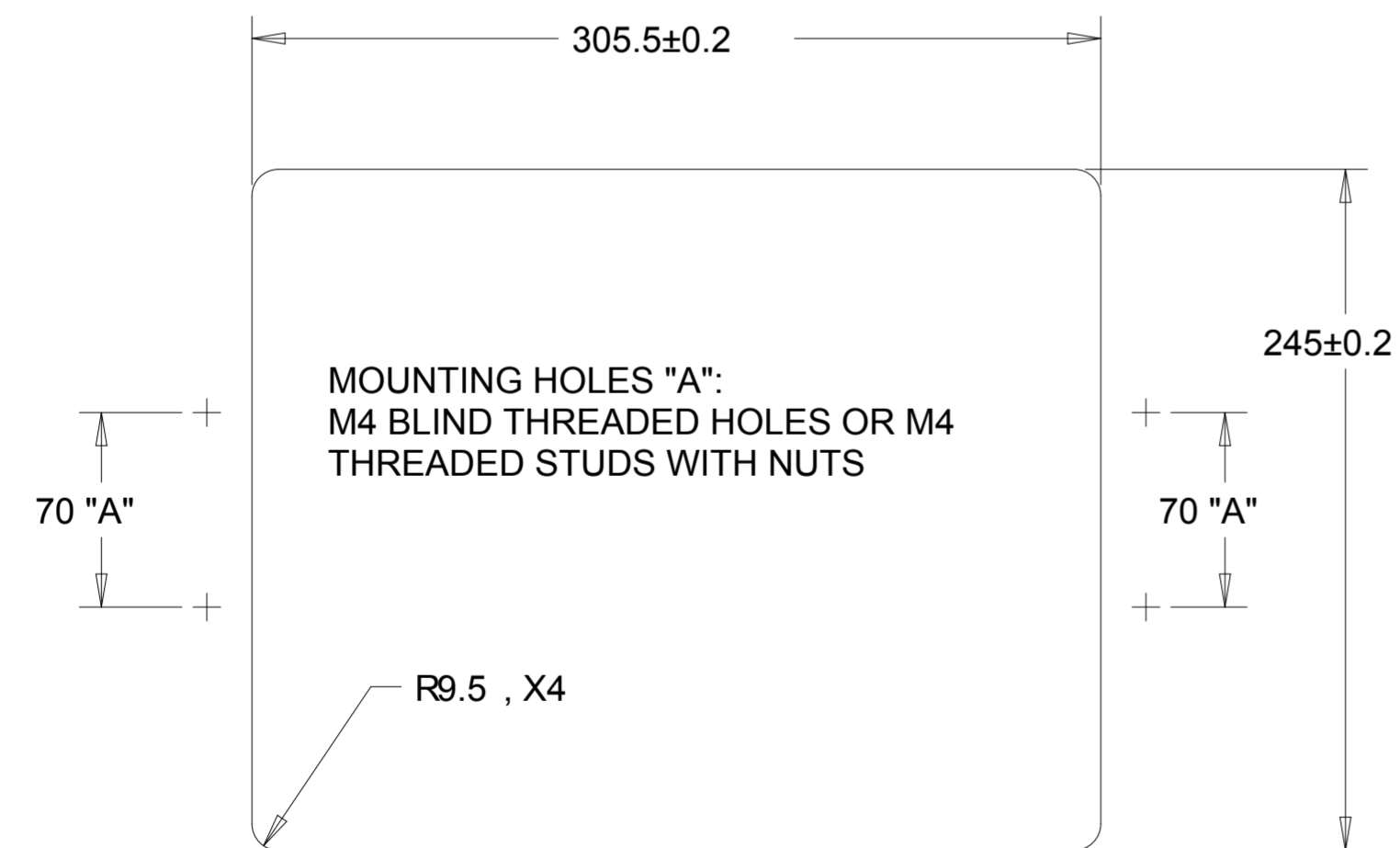
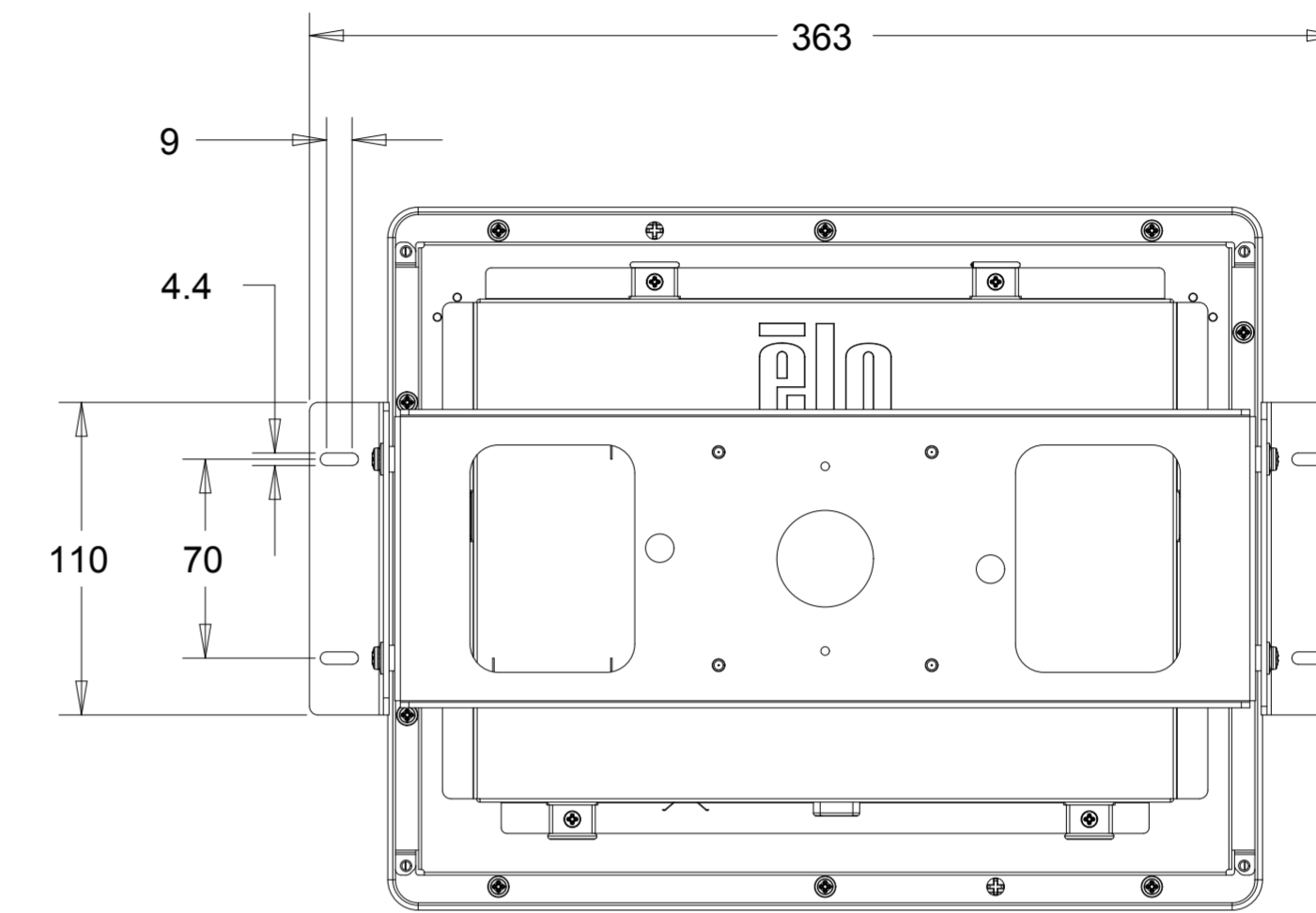
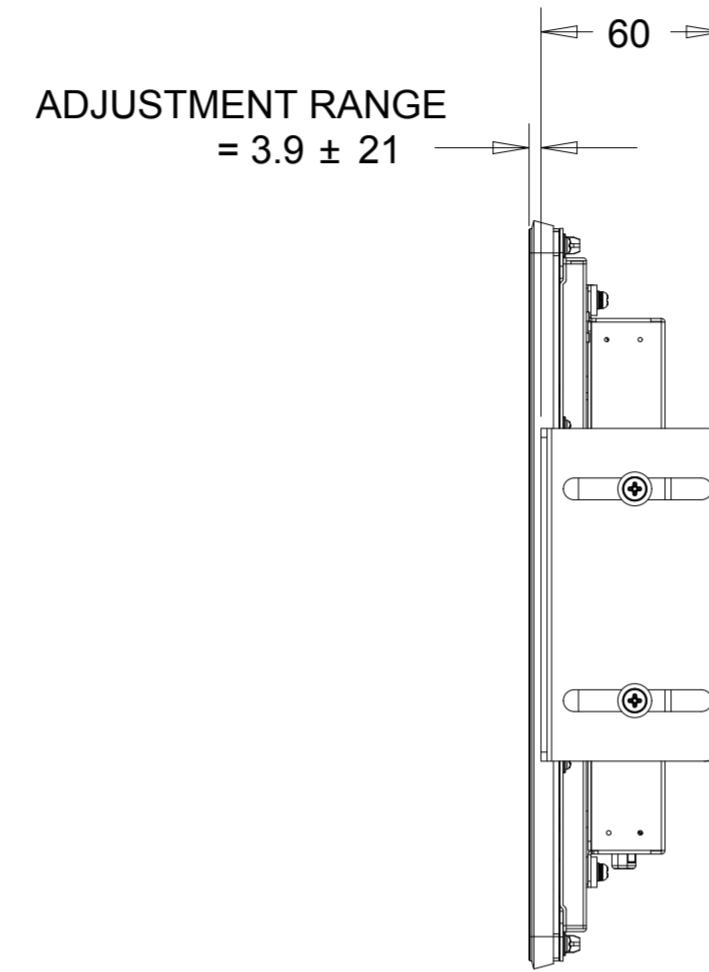
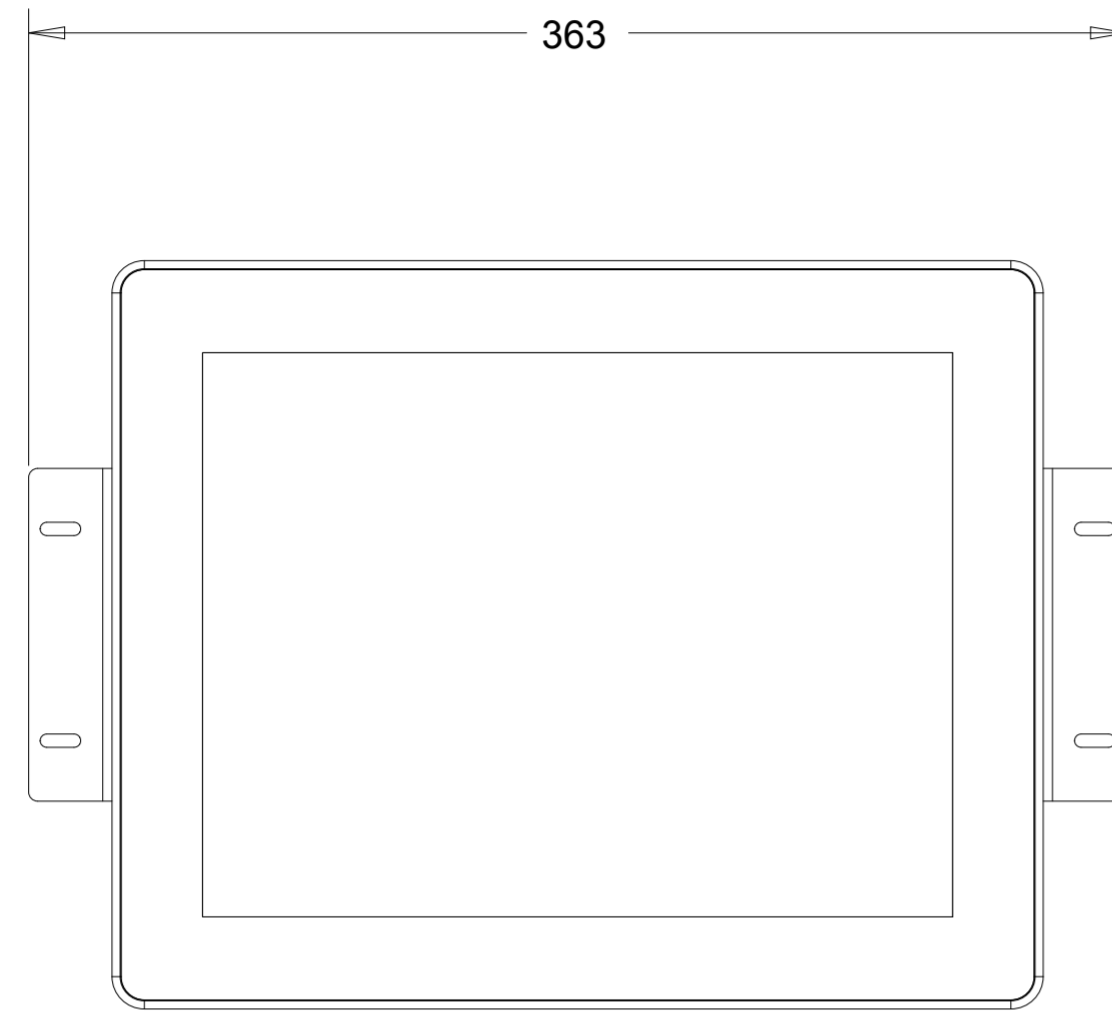
PROJECTED CAPACITIVE MODEL



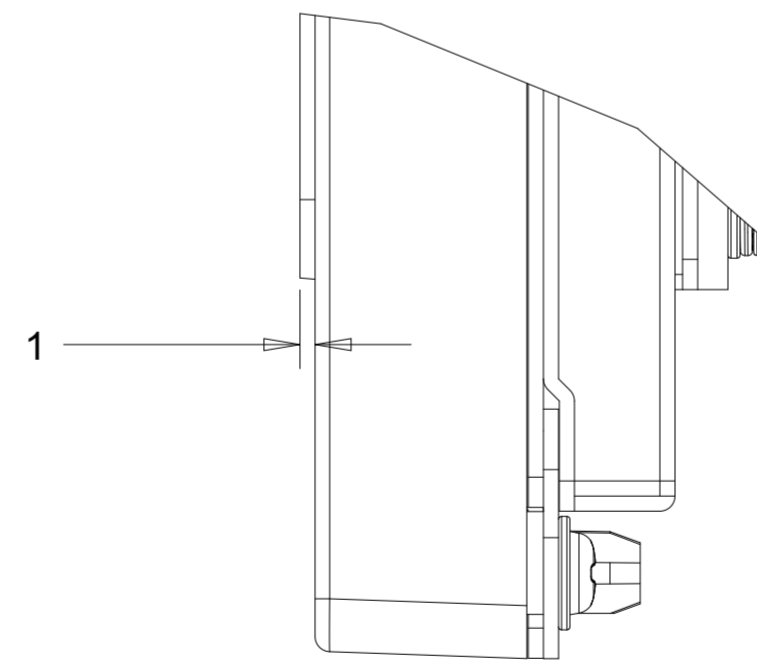
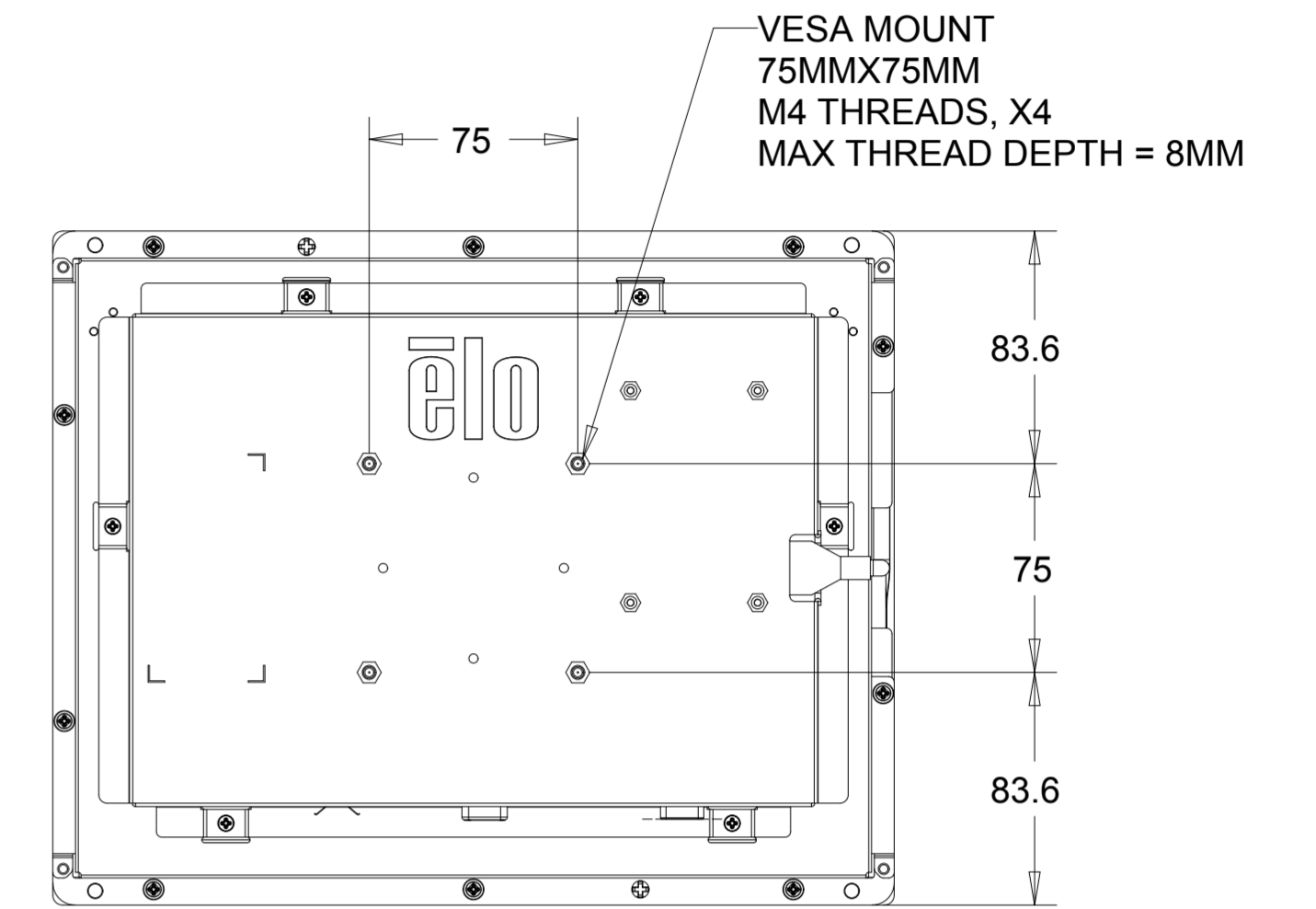
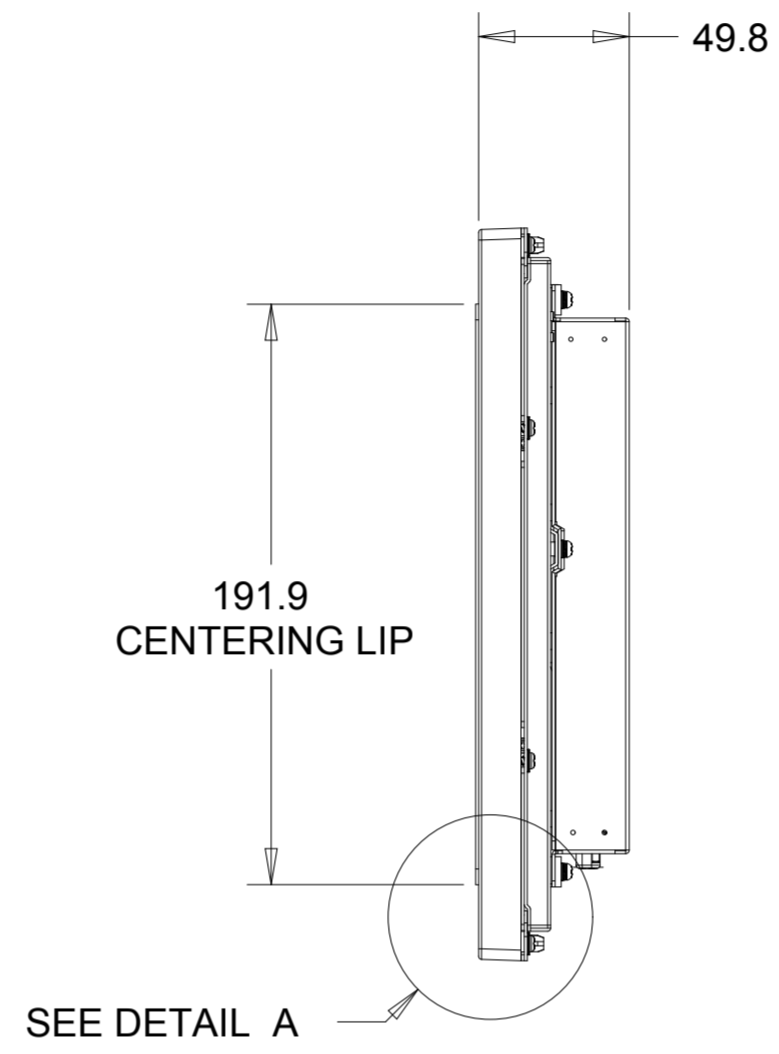
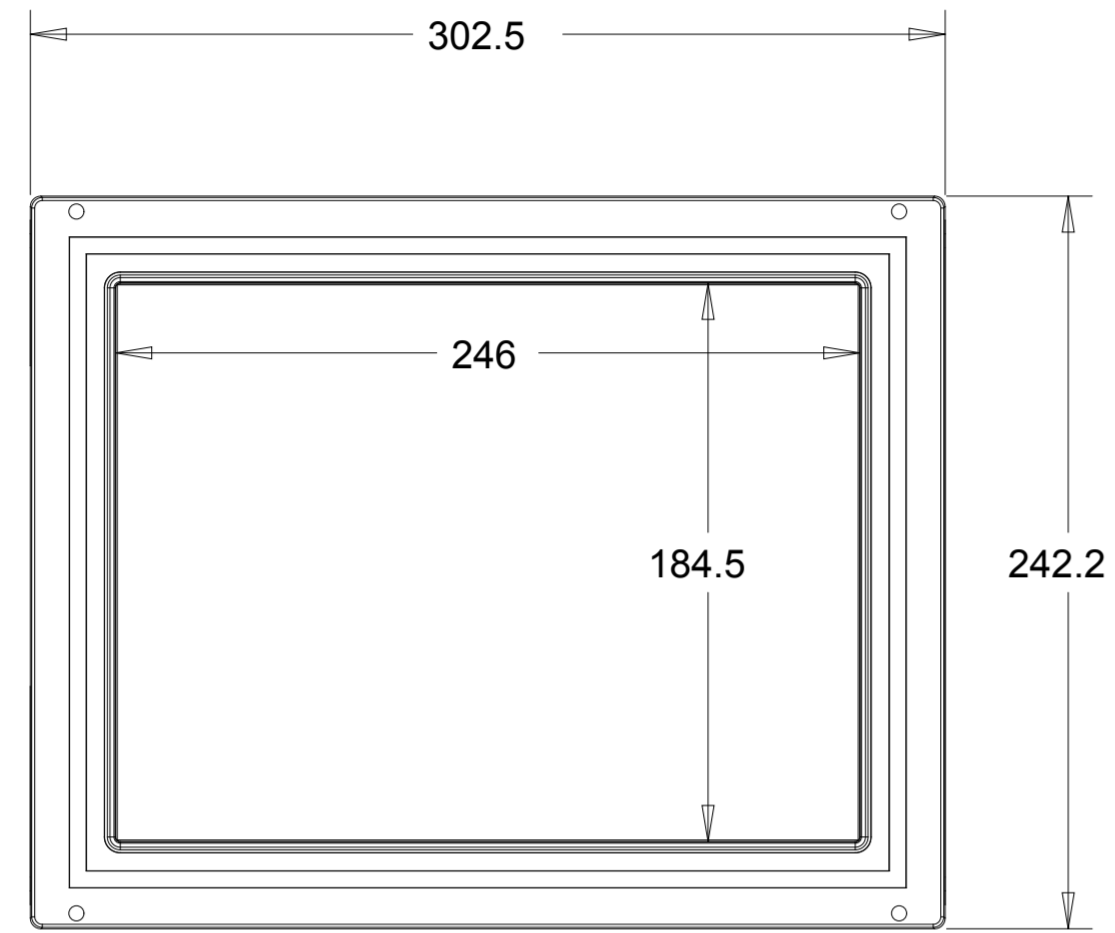
PROJECTED CAPACITIVE MODEL

WITH FLUSH MOUNTING BRACKET (1 INCLUDED)

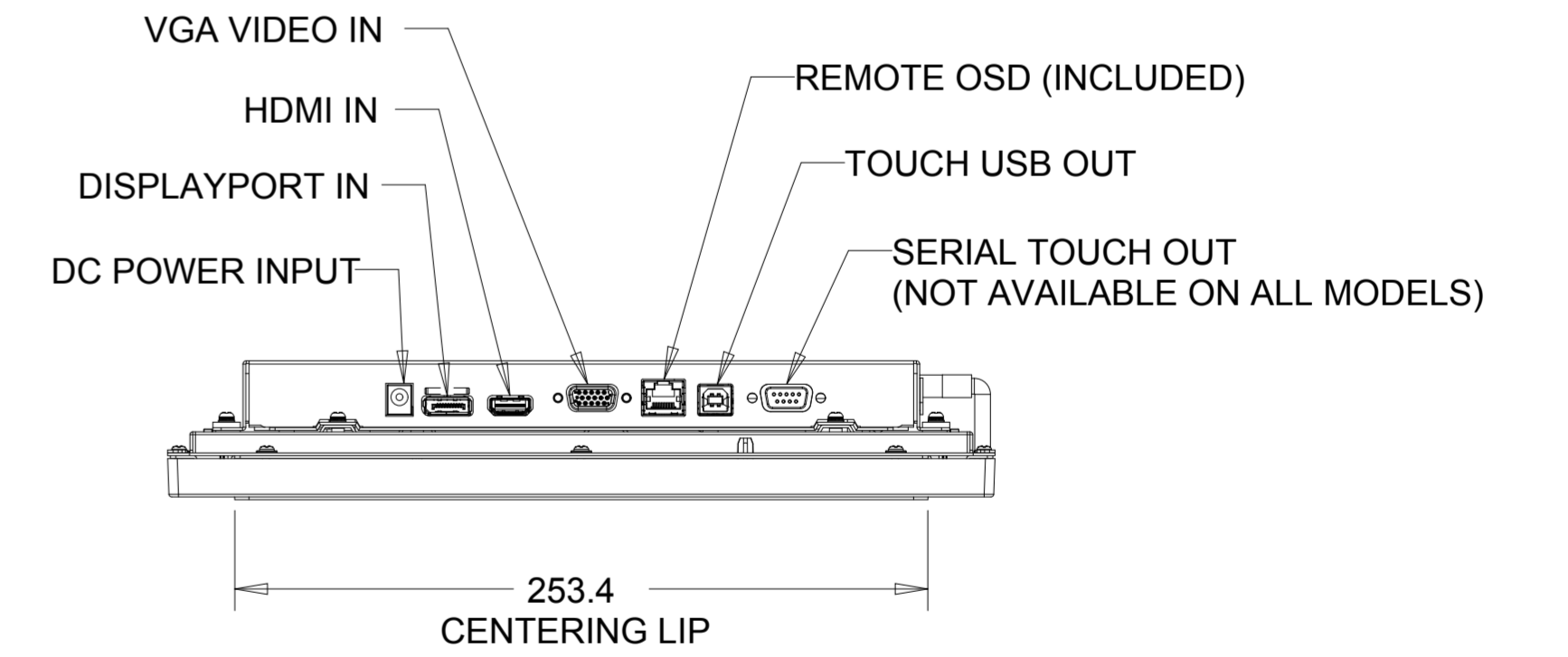
REPLACEMENT BRACKET KIT P/N E548984 AVAILABLE SEPARATELY



INTELLITOUCH, ACCUTOUCH, AND SECURETOUCH MODEL

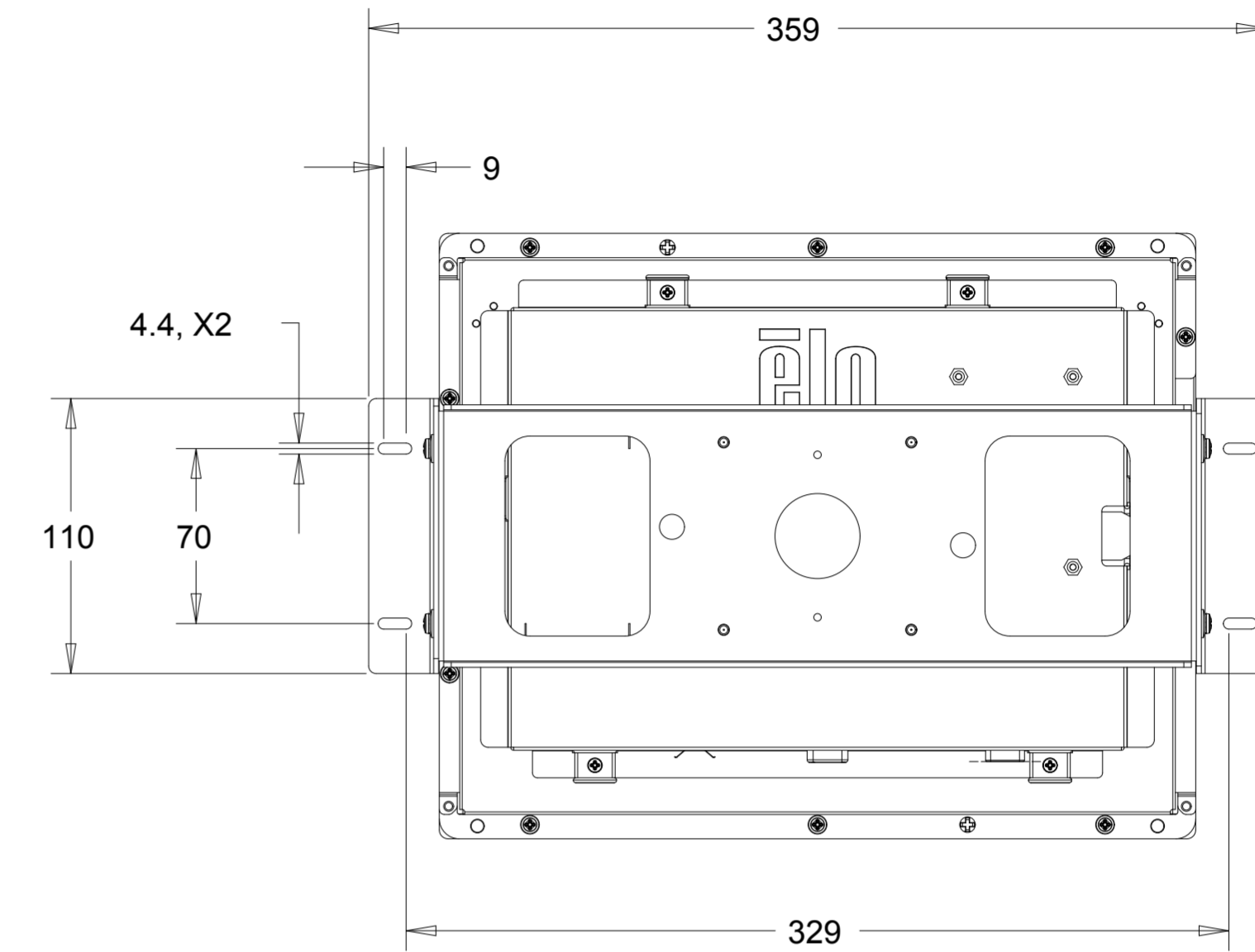
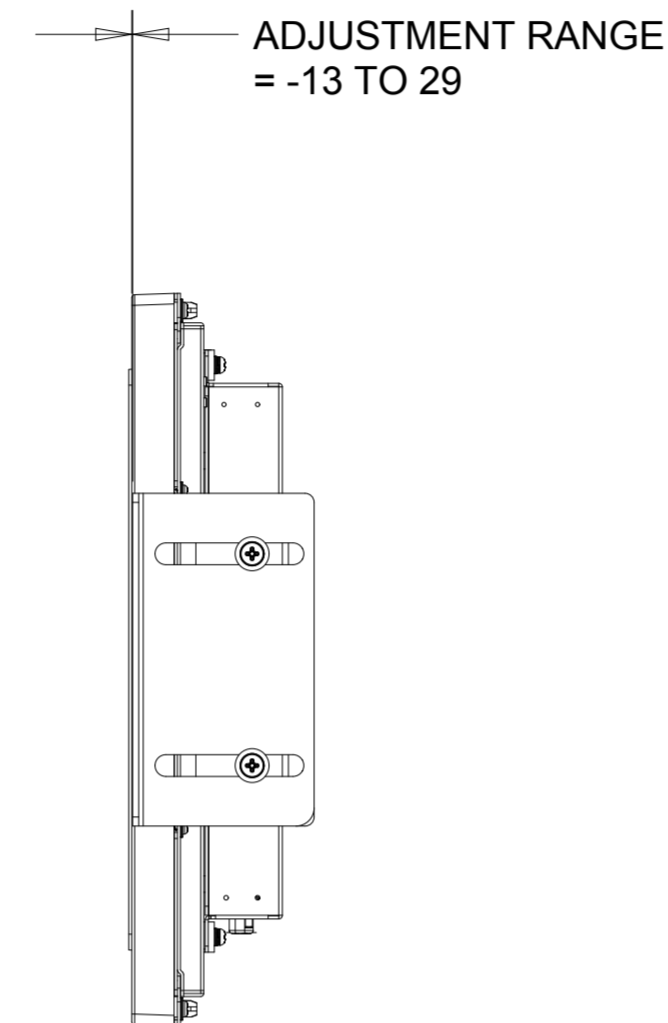
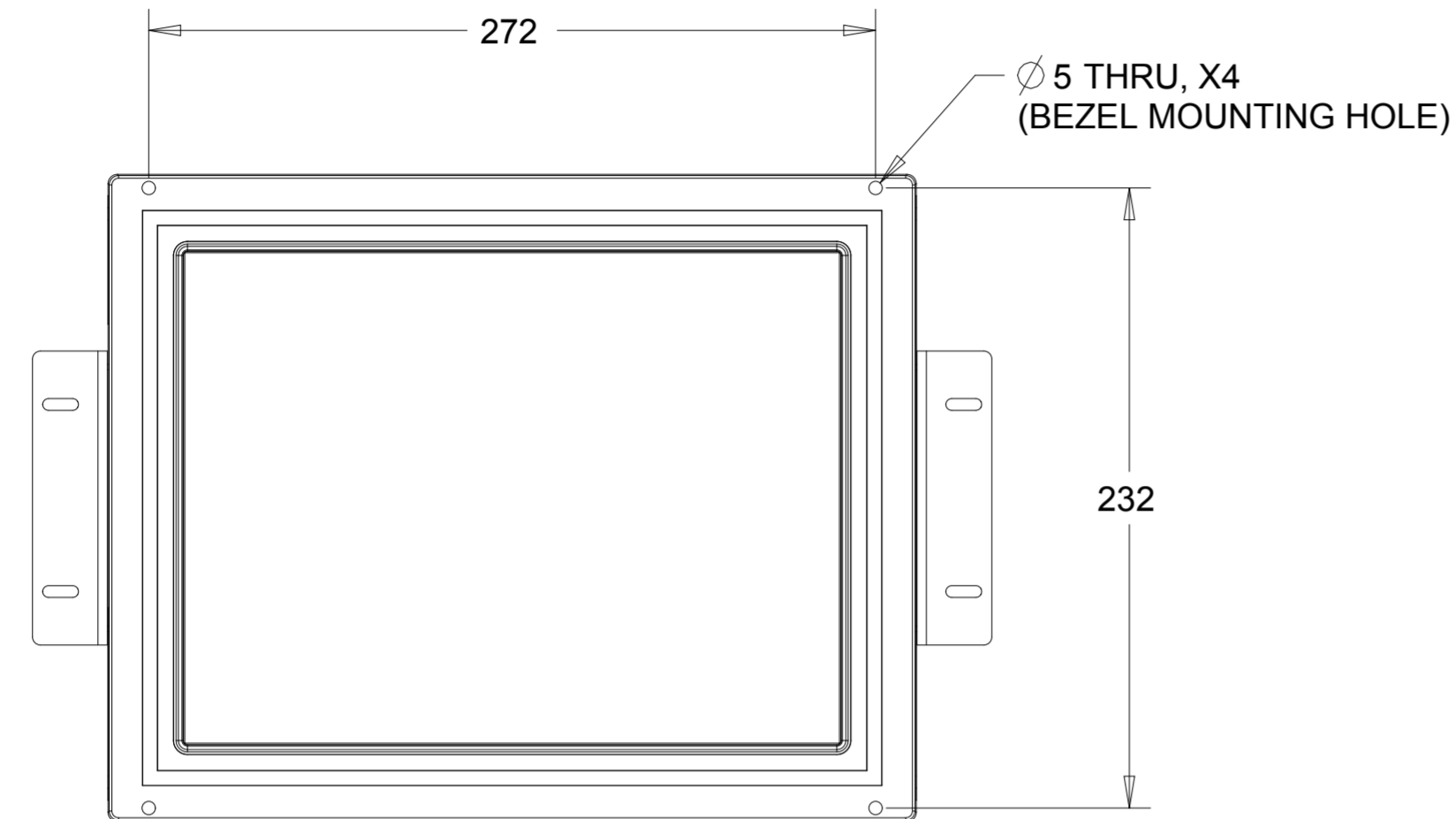


DETAIL A
CENTERING LIP
SCALE 2.000

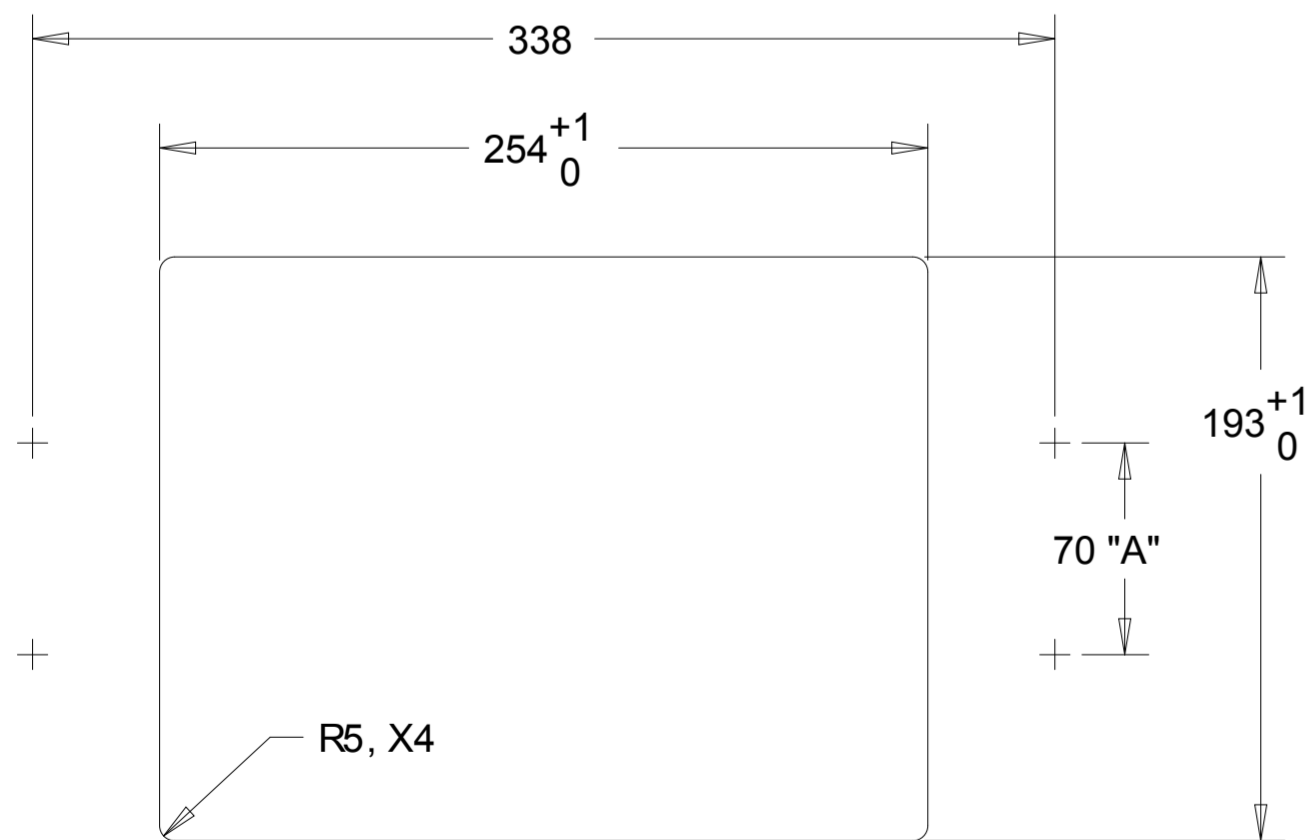


INTELLITOUCH, ACCUTOUCH, AND SECURETOUCH MODEL

WITH MOUNTING BRACKET (1 INCLUDED)
 REPLACEMENT BRACKET KIT P/N E549171 AVAILABLE SEPARATELY



BRACKET MOUNTING HOLES "A":
 M4 BLIND THREADED HOLES OR M4
 THREADED STUDS WITH NUTS



BEZEL (NO-BRACKET) MOUNTING "A":
 M4 BLIND THREADED HOLES OR M4
 THREADED STUDS WITH NUTS

