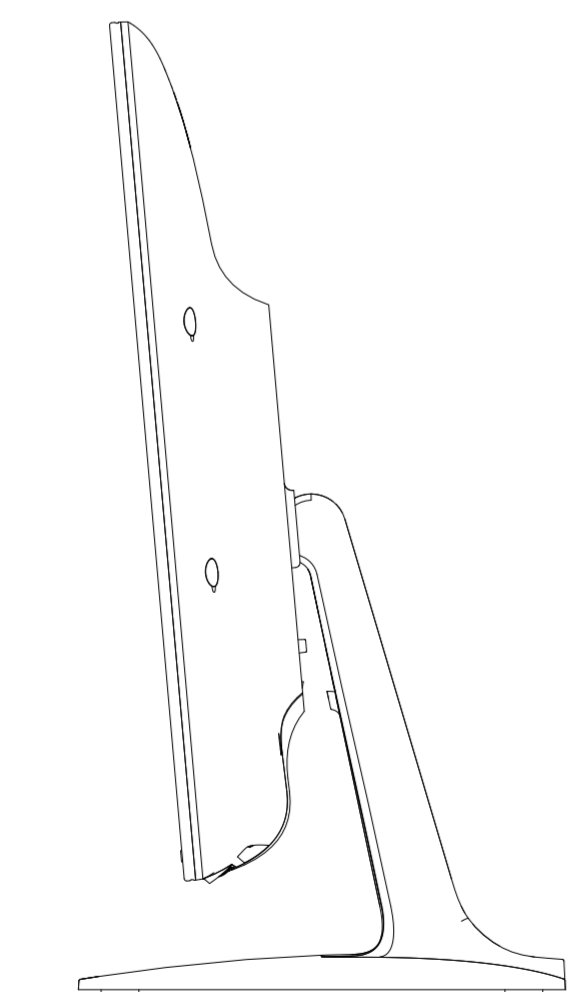
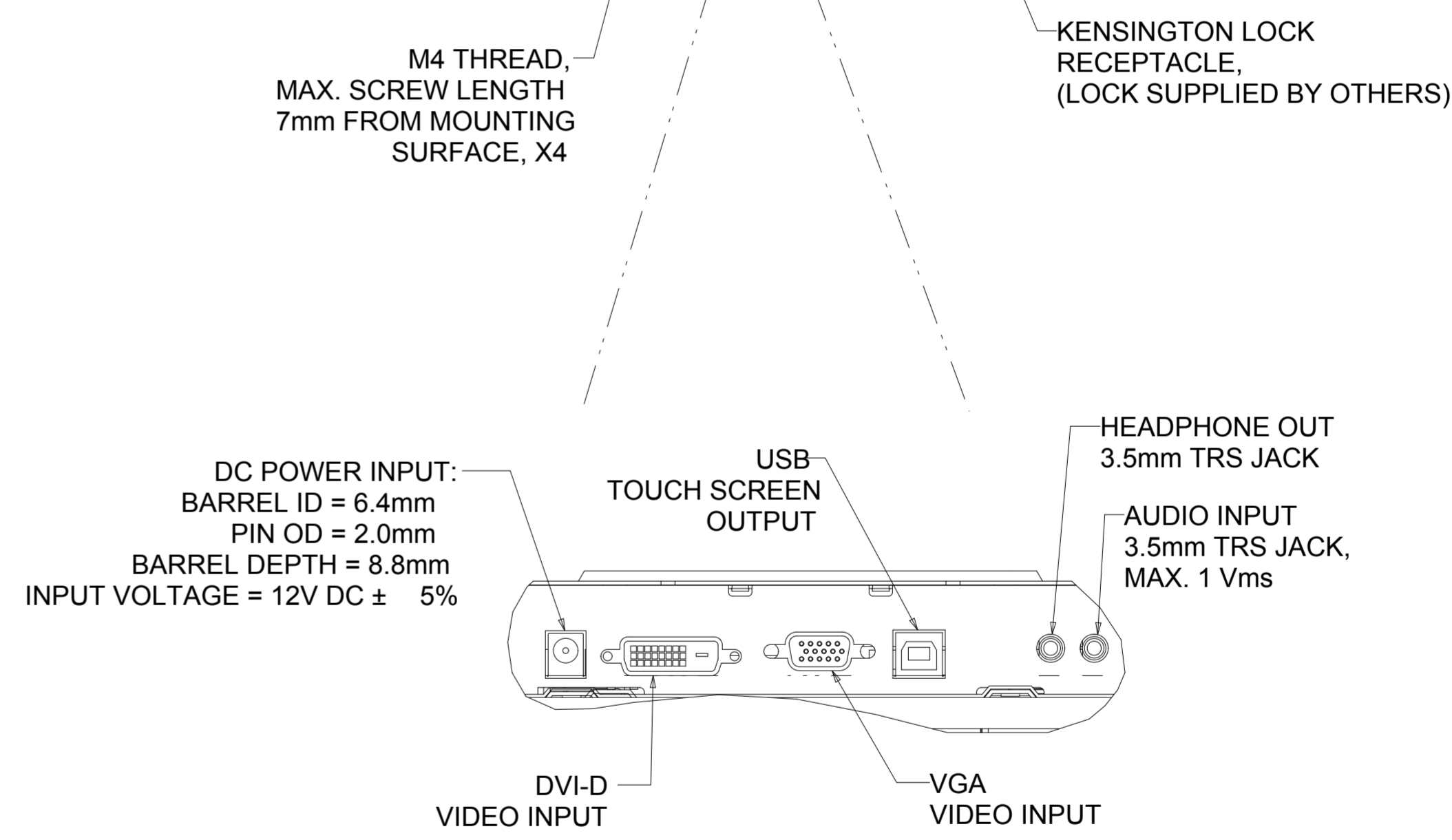
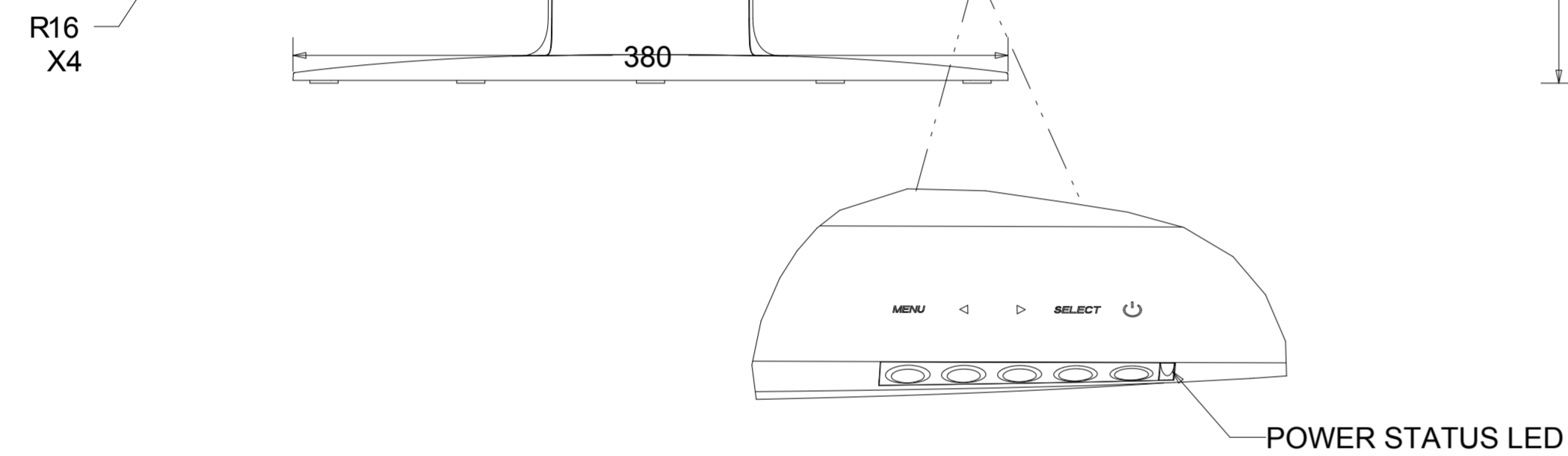
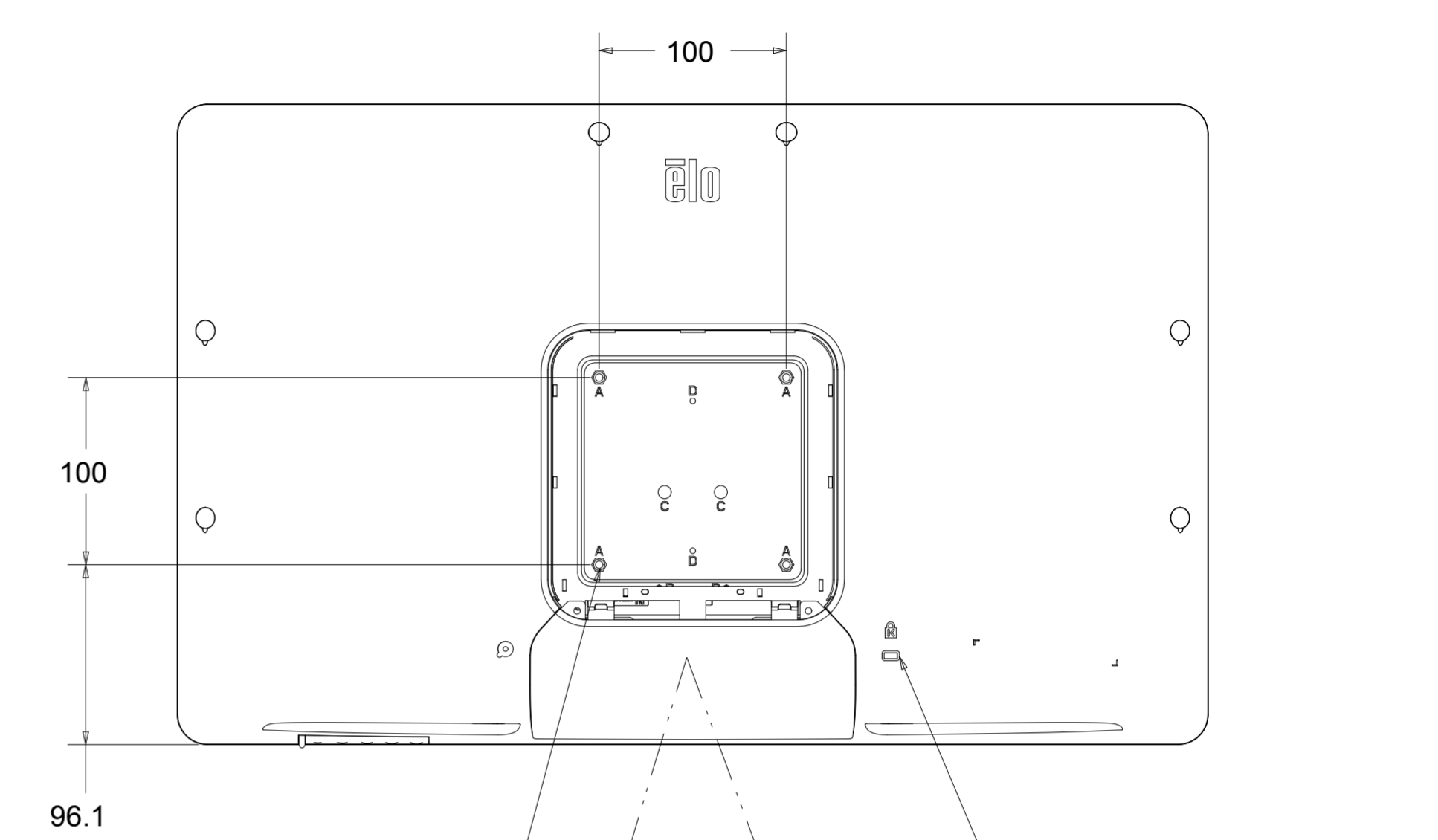
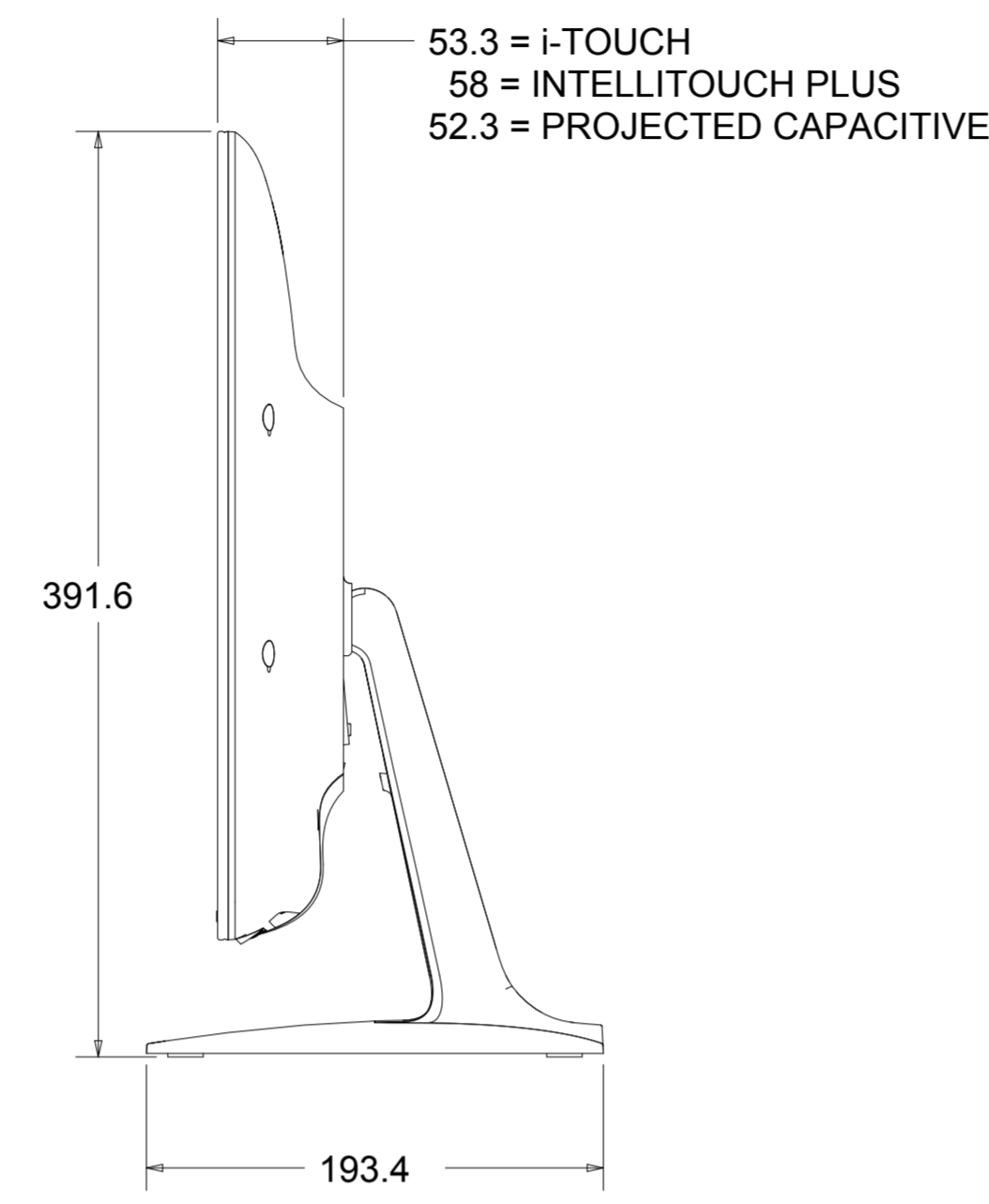
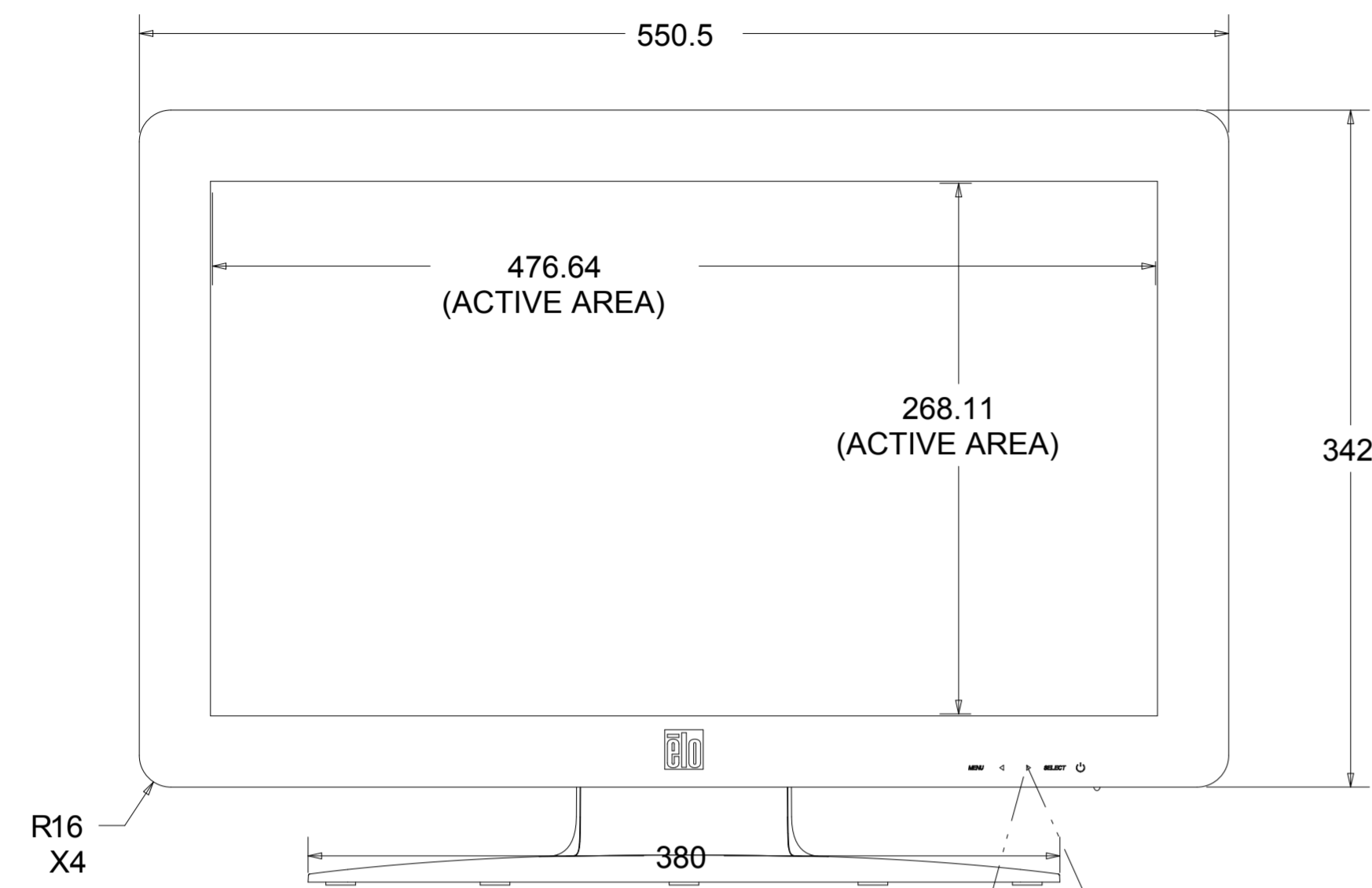
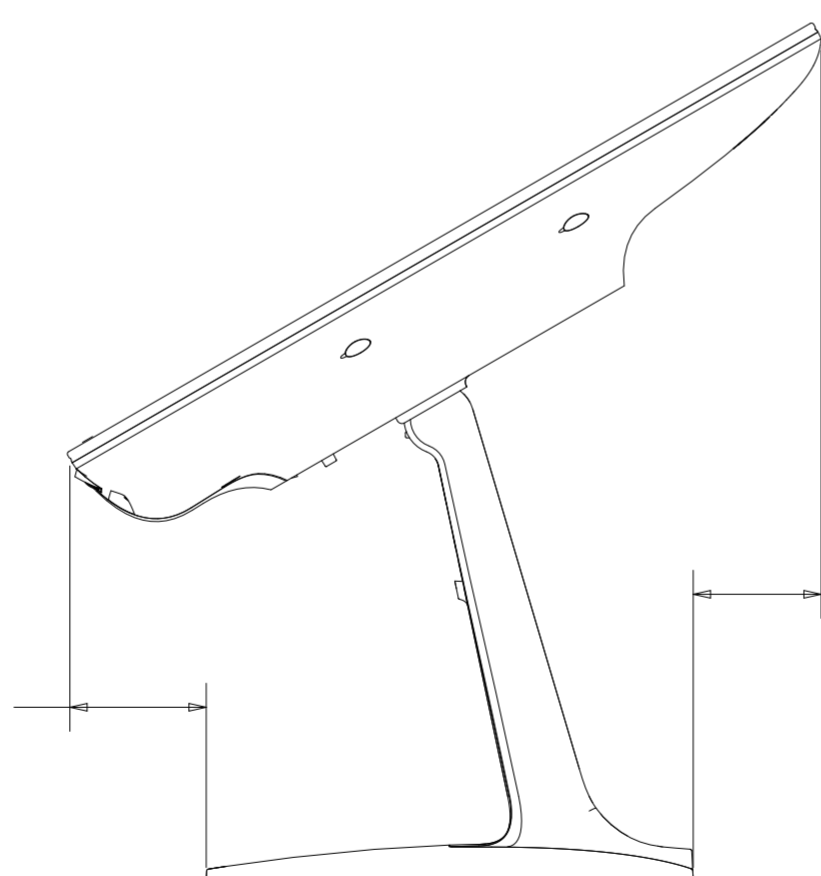


NOTE:
ALL DIMS. +/- 1mm UNLESS NOTED

DIMENSIONAL DRAWING: 2201L



TILT -5° FROM VERTICAL



TILT 60° FROM VERTICAL

OSD CONTROLS

POWER STATUS LED

DC POWER INPUT:
BARREL ID = 6.4mm
PIN OD = 2.0mm
BARREL DEPTH = 8.8mm
INPUT VOLTAGE = 12V DC ± 5%

DVI-D VIDEO INPUT

USB TOUCH SCREEN OUTPUT

VGA VIDEO INPUT

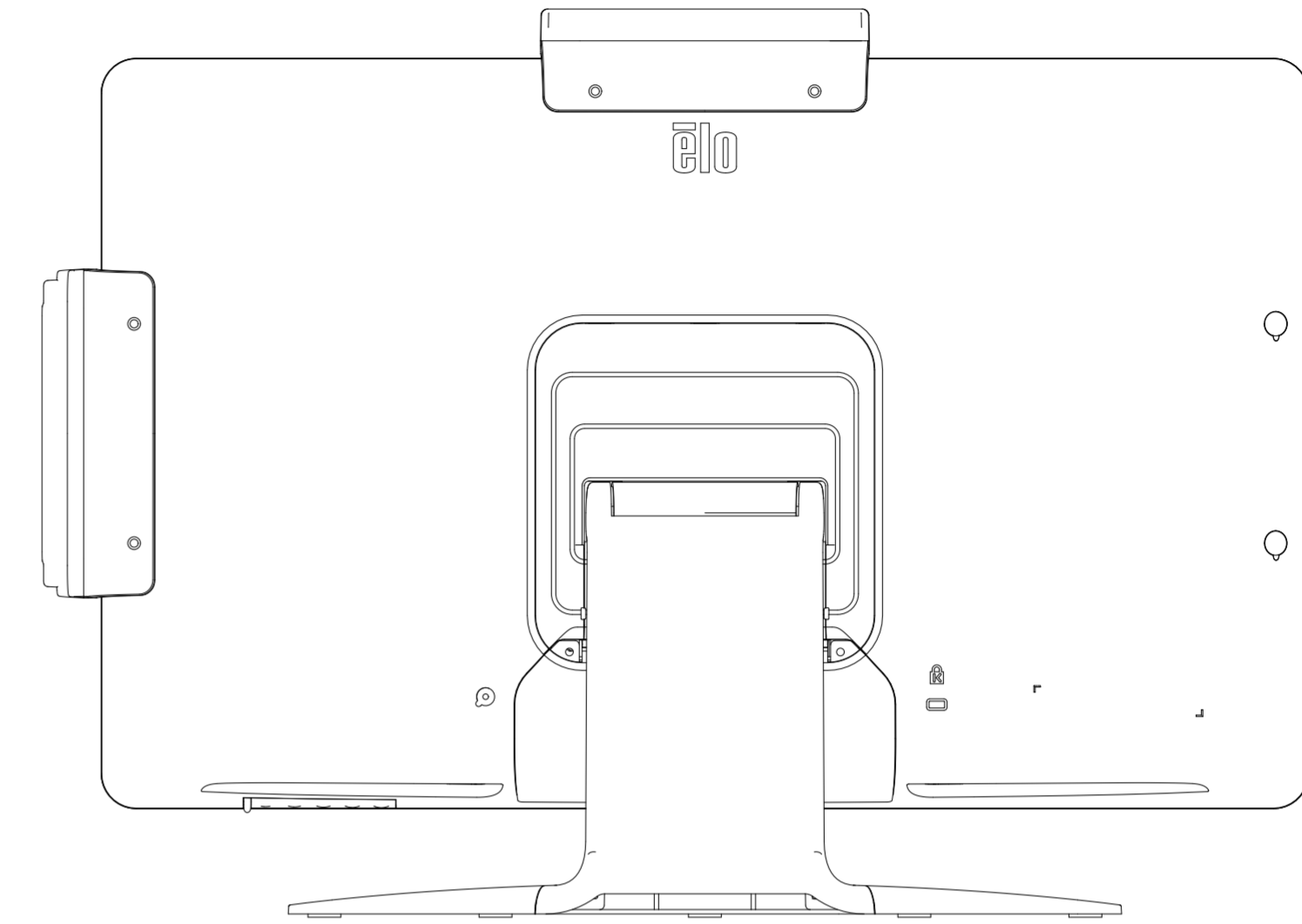
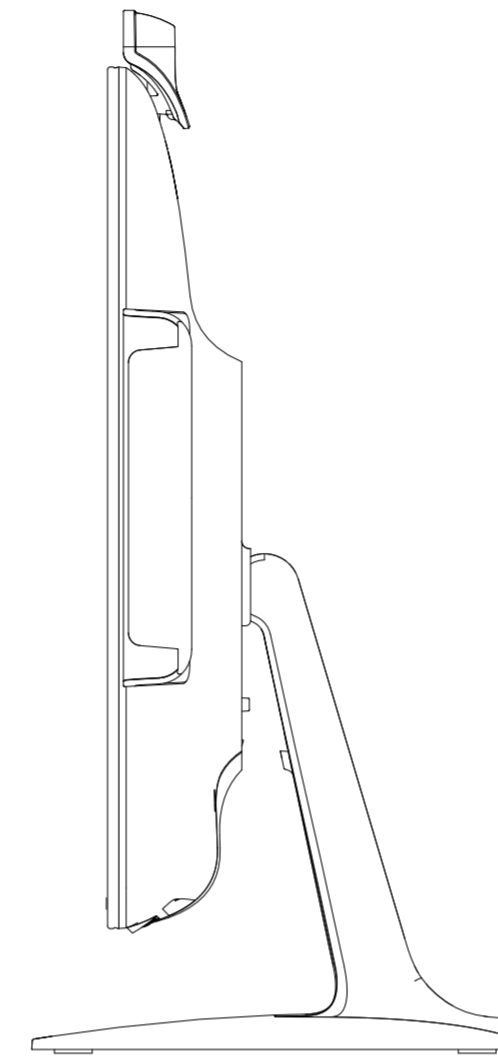
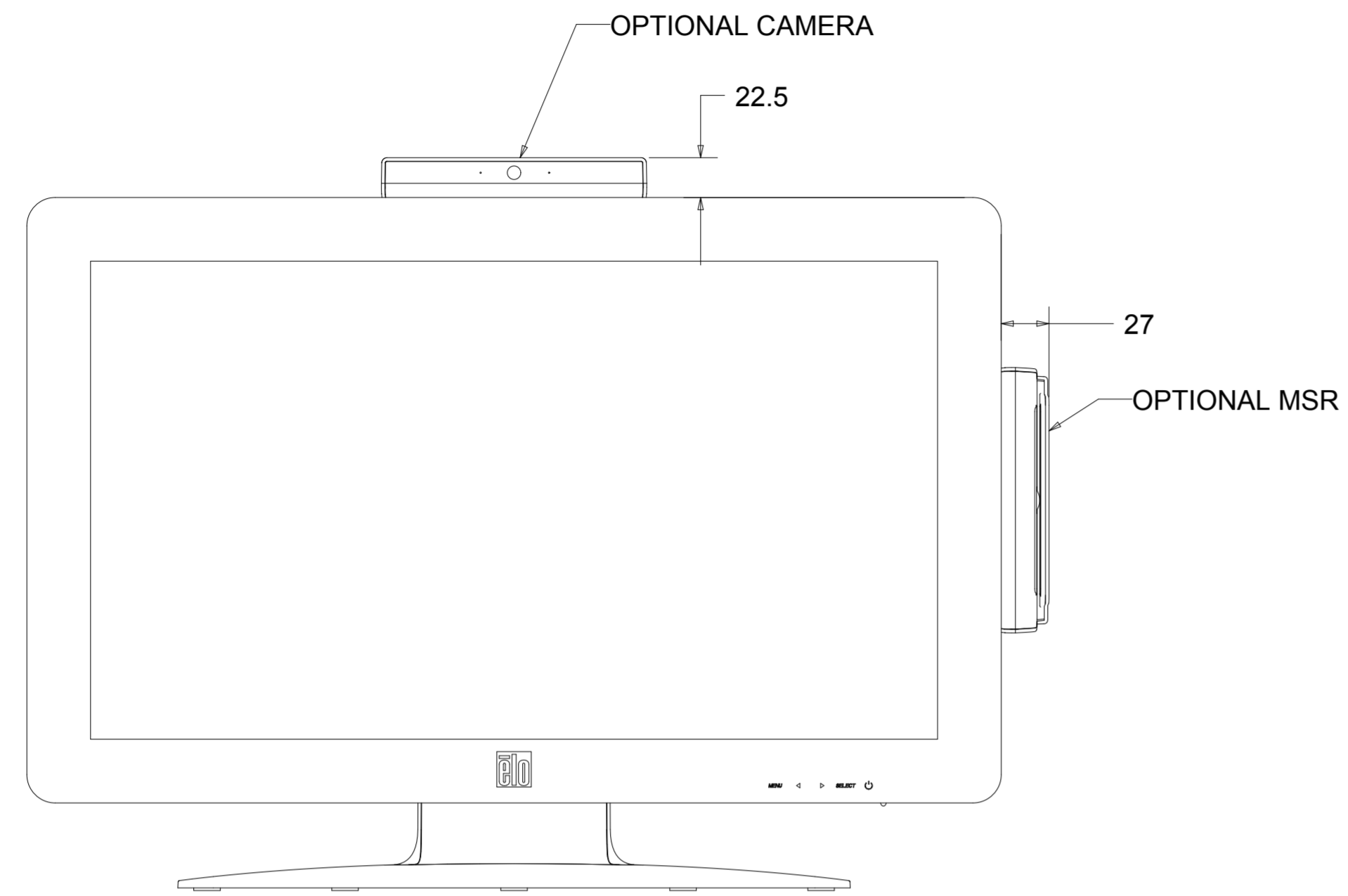
HEADPHONE OUT
3.5mm TRS JACK

AUDIO INPUT
3.5mm TRS JACK,
MAX. 1 Vrms

KENSINGTON LOCK RECEPTACLE,
(LOCK SUPPLIED BY OTHERS)

M4 THREAD,
MAX. SCREW LENGTH
7mm FROM MOUNTING
SURFACE, X4





STAND MOUNTING OPTION

