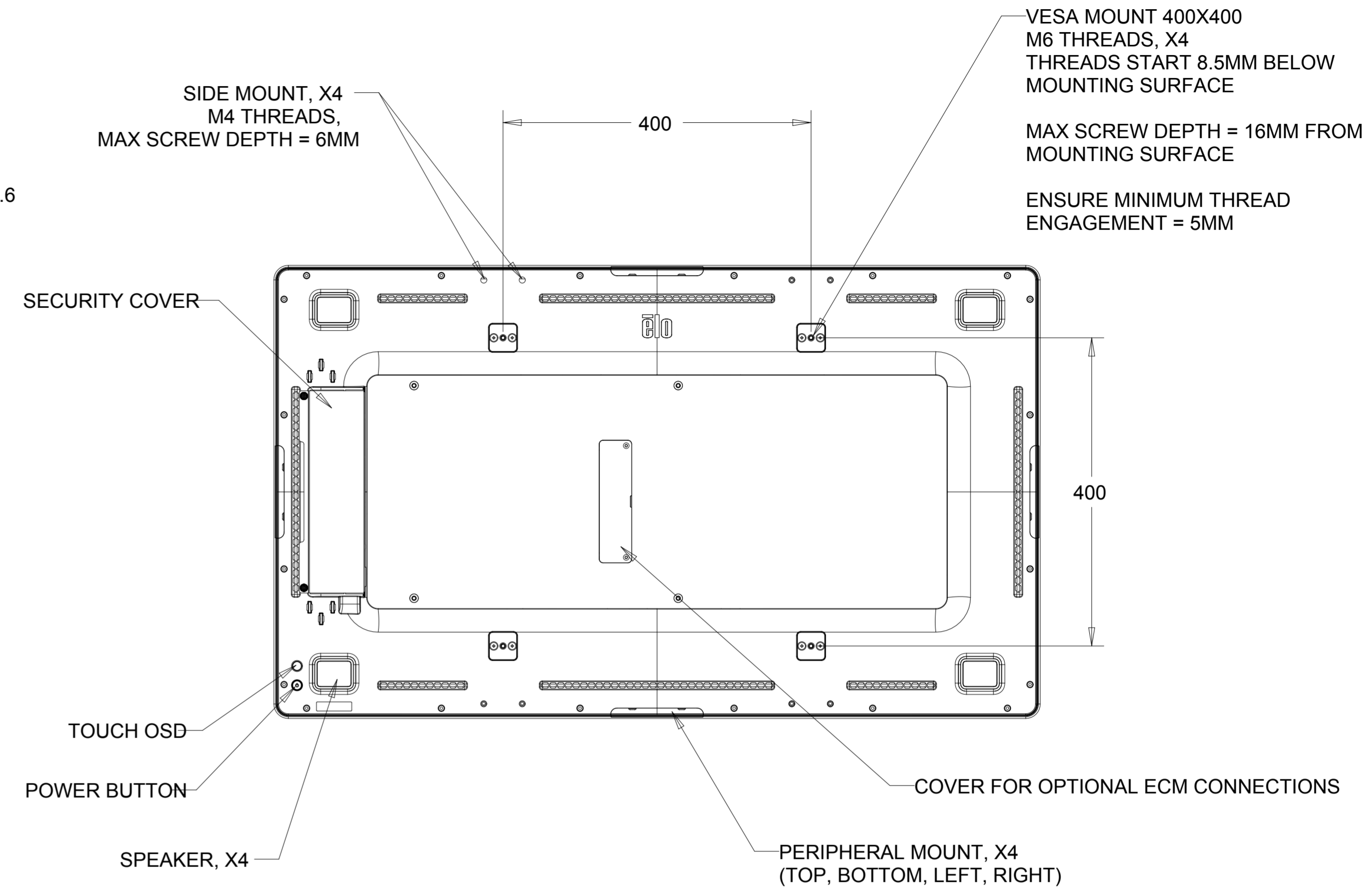
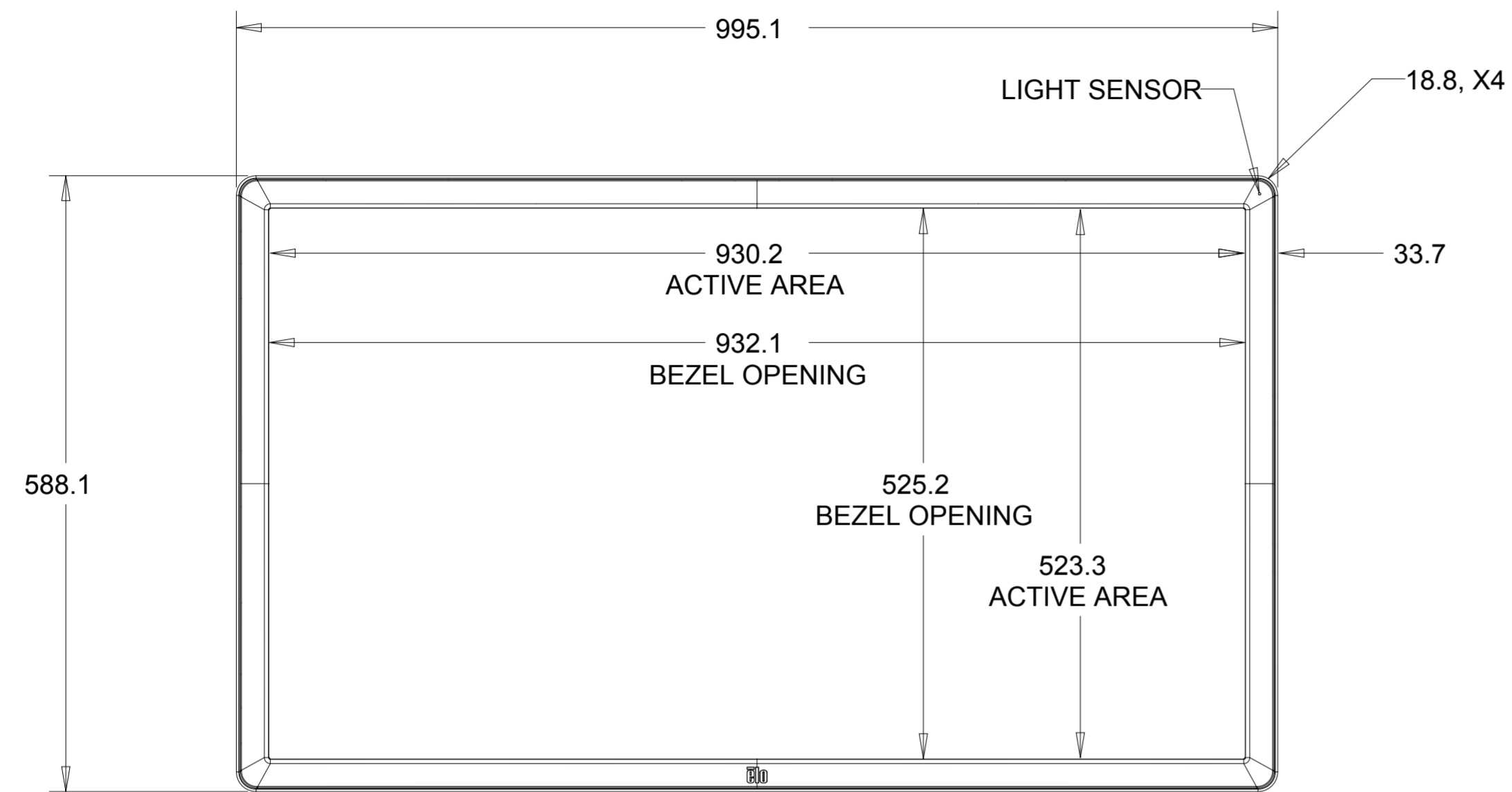
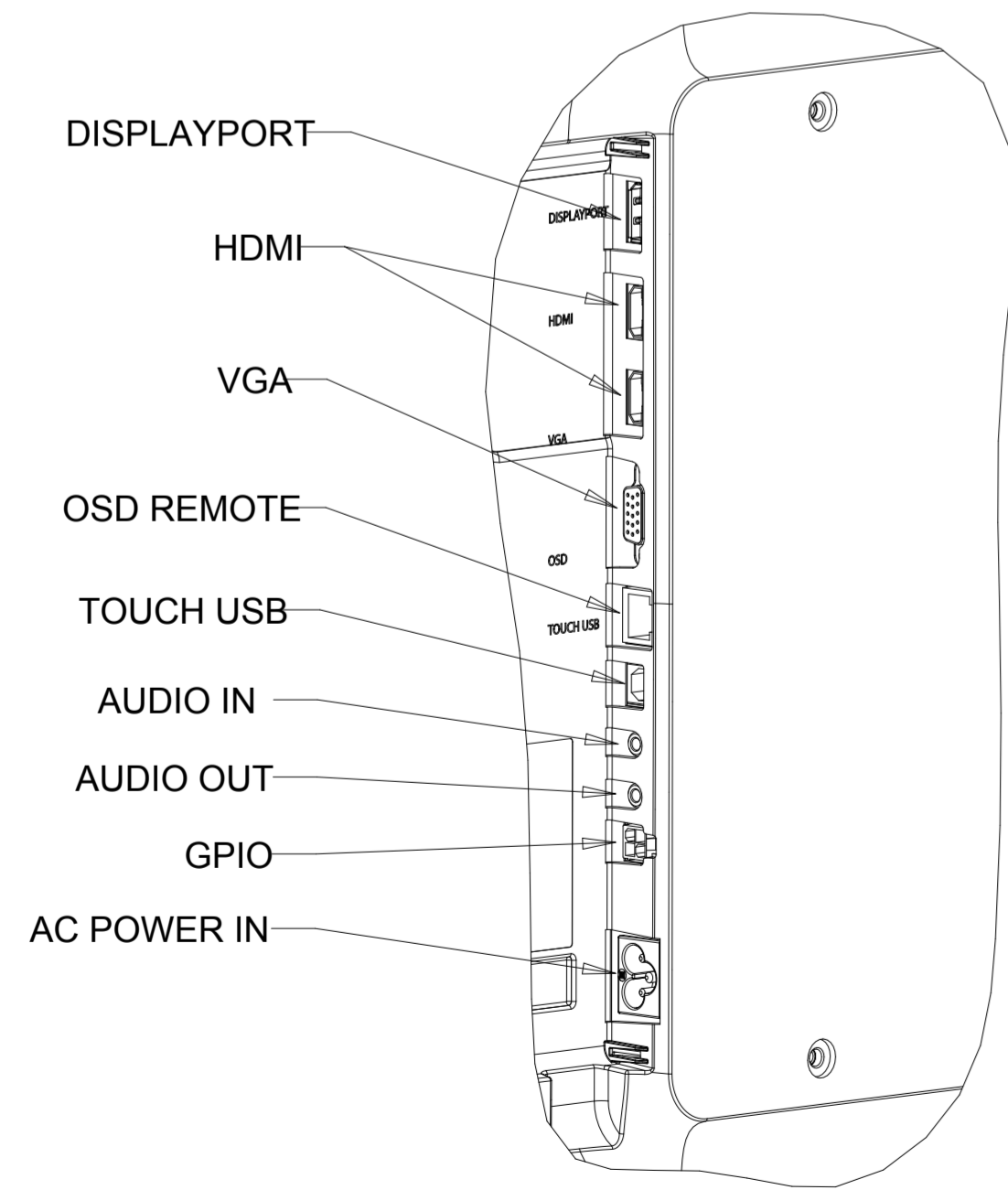


IR MODEL

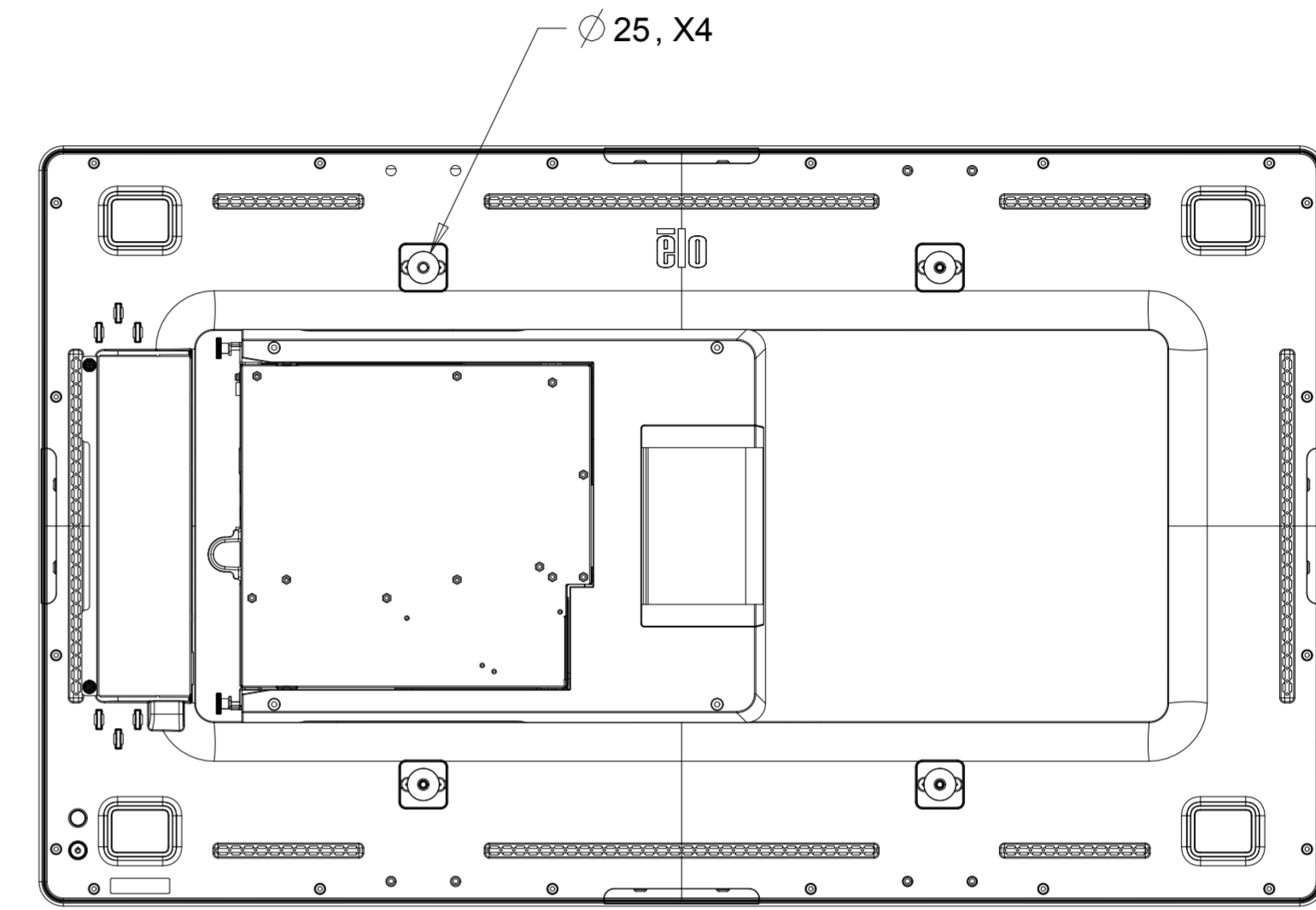
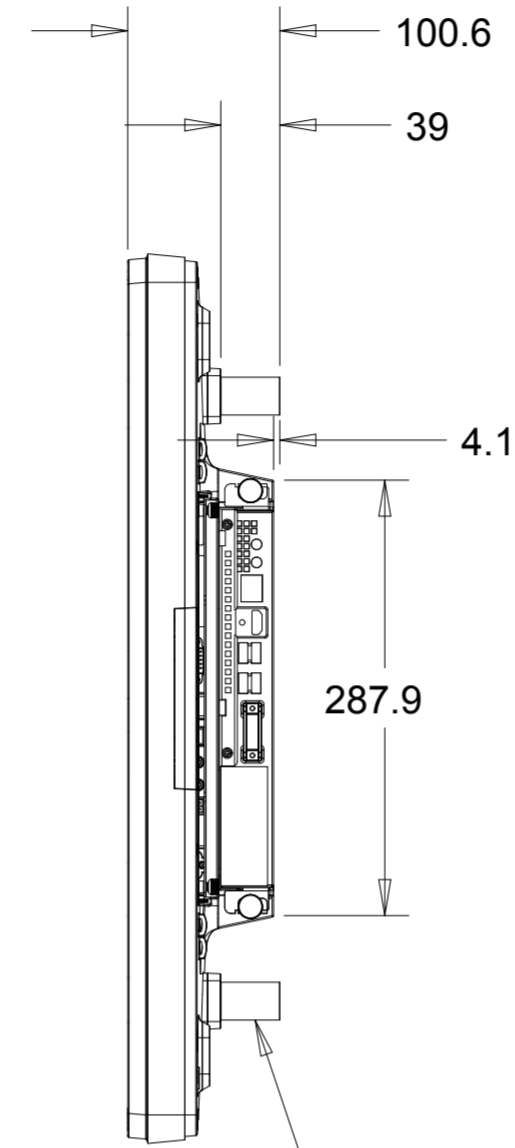
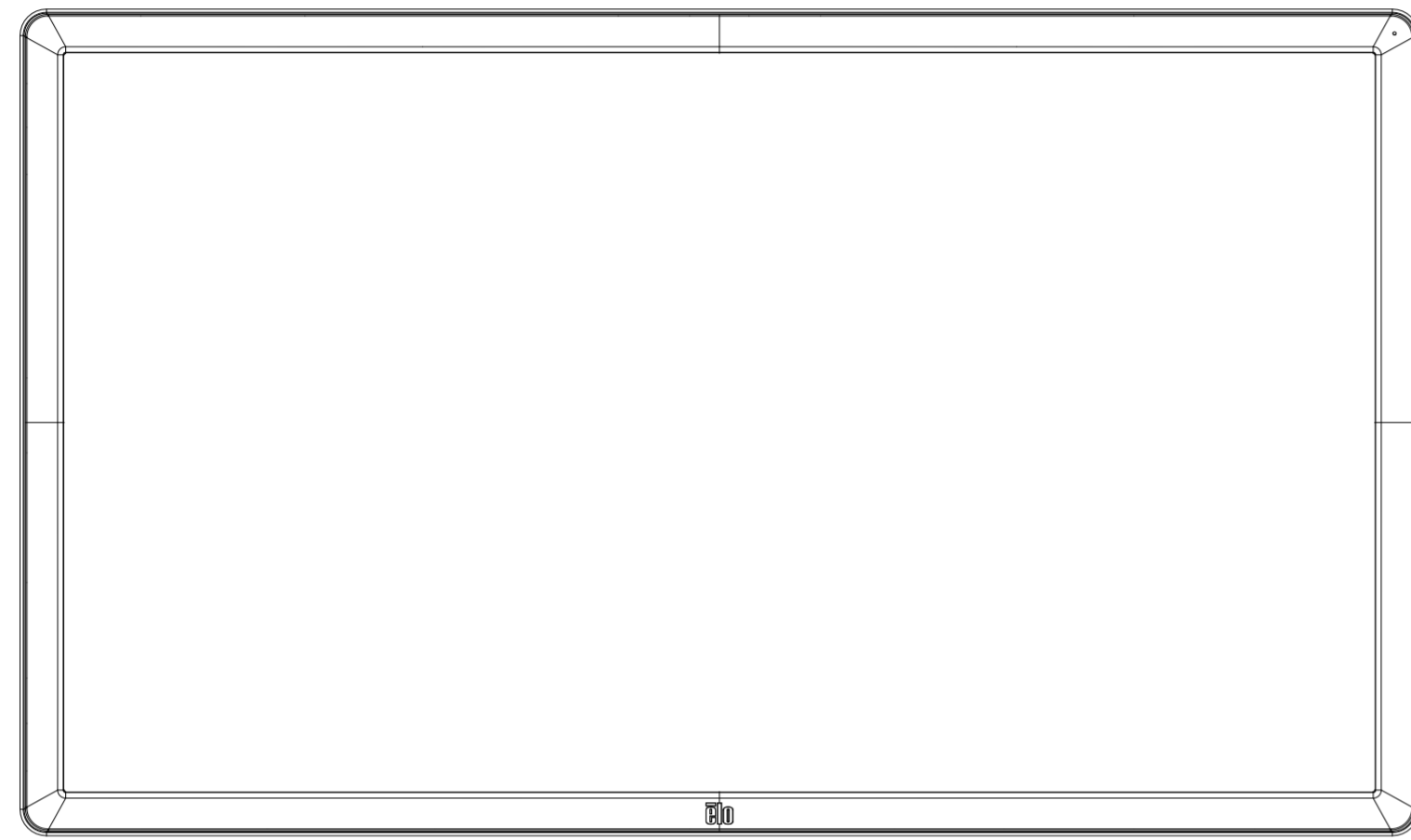


I/O CONNECTIONS
(UNDER SECURITY COVER)



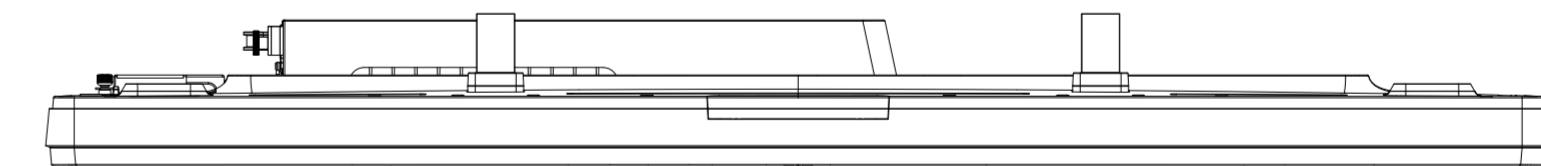
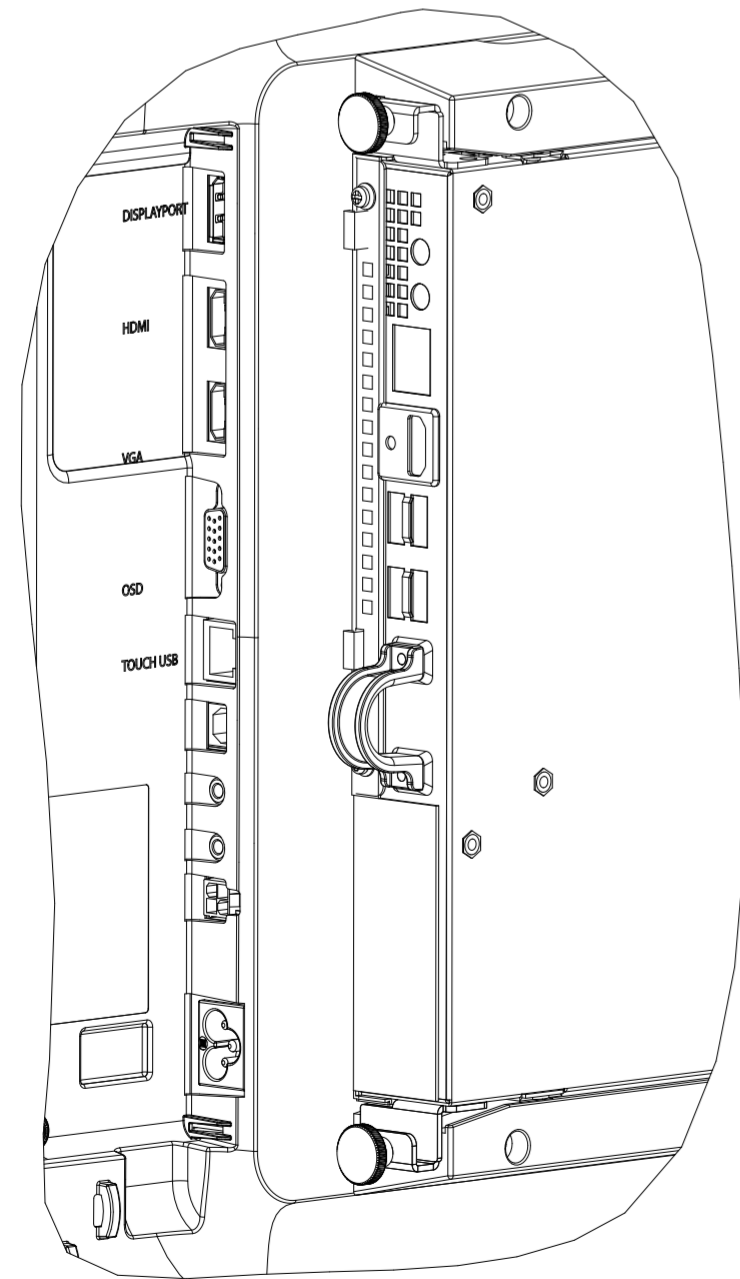
DIMENSIONS ARE IN MILLIMETERS

IR MODEL WITH OPTIONAL ECM KIT

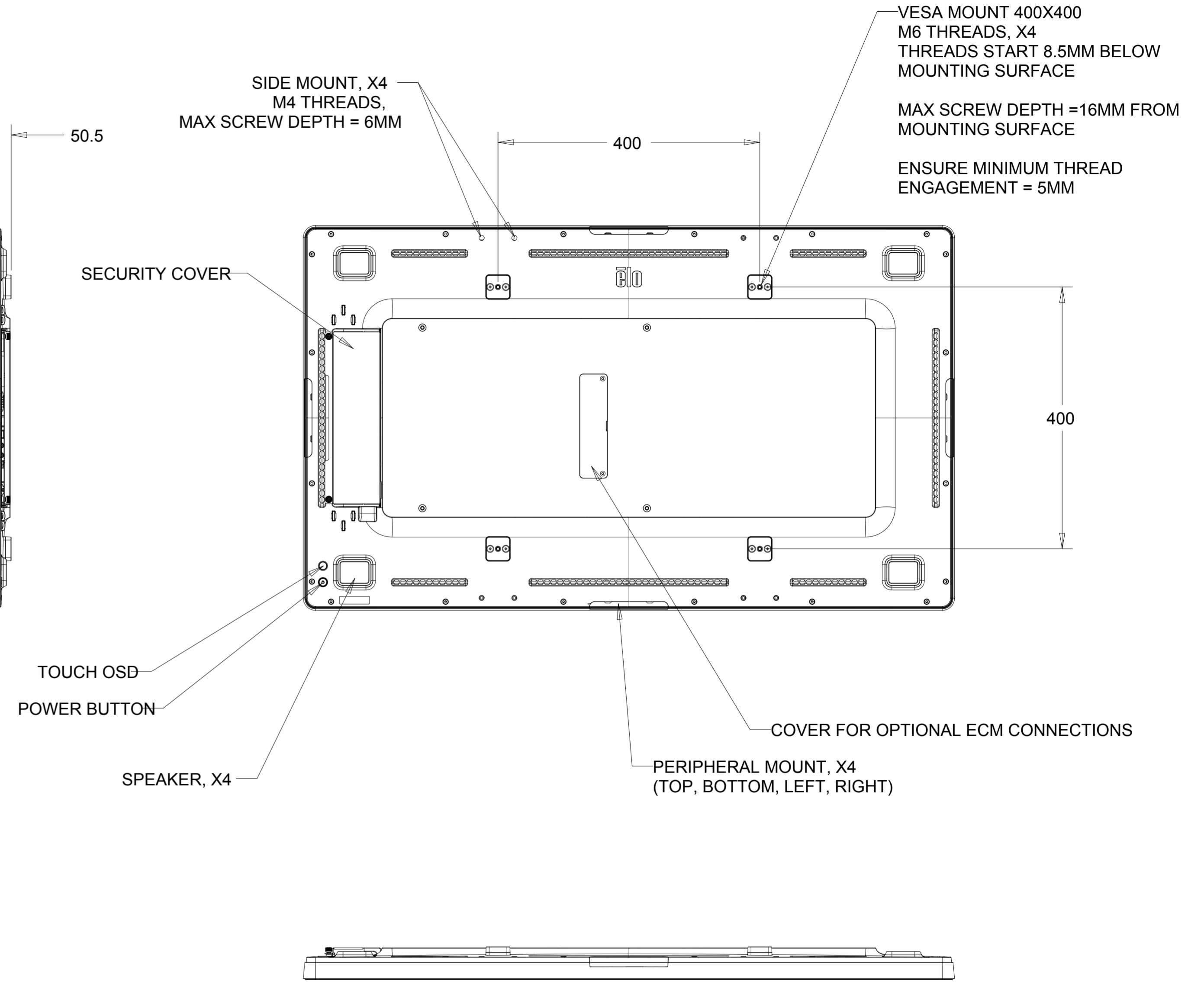
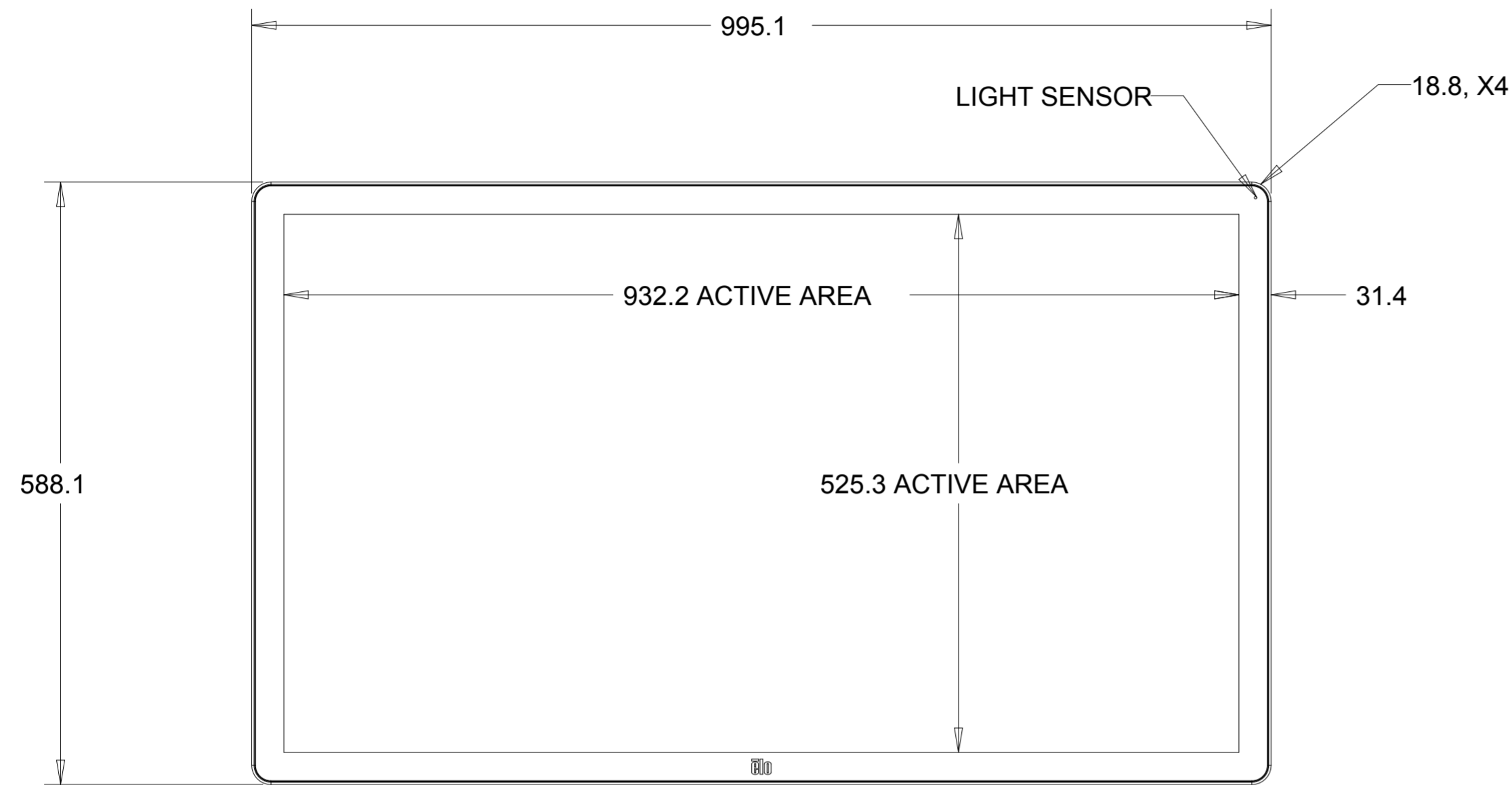


OPTIONAL EXTENSION SPACERS AND SCREWS (X4)
INCLUDED WITH ECM KIT

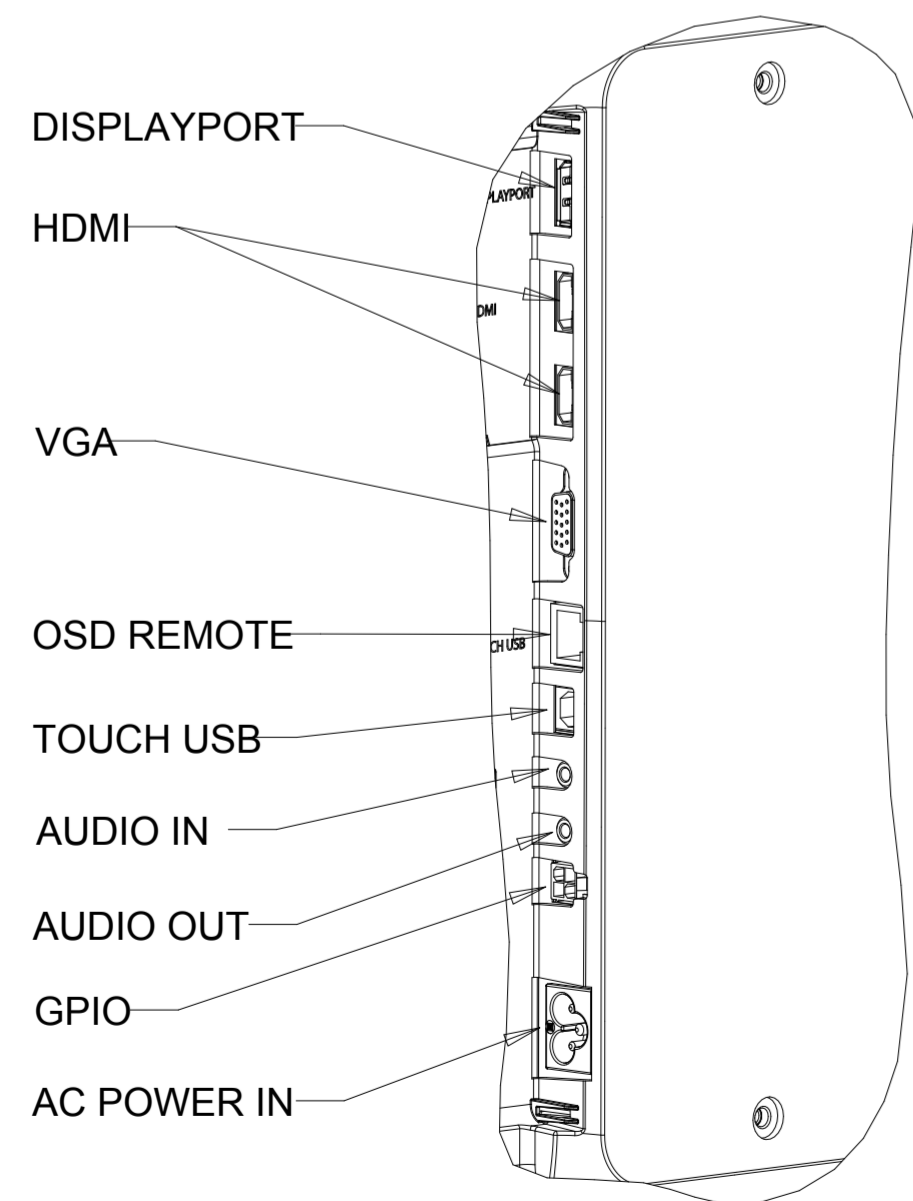
ECM CONNECTIONS ON SAME SIDE
AS IDS I/O CONNECTIONS



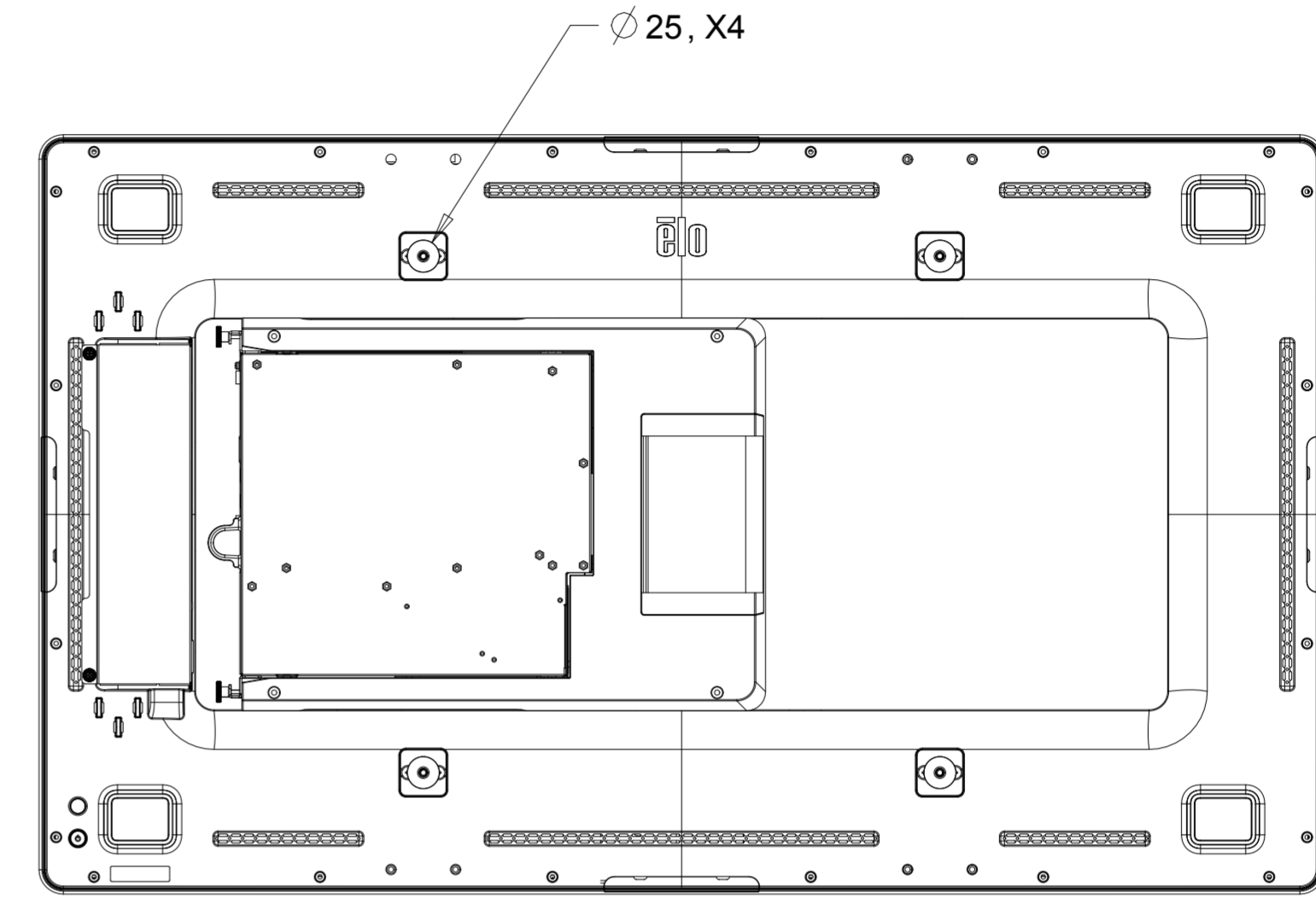
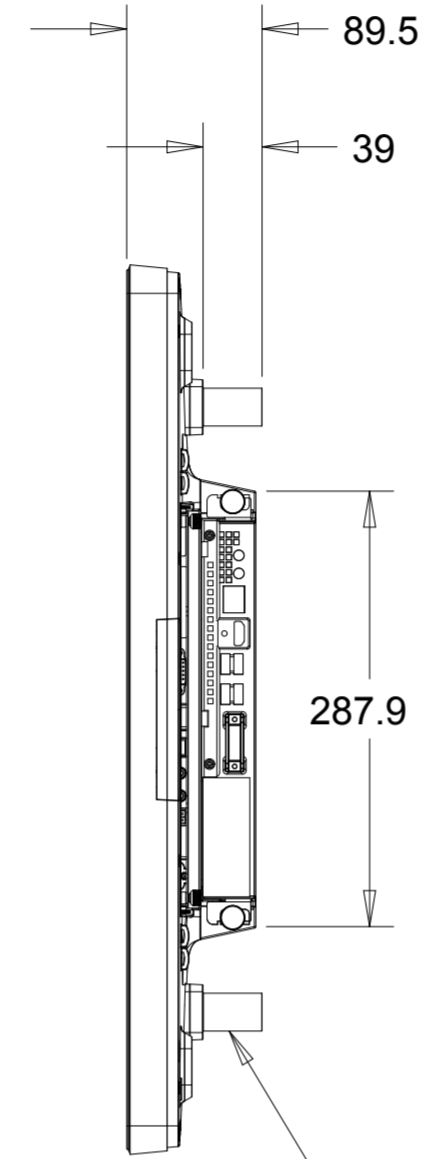
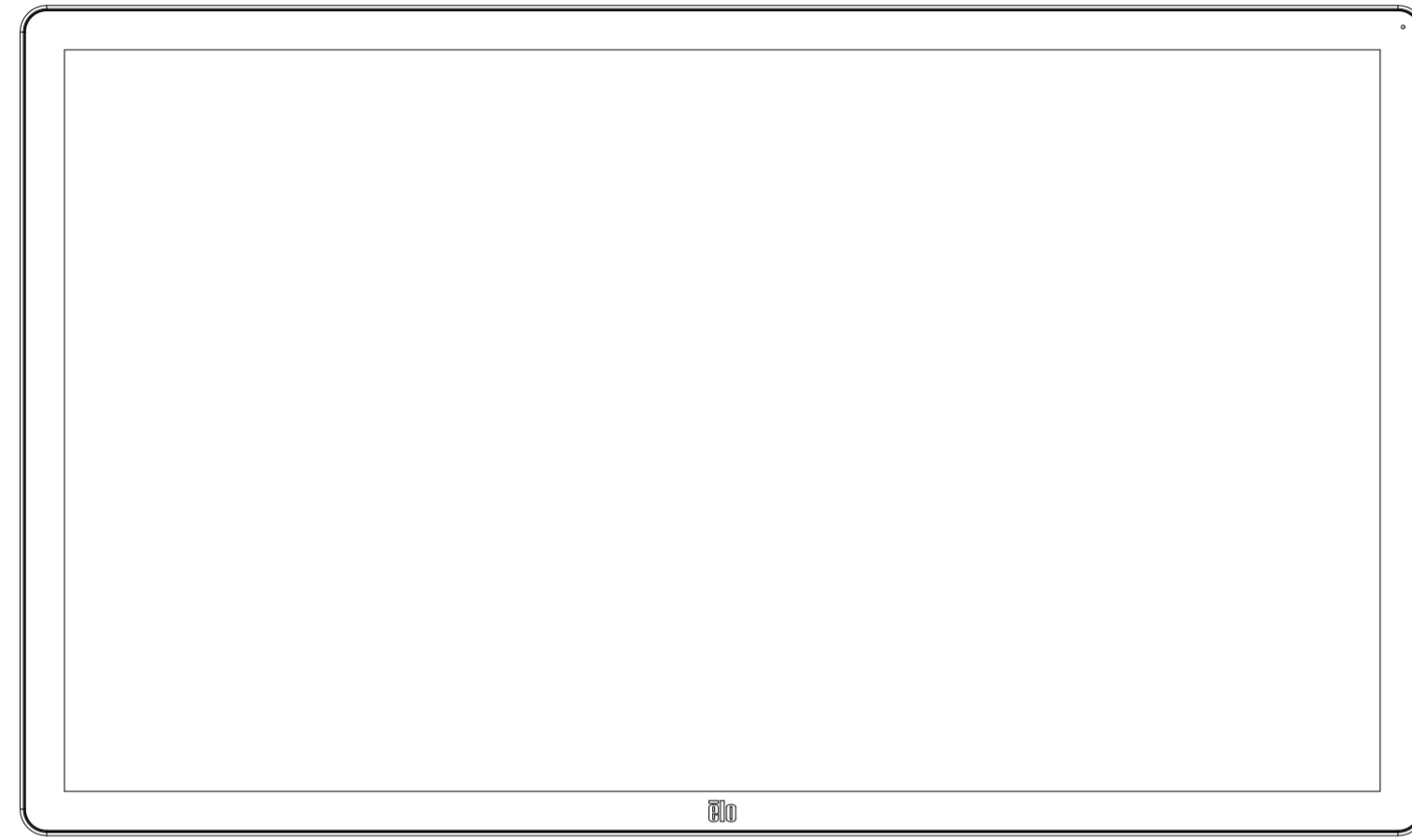
PROJECTED CAPACITIVE MODEL



I/O CONNECTIONS
(UNDER SECURITY COVER)

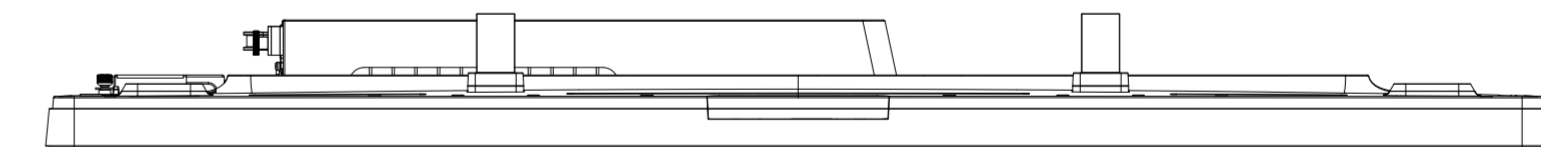
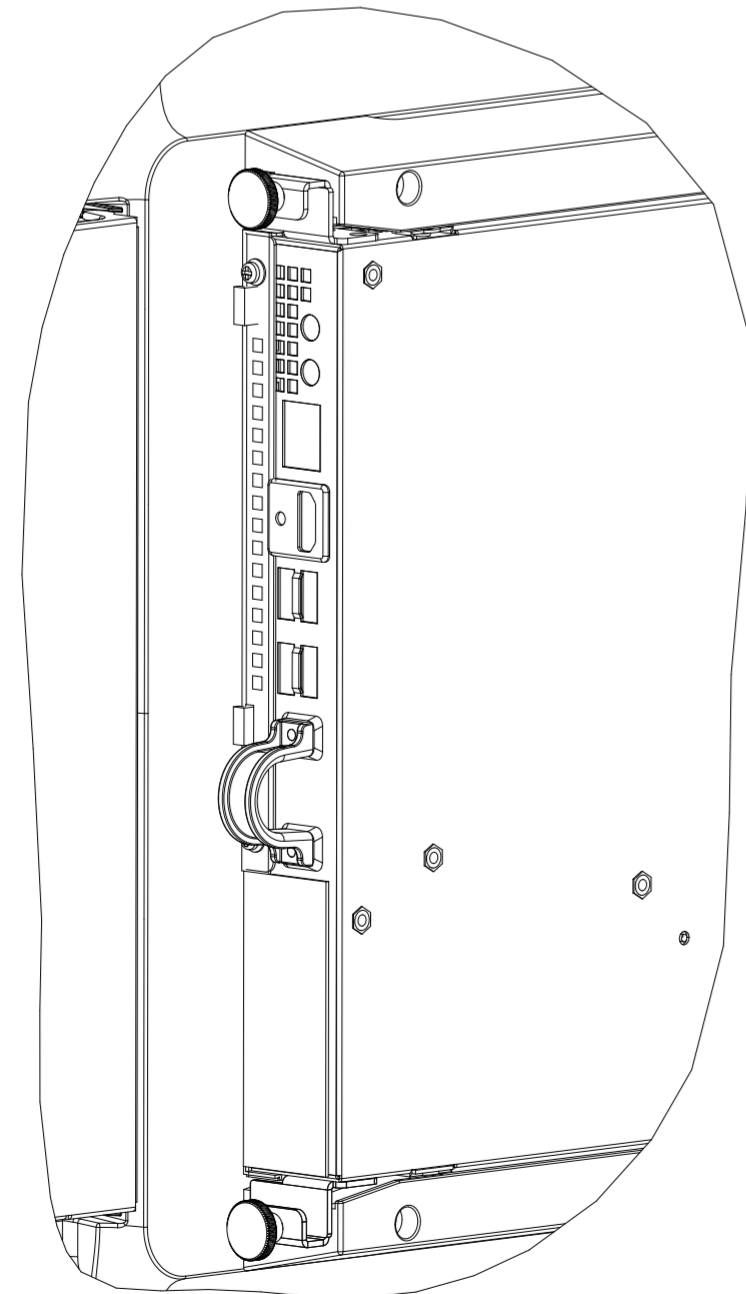


PROJECTED CAPACITIVE MODEL WITH OPTIONAL ECM KIT



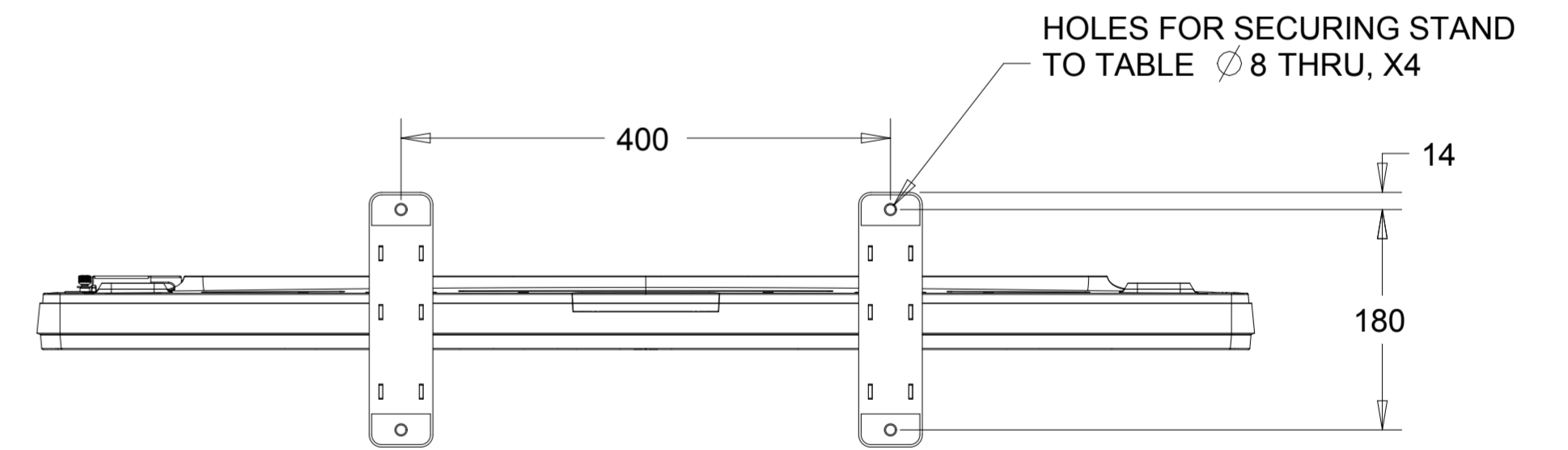
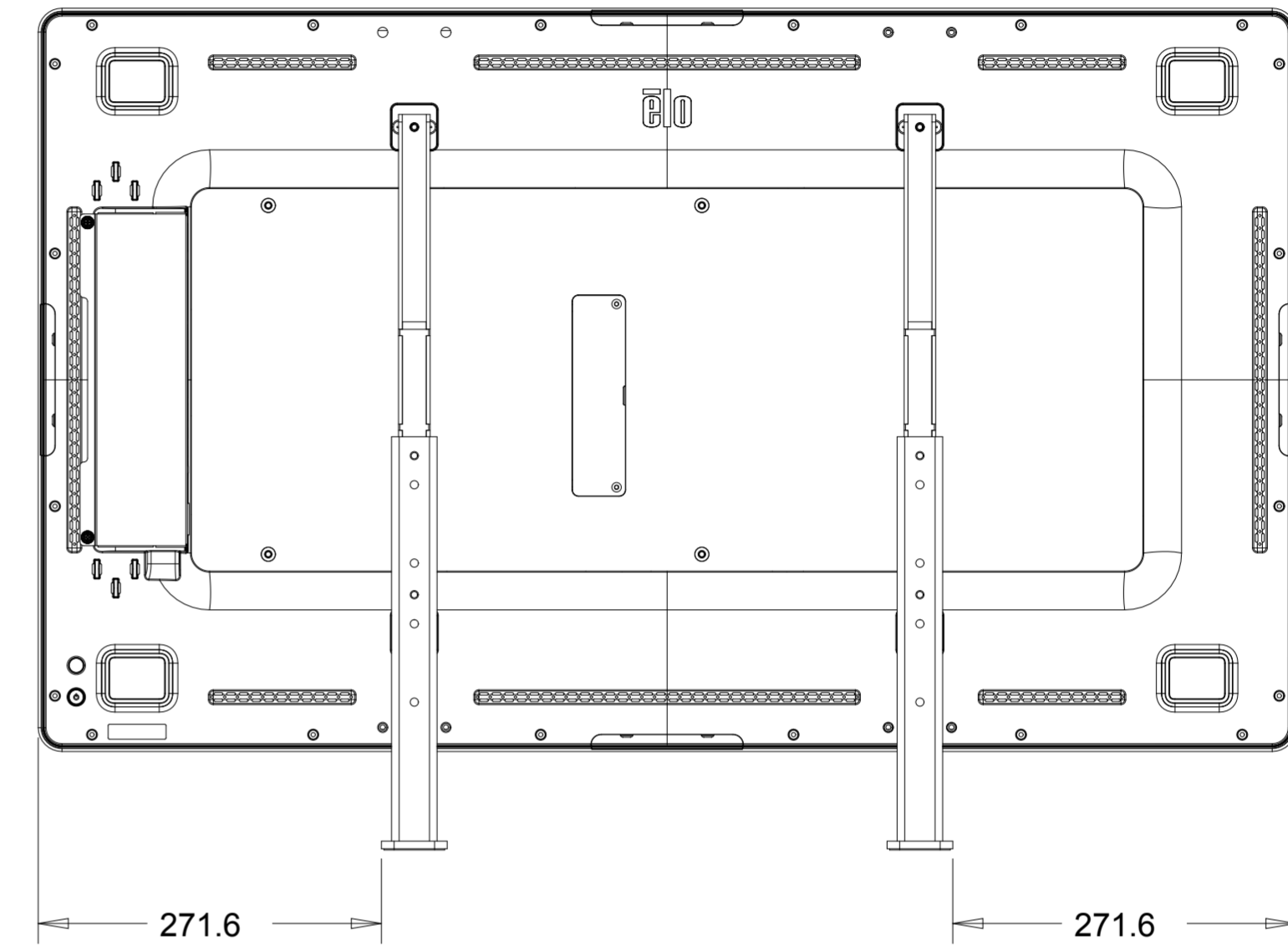
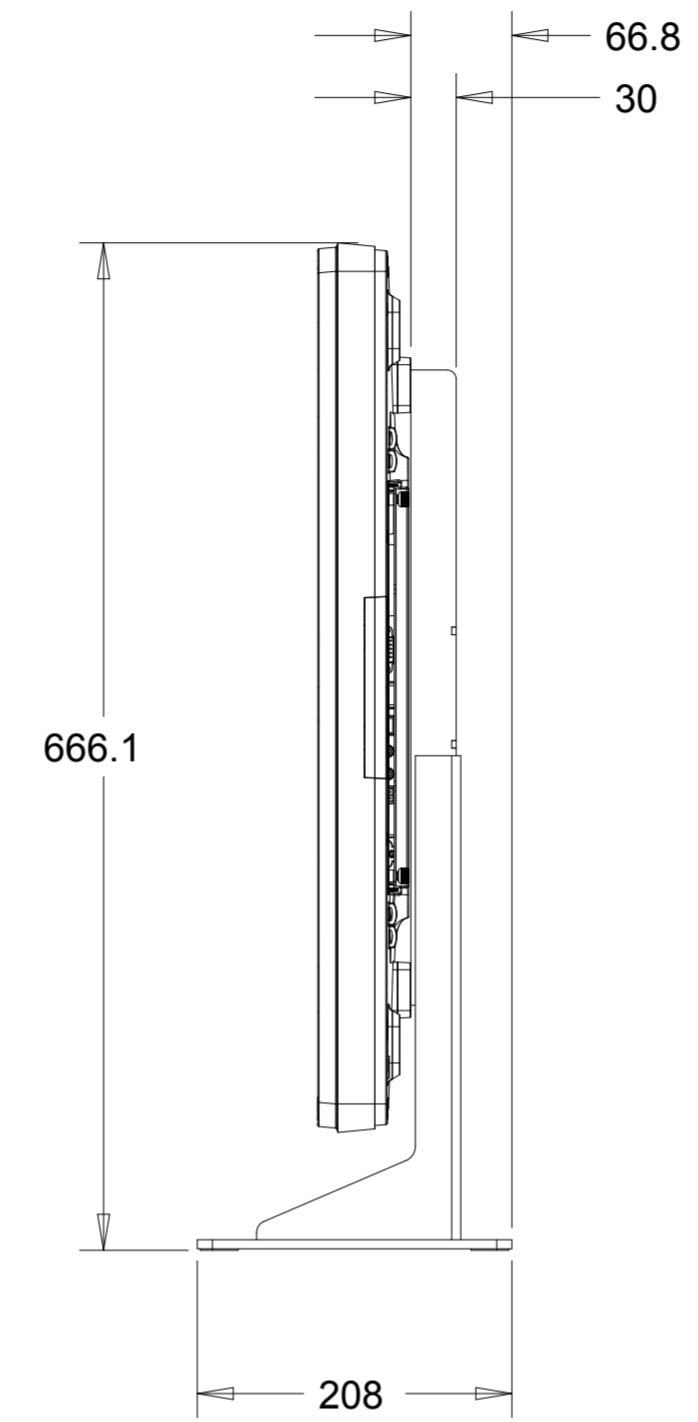
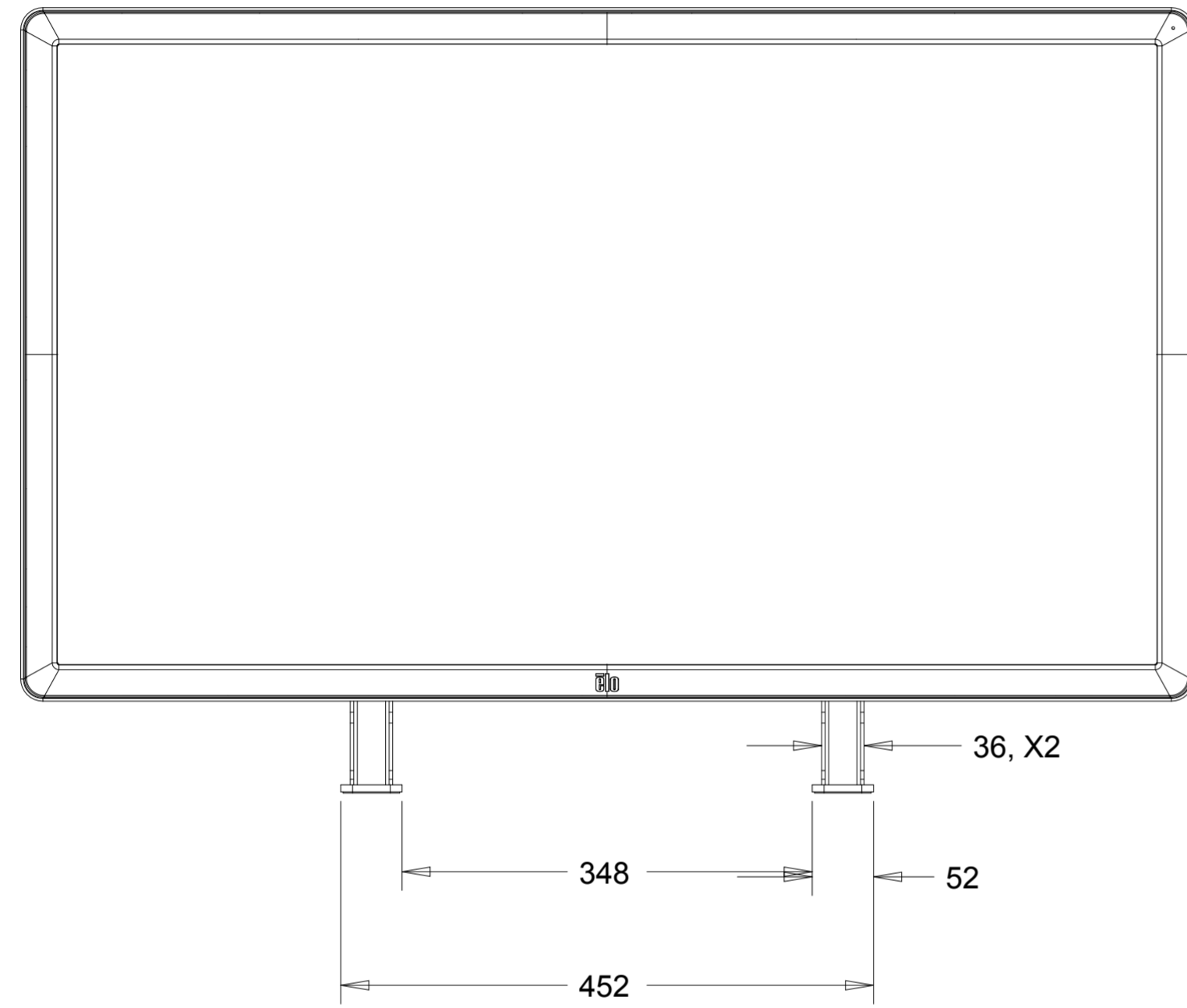
OPTIONAL EXTENSION SPACERS AND SCREWS (X4)
INCLUDED WITH ECM KIT

ECM CONNECTIONS ON SAME SIDE
AS IDS I/O CONNECTIONS

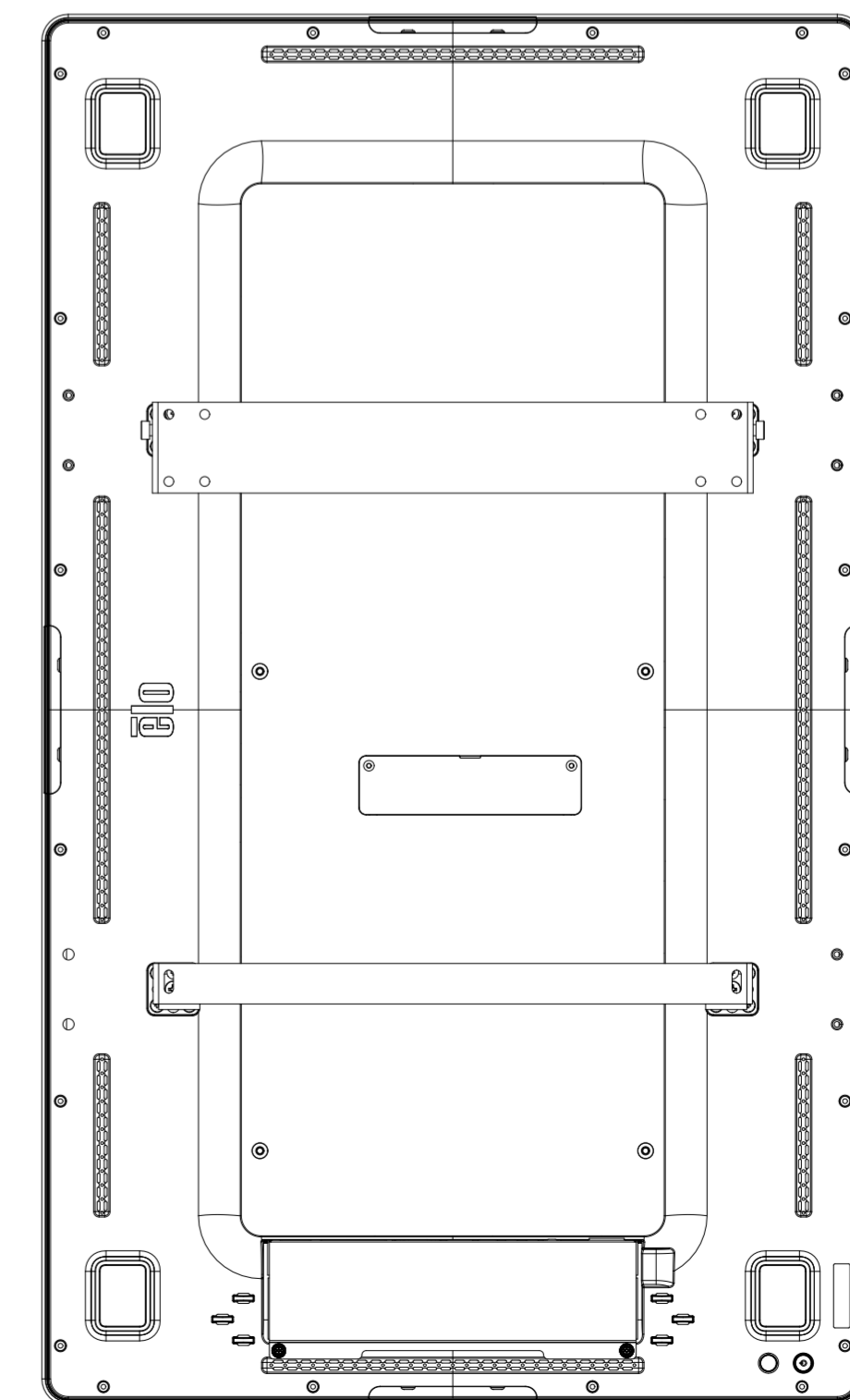
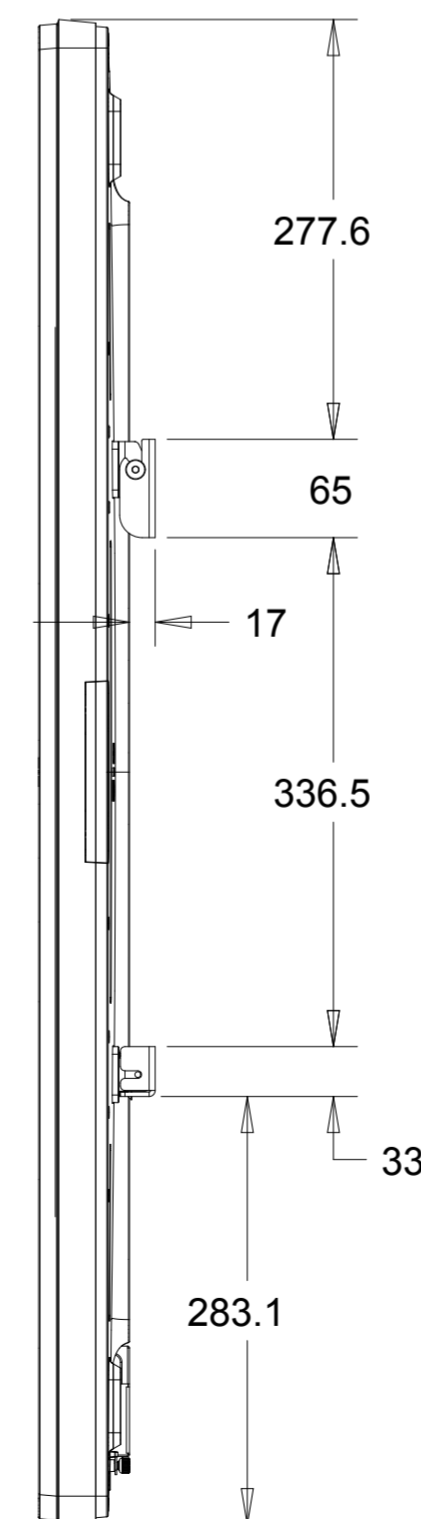
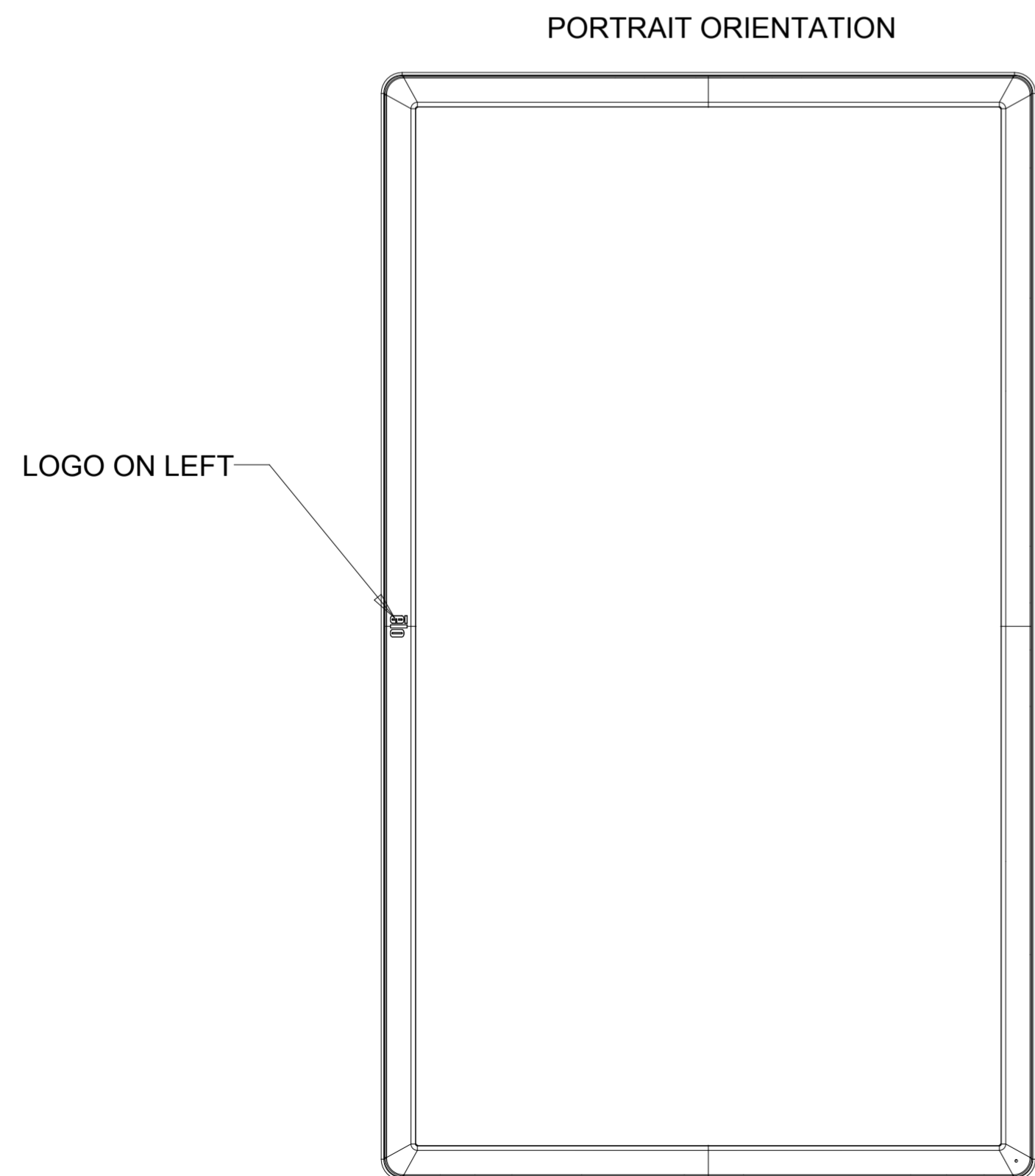
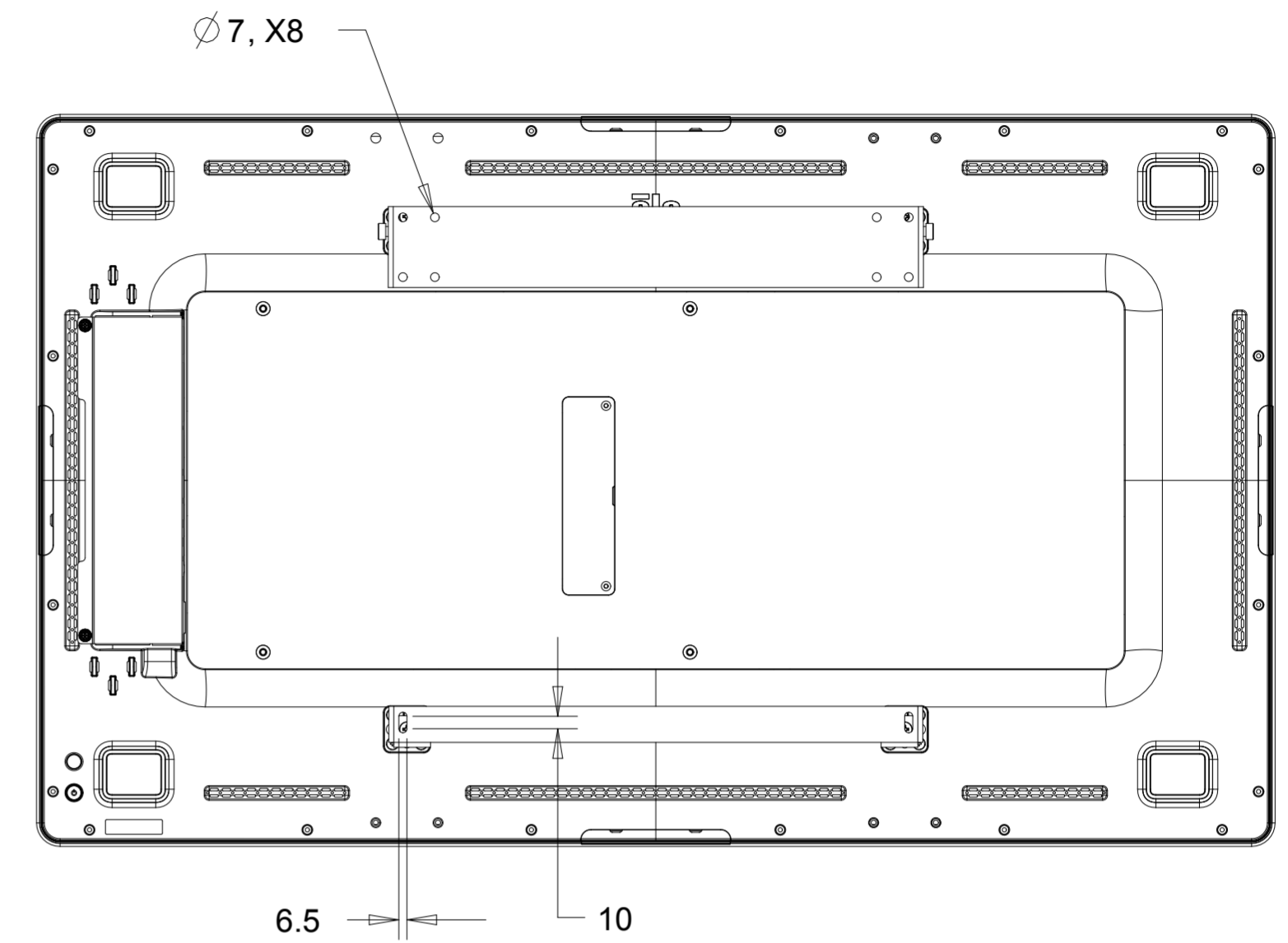
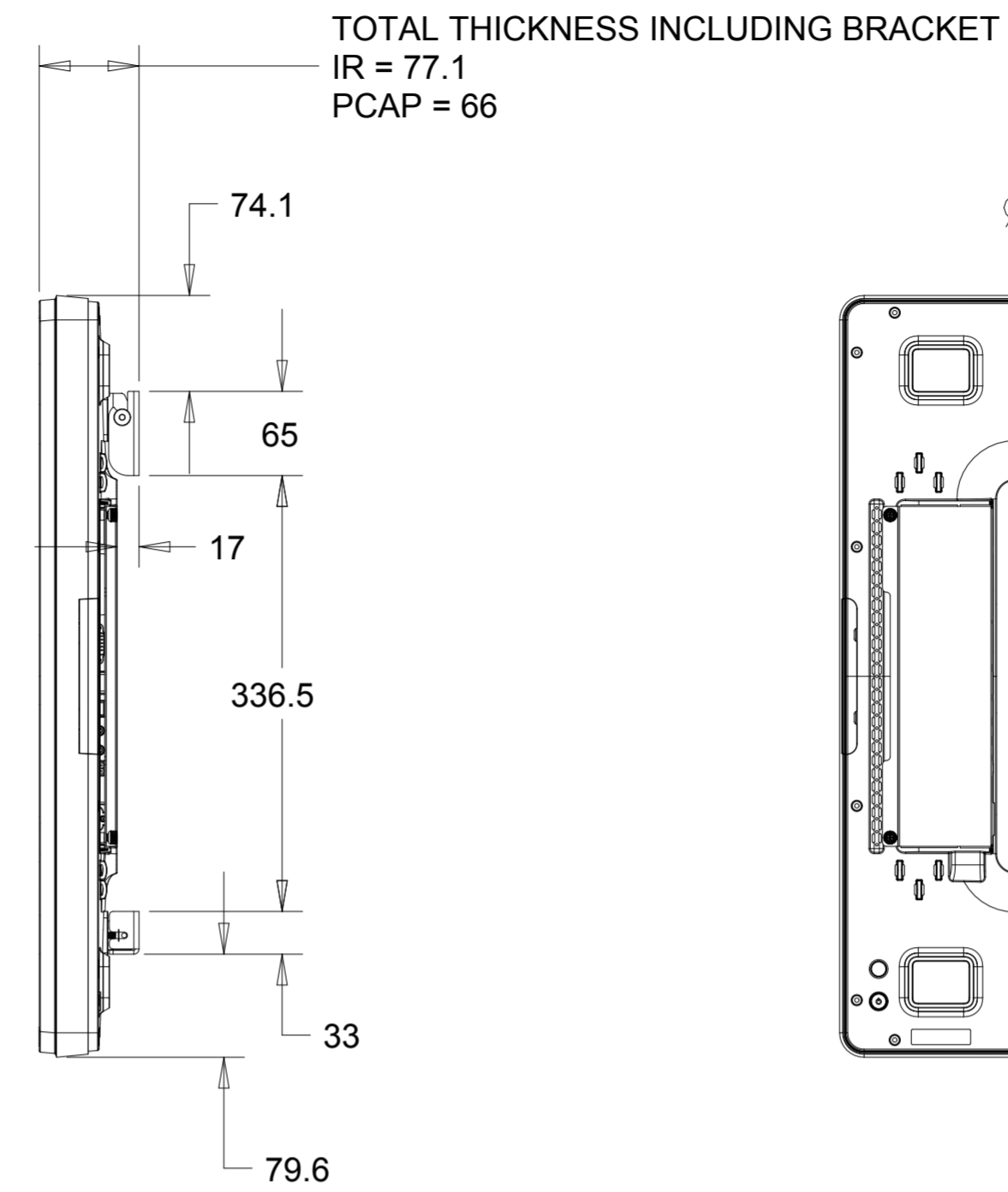
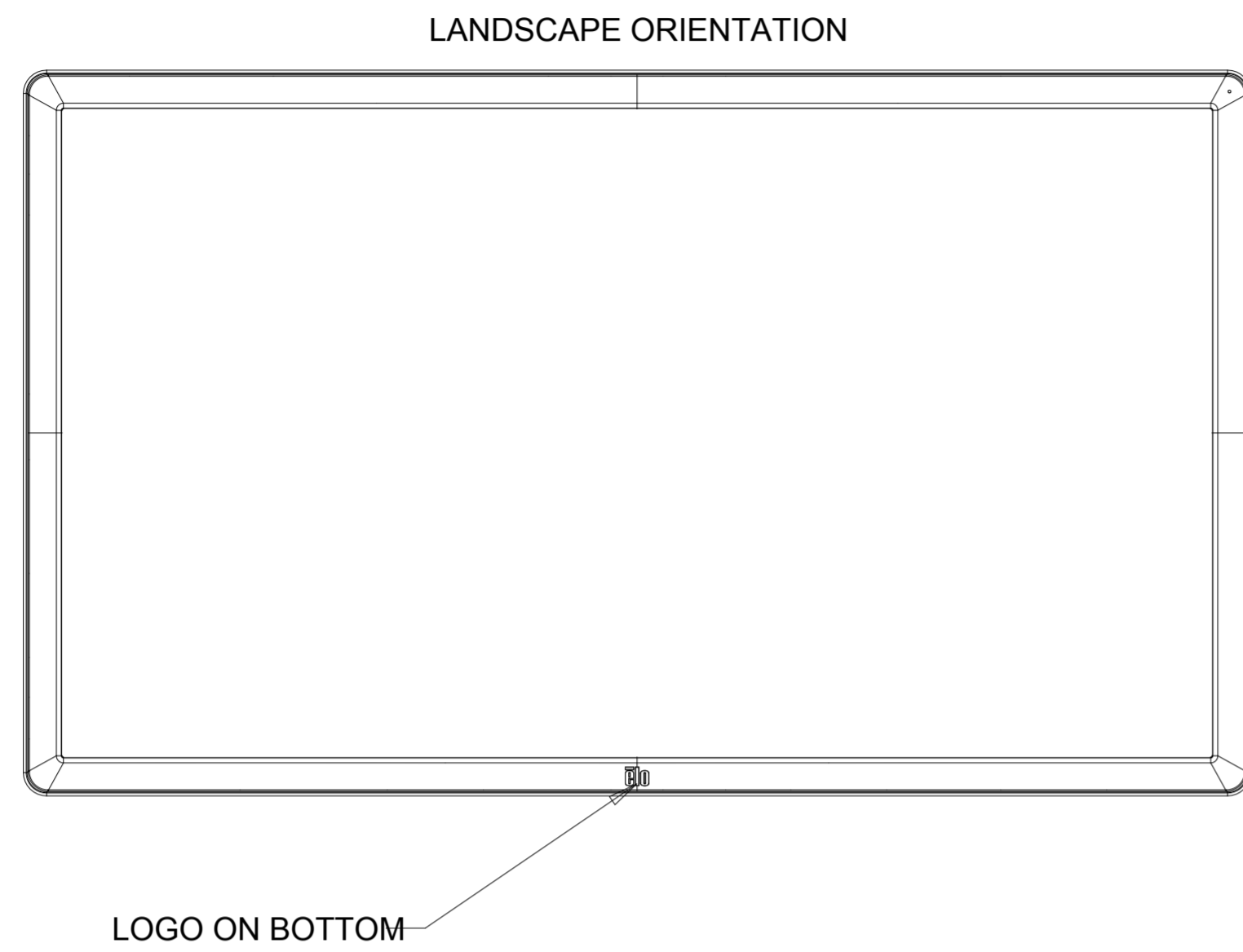


OPTIONAL STAND KIT P/N E275623

LANDSCAPE ORIENTATION
(STAND DOES NOT SUPPORT PORTRAIT ORIENTATION)

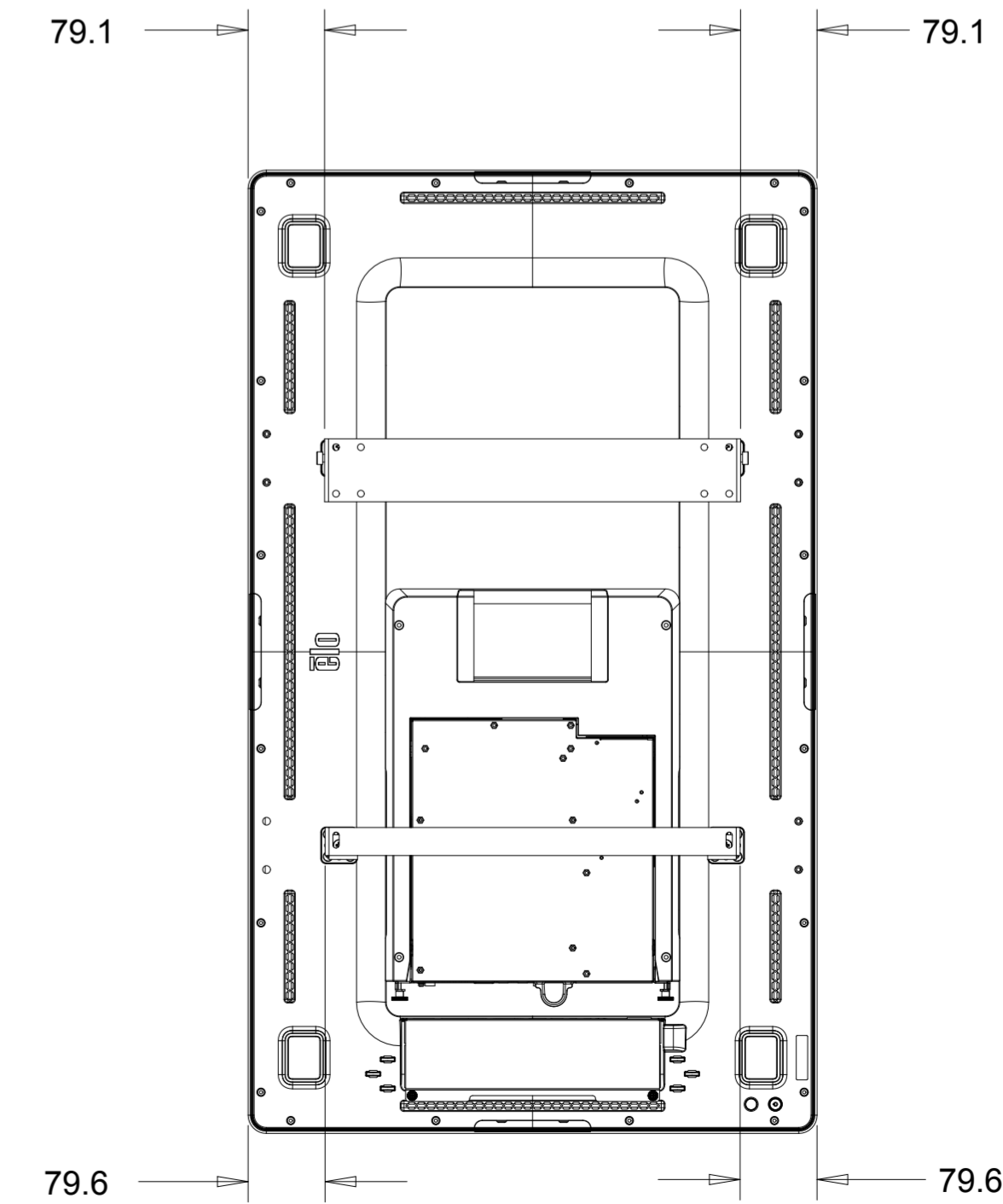
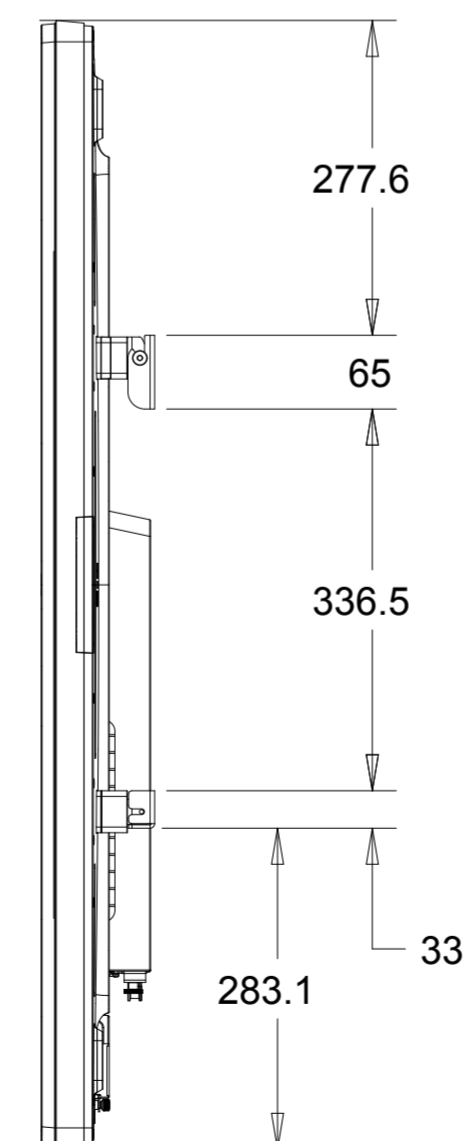
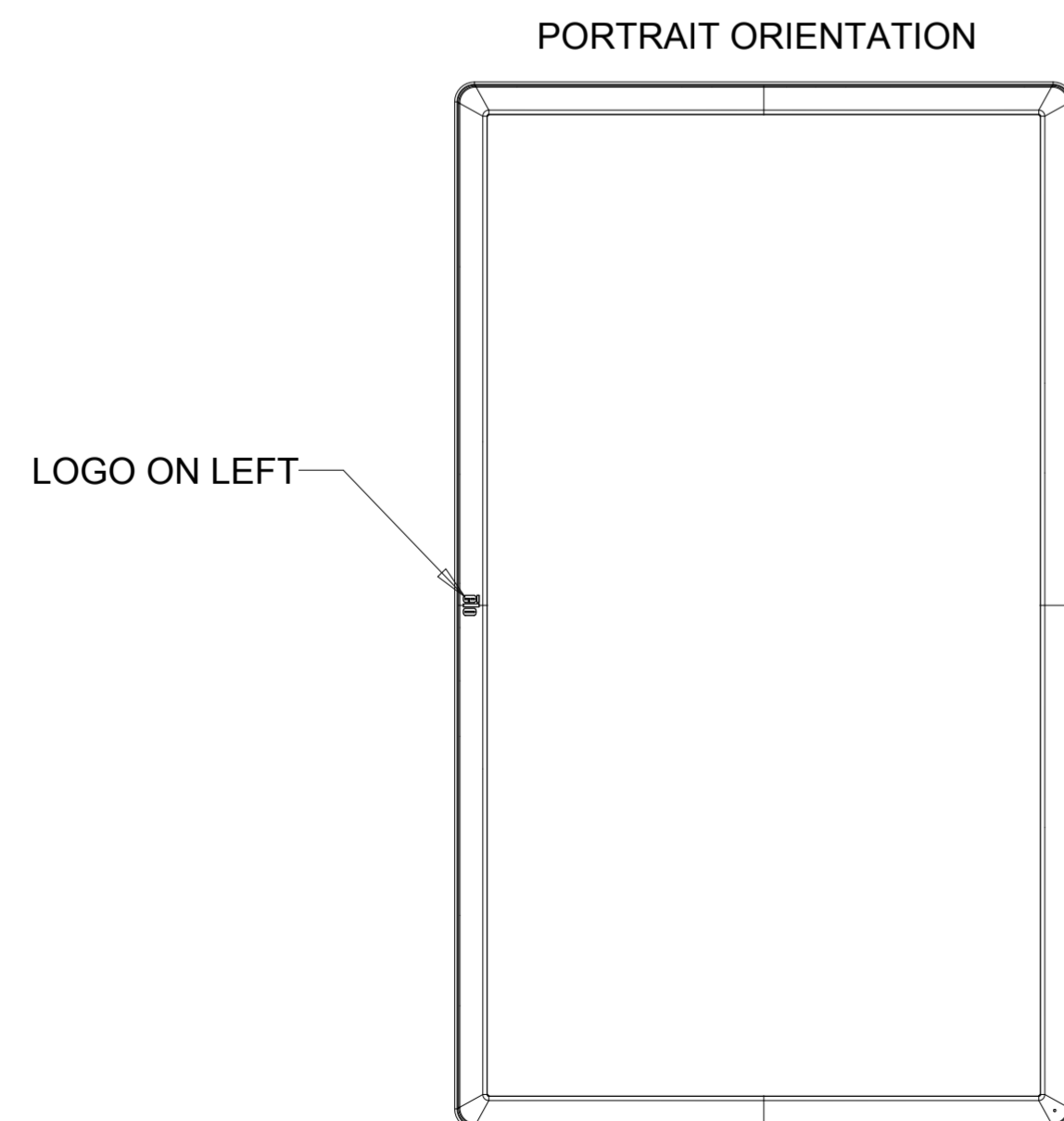
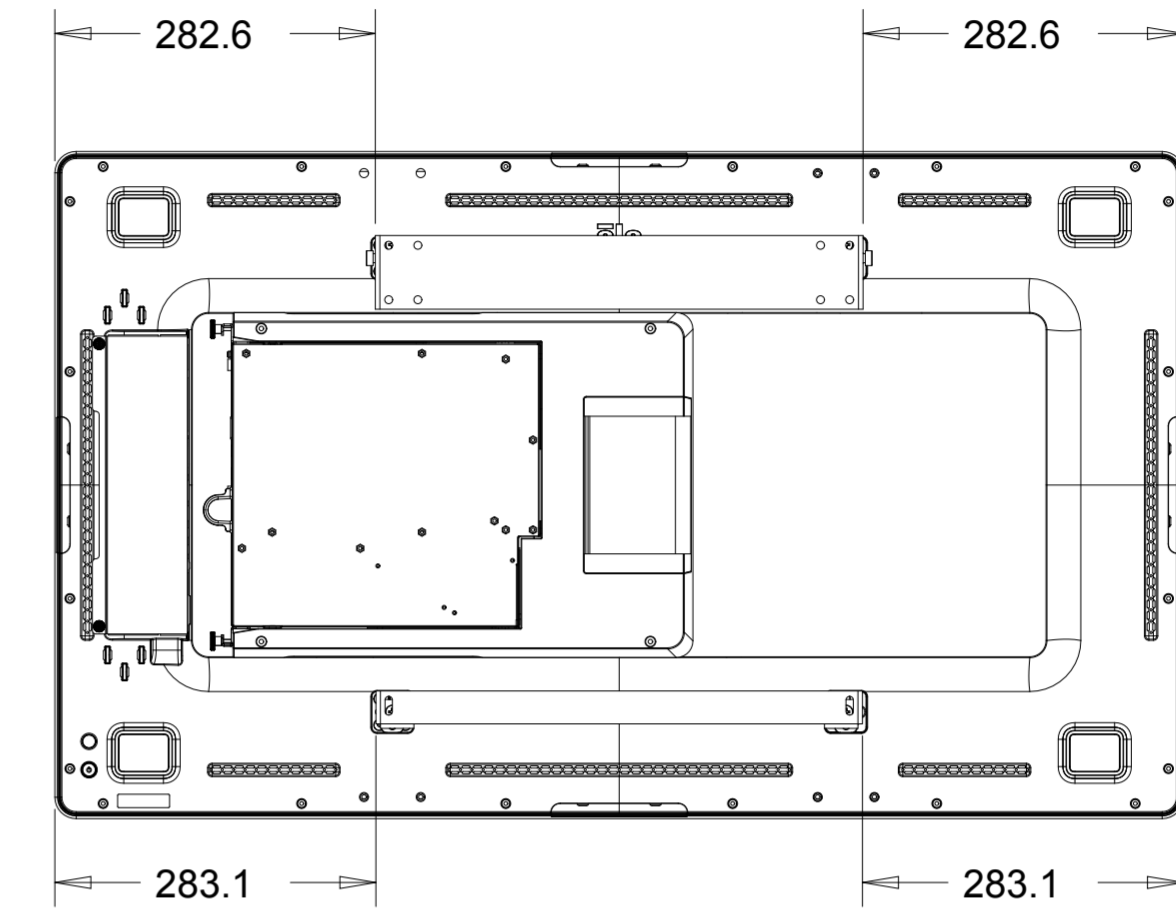
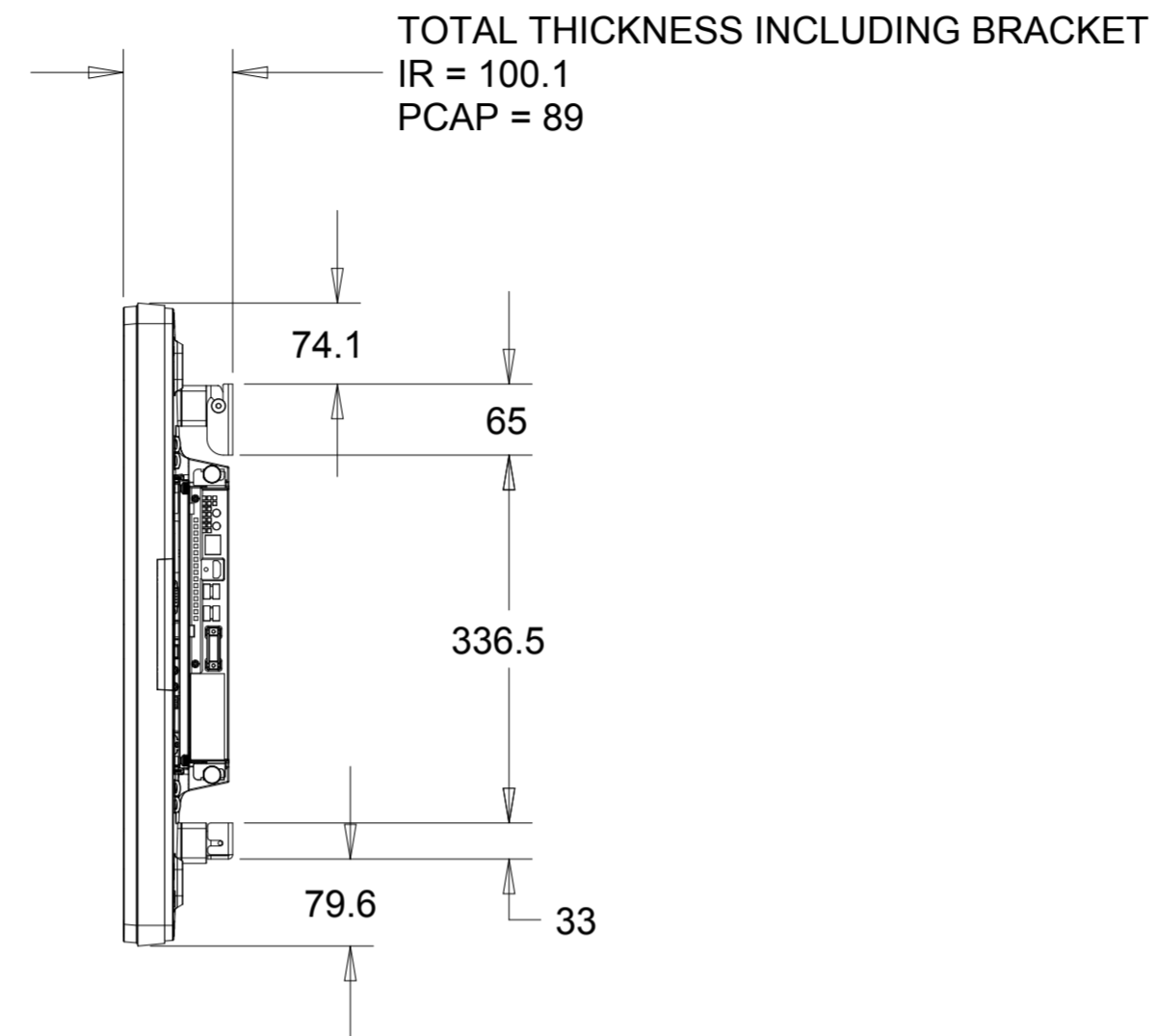
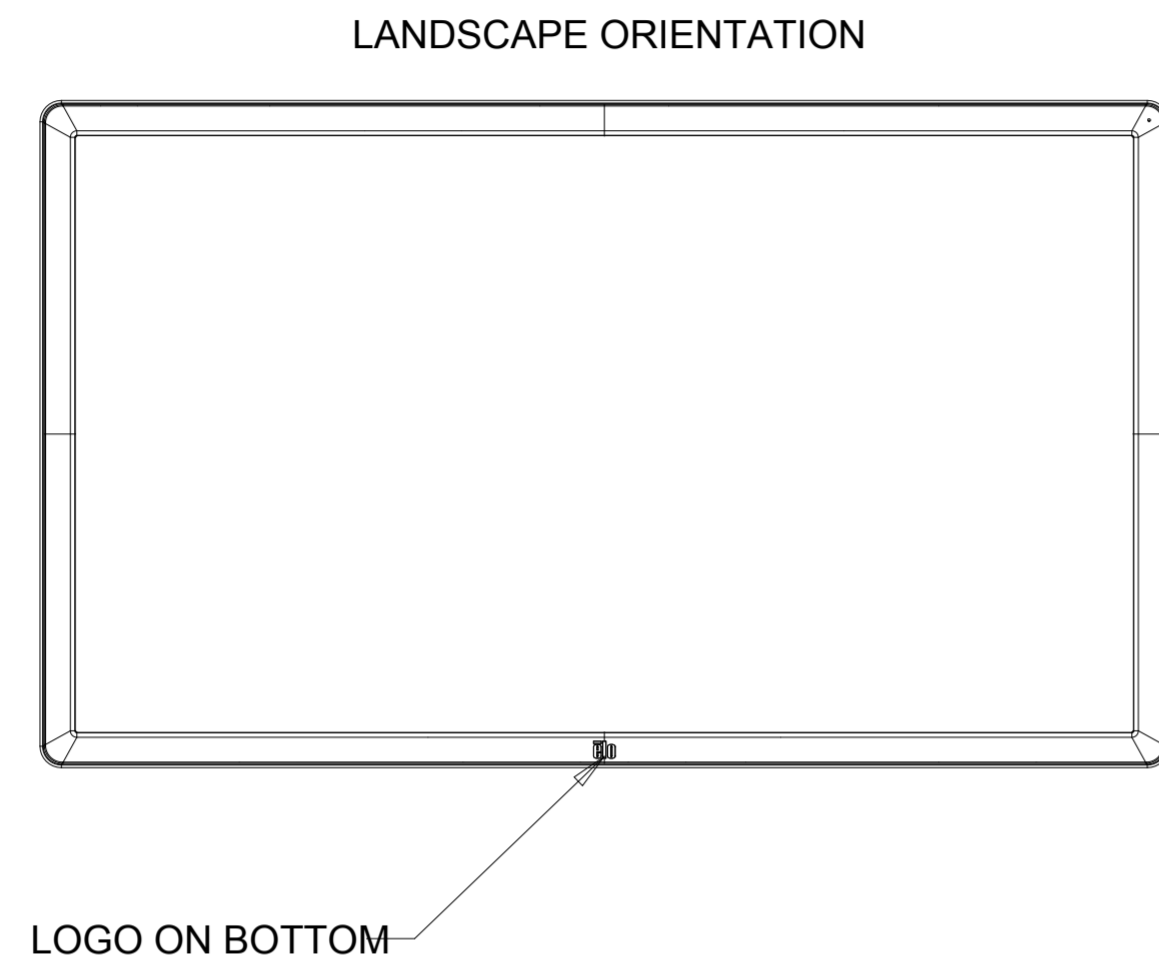


OPTIONAL LOW PROFILE WALLMOUNT KIT P/N E275050
SEE NEXT PAGE FOR DIMENSIONS WITH ECM KIT



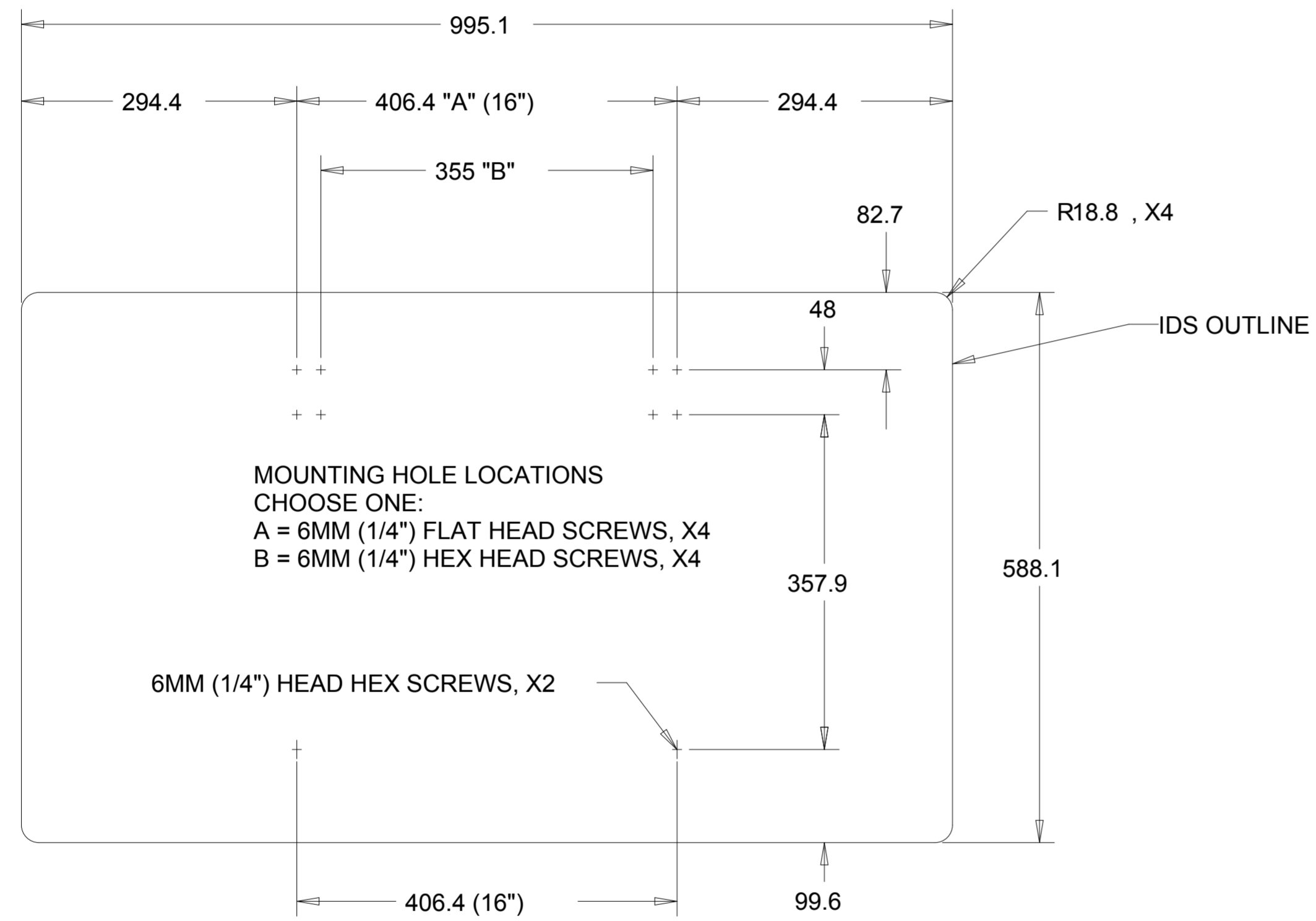
OPTIONAL LOW PROFILE WALLMOUNT KIT P/N E275050
WITH OPTIONAL ECM KIT.

SEE PREVIOUS PAGE FOR DIMENSIONS WITHOUT ECM KIT

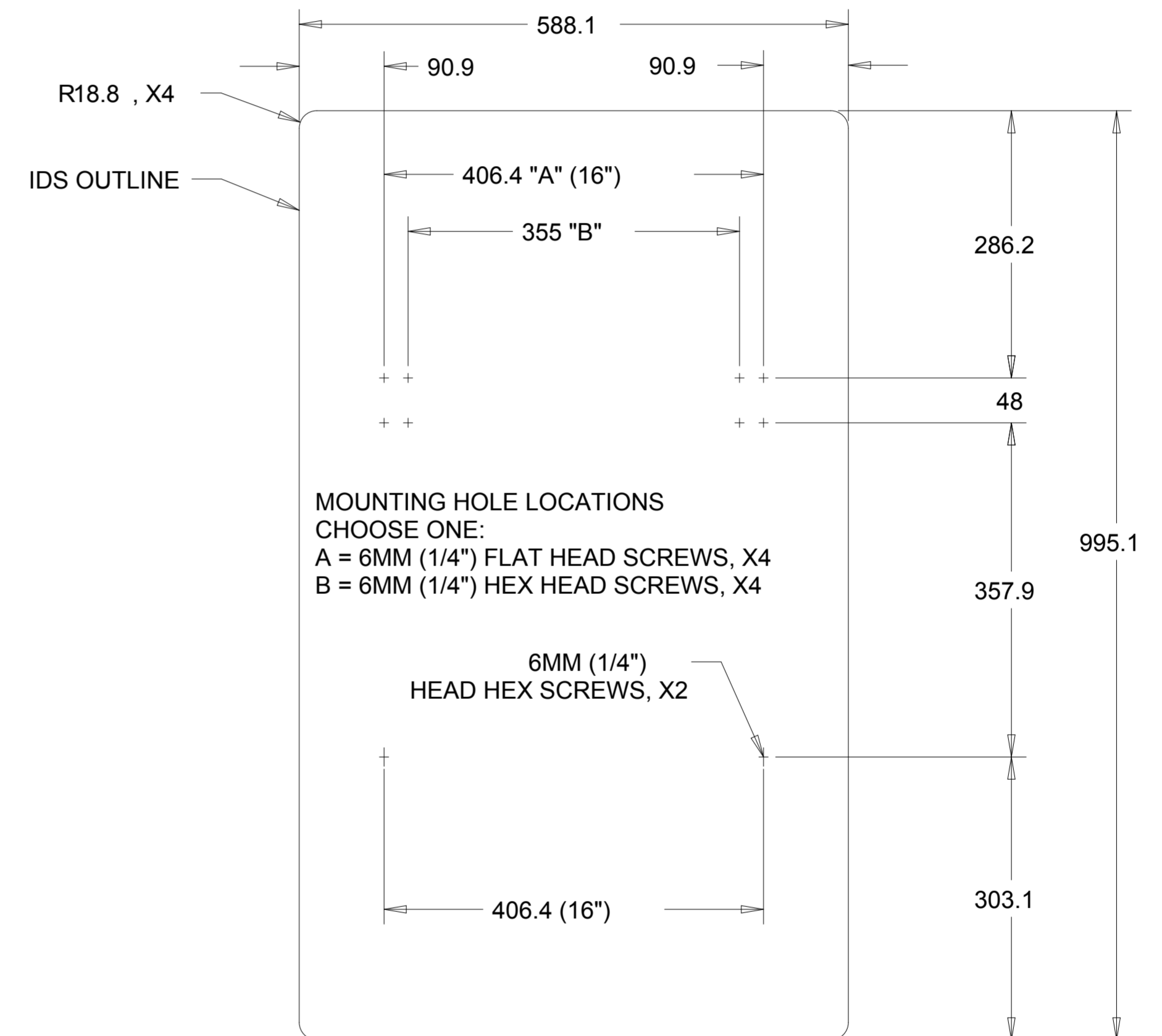


MOUNTING HOLE LOCATIONS FOR
 OPTIONAL LOW PROFILE WALLMOUNT KIT P/N E275050

LANDSCAPE ORIENTATION



PORTRAIT ORIENTATION



OPTIONAL SIDE MOUNT BRACKET KIT P/N E329508
 4 ADJUSTABLE BRACKETS INCLUDED IN KIT
 CUSTOMER ASSEMBLED

